

ELATION[®]



 **CYC L**
user manual

©2023 ELATION PROFESSIONAL all rights reserved. Information, specifications, diagrams, images, and instructions herein are subject to change without notice. ELATION PROFESSIONAL logo and identifying product names and numbers herein are trademarks of ELATION PROFESSIONAL. Copyright protection claimed includes all forms and matters of copyrightable materials and information now allowed by statutory or judicial law or hereinafter granted. Product names used in this document may be trademarks or registered trademarks of their respective companies and are hereby acknowledged. All non-ELATION brands and product names are trademarks or registered trademarks of their respective companies.

ELATION PROFESSIONAL and all affiliated companies hereby disclaim any and all liabilities for property, equipment, building, and electrical damages, injuries to any persons, and direct or indirect economic loss associated with the use or reliance of any information contained within this document, and/or as a result of the improper, unsafe, insufficient and negligent assembly, installation, rigging, and operation of this product.

Elation Professional USA | 6122 S. Eastern Ave. | Los Angeles, CA. 90040
 323-582-3322 | 323-832-9142 fax | www.elationlighting.com | info@elationlighting.com

Elation Professional B.V. | Junostraat 2 | 6468 EW Kerkrade, The Netherlands
 +31 45 546 85 66 | +31 45 546 85 96 fax | www.elationlighting.eu | info@elationlighting.eu

Elation Professional Mexico
 AV Santa Ana 30 | Parque Industrial Lerma, Lerma, Mexico 52000
 +52 (728) 282-7070

DOCUMENT VERSION



Due to additional product features and/or enhancements, an updated version of this document may be available online. Please scan the QR Code with your mobile device or visit www.elationlighting.eu for the latest revision/update of this manual, before installation and/or programming.

| Date | Document Version | Software Version | DMX Channel Mode | Notes |
|------------|------------------|------------------|--|-----------------|
| 10/18/2023 | 1.0 | 1.0.1A | 1ch, 4ch, 4ch, 4ch, 11ch, 12ch, 13ch, 16ch, 19ch, 20ch, 31ch, 32ch, 56ch | Initial Release |
| | | | | |
| | | | | |
| | | | | |
| | | | | |

CONTENTS

| | |
|---|-----------|
| General Information | 4 |
| Limited Warranty | 5 |
| Safety Guidelines | 6 |
| Overview | 8 |
| Installation Guidelines | 10 |
| Art-Net, sACN Connection | 15 |
| Accessory Installation: Lens | 16 |
| Accessory Operation: Adjustable Glare Shield | 17 |
| Remote Device Management (RDM) | 18 |
| System Menu Software Update | 19 |
| Cyclorama EdgeLight Feature | 22 |
| Dimmer Curves and Dimmer Modes | 23 |
| DMX Traits | 24 |
| Color Temperature | 29 |
| Virtual Gel Swatch Book Colors | 30 |
| Error Codes Pixel Grouping | 31 |
| Maintenance Guidelines | 32 |
| Specifications | 33 |
| Dimensional Drawings | 34 |

GENERAL INFORMATION

INTRODUCTION

Please read and understand the instructions in this manual carefully and thoroughly before attempting to operate this device. These instructions contain important safety and use information. **This device is intended for use by professionals only, and is not suitable for private use.**

UNPACKING

Every device has been thoroughly tested and has been shipped in perfect operating condition. Carefully check the shipping carton for damage that may have occurred during shipping. If the carton is damaged, carefully inspect the device for damage, and be sure all accessories necessary to install and operate the device have arrived intact. In the event that damage has been found or parts are missing, please contact our customer support team for further instructions. Please do not return this device to your dealer without first contacting customer support. Please do not discard the shipping carton in the trash. Please recycle whenever possible.

INCLUDED ITEMS

2x Omega Brackets
1x Lens
1x Adjustable Glare Shield
IP65 Locking Power Cable

IP RATING

An IP rated lighting fixture has been designed with an enclosure that effectively protects the ingress (entry) of external foreign objects such as dust and/or water. The Ingress Protection (IP) rating system is commonly expressed as "IP" followed by two numbers (i.e. IP20), where the numbers define the degree of protection. The first digit (Foreign Bodies Protection) indicates the extent of protection against particles entering the fixture and the second digit (Water Protection) indicates the extent of protection against water entering the fixture.

An IP20 rated lighting fixture, such as this one, has been designed and tested to protect against the ingress of solids as small as the size of an adult finger (approximately 12.5mm), but is NOT protected against liquid intrusion of any kind.

CUSTOMER SUPPORT - Contact ELATION Service for any product related service and support needs. Also visit forums.elationlighting.com with questions, comments, or suggestions.

ELATION SERVICE USA - Monday - Friday 8:00am to 4:30pm PST
323-582-3322 | Fax 323-832-9142 | support@elationlighting.com

ELATION SERVICE EUROPE - Monday - Friday 08:30 to 17:00 CET
+31 45 546 85 63 | Fax +31 45 546 85 96 | support@elationlighting.eu

REPLACEMENT PARTS please visit parts.elationlighting.com

THERE ARE NO USER SERVICEABLE PARTS INSIDE THIS UNIT. DO NOT ATTEMPT ANY REPAIRS YOURSELF, AS DOING SO WILL VOID YOUR MANUFACTURER'S WARRANTY. DAMAGES RESULTING FROM MODIFICATIONS TO THIS FIXTURE AND/OR THE DISREGARD OF SAFETY INSTRUCTIONS AND GUIDELINES IN THIS MANUAL VOID THE MANUFACTURER'S WARRANTY AND ARE NOT SUBJECT TO ANY WARRANTY CLAIMS AND/OR REPAIRS.

It is strongly recommended to power the fixture down completely when not in use. Doing so will reduce wear on the fixture due to sustained or extended operational periods, thereby maximizing its operational lifespan.

LIMITED WARRANTY

- A. Elation Professional hereby warrants, to the original purchaser, Elation Professional products to be free of manufacturing defects in material and workmanship for a period of two years (730 days), and Elation Professional product rechargeable batteries to be free of manufacturing defects in material and workmanship for a period of six months (180 days), from the original date of purchase. This warranty excludes discharge lamps and all product accessories. This warranty shall be valid only if the product is purchased within the United States of America, including possessions and territories. It is the owner's responsibility to establish the date and place of purchase by acceptable evidence, at the time service is sought.
- B. For warranty service, send the product only to the Elation Professional factory. All shipping charges must be pre-paid. If the requested repairs or service (including parts replacement) are within the terms of this warranty, Elation Professional will pay return shipping charges only to a designated point within the United States. If any product is sent, it must be shipped in its original package and packaging material. No accessories should be shipped with the product. If any accessories are shipped with the product, Elation Professional shall have no liability what so ever for loss and/or or damage to any such accessories, nor for the safe return thereof.
- C. This warranty is void if the product serial number and/or labels are altered or removed; if the product is modified in any manner which Elation Professional concludes, after inspection, affects the reliability of the product; if the product has been repaired or serviced by anyone other than the Elation Professional factory unless prior written authorization was issued to purchaser by Elation Professional; if the product is damaged because not properly maintained as set forth in the product instructions, guidelines and/or user manual.
- D. This is not a service contract, and this warranty does not include any maintenance, cleaning or periodic check-up. During the periods as specified above, Elation Professional will replace defective parts at its expense, and will absorb all expenses for warranty service and repair labor by reason of defects in material or workmanship. The sole responsibility of Elation Professional under this warranty shall be limited to the repair of the product, or replacement thereof, including parts, at the sole discretion of Elation Professional. All products covered by this warranty were manufactured after January 1, 1990, and bare identifying marks to that effect.
- E. Elation Professional reserves the right to make changes in design and/or performance improvements upon its products without any obligation to include these changes in any products theretofore manufactured.
- F. No warranty, whether expressed or implied, is given or made with respect to any accessory supplied with the products described above. Except to the extent prohibited by applicable law, all implied warranties made by Elation Professional in connection with this product, including warranties of merchantability or fitness, are limited in duration to the warranty periods set forth above. And no warranties, whether expressed or implied, including warranties of merchantability or fitness, shall apply to this product after said periods have expired. The consumer's and/or dealer's sole remedy shall be such repair or replacement as is expressly provided above; and under no circumstances shall Elation Professional be liable for any loss and/or damage, direct and/or consequential, arising out of the use of, and/or the inability to use, this product.
- G. This warranty is the only written warranty applicable to Elation Professional products and supersedes all prior warranties and written descriptions of warranty terms and conditions heretofore published.

WARRANTY RETURNS

All returned service items whether under warranty or not, must be freight pre-paid and accompanied by a return authorization (R.A.) number. The R.A. number must be clearly written on the outside of the return package. A brief description of the problem, as well as the R.A. number, must also be written down on a piece of paper and included in the shipping container. If the unit is under warranty, you must provide a copy of your proof of purchase invoice. Items returned without an R.A. number clearly marked on the outside of the package will be refused and returned at customer's expense. You may obtain an R.A. number by contacting customer support.

SAFETY GUIDELINES

This fixture is a sophisticated piece of electronic equipment. To guarantee smooth operation, it is important to follow all instructions and guidelines in this manual. Elation Professional is not responsible for injury and/or damages resulting from the misuse of this fixture due to the disregard of the information printed in this manual. Only qualified and/or certified personnel should perform installation of this fixture and only the original rigging parts included with this fixture should be used for installation. Any modifications to the fixture and/or the included mounting hardware will void the original manufacturer's warranty and increase the risk of damage and/or personal injury.



PROTECTION CLASS 1 - FIXTURE MUST BE PROPERLY GROUNDED.



THERE ARE NO USER SERVICEABLE PARTS INSIDE THIS UNIT. DO NOT ATTEMPT ANY REPAIRS YOURSELF, AS DOING SO WILL VOID YOUR MANUFACTURER'S WARRANTY. DAMAGES RESULTING FROM MODIFICATIONS TO THIS DEVICE AND/OR THE DISREGARD OF SAFETY INSTRUCTIONS AND GUIDELINES IN THIS MANUAL VOID THE MANUFACTURER'S WARRANTY AND ARE NOT SUBJECT TO ANY WARRANTY CLAIMS AND/OR REPAIRS.



**DO NOT PLUG THIS UNIT INTO A DIMMER PACK!
NEVER OPERATE THIS UNIT WITH THE CASING REMOVED!
DISCONNECT POWER BEFORE PERFORMING MAINTENANCE!
NEVER TOUCH DURING OPERATION, AS FIXTURE SURFACES MAY BE HOT!
KEEP FLAMMABLE MATERIALS AWAY FROM FIXTURE!**



SENSITIVE PERSONS MAY SUFFER AN EPILEPTIC SHOCK!



**FOR USE IN INDOOR OR DRY LOCATIONS ONLY!
DO NOT EXPOSE TO RAIN AND/OR MOISTURE!**



THIS FIXTURE IS IP20 RATED, AND HAS BEEN DESIGNED AND TESTED TO PROTECT AGAINST THE INGRESS OF SOLIDS AS SMALL AS THE SIZE OF AN ADULT FINGER (APPROXIMATELY 12.5MM), BUT IS NOT PROTECTED AGAINST LIQUID INTRUSION OF ANY KIND.

SAFETY GUIDELINES

DO NOT TOUCH the fixture housing during operation.

DO NOT shake fixture, and avoid brute force when installing and/or operating fixture.

DO NOT operate fixture if the power cord is frayed, crimped, damaged and/or if any of the power cord connectors are damaged or do not fit into the fixture securely with ease.

NEVER force a power cord connector into the fixture. If the power cord or any of its connectors are damaged, replace it immediately with a new one of the same power rating.

TURN OFF the power and allow approximately 15 minutes for the fixture to cool down before servicing.

ALWAYS disconnect fixture from power before performing any service and/or cleaning procedure.

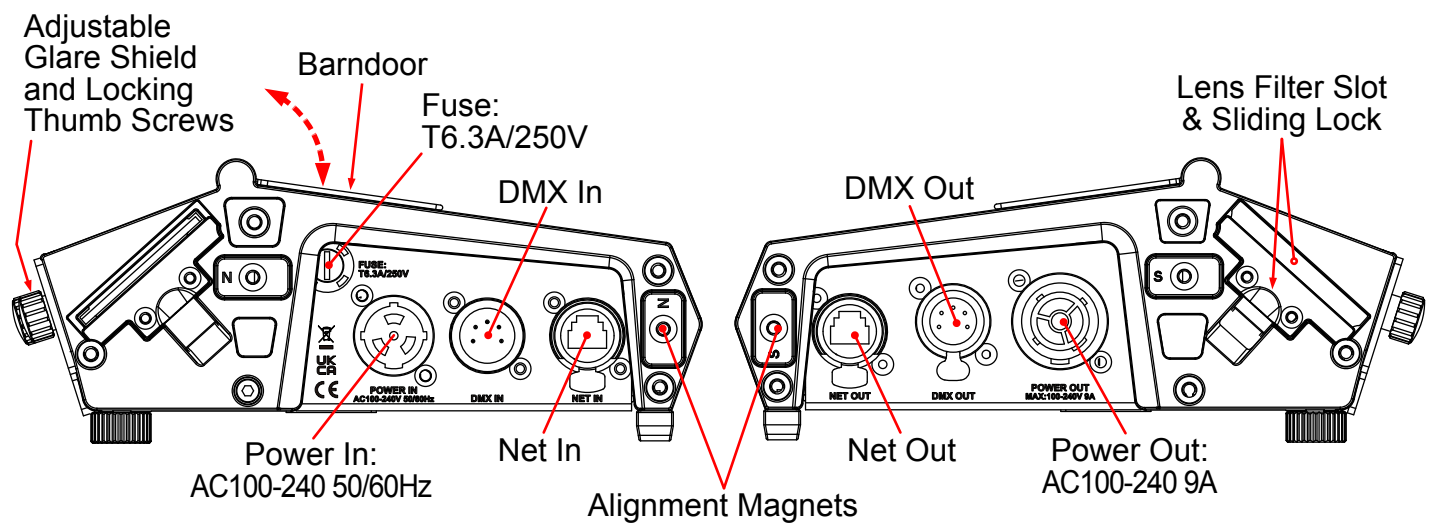
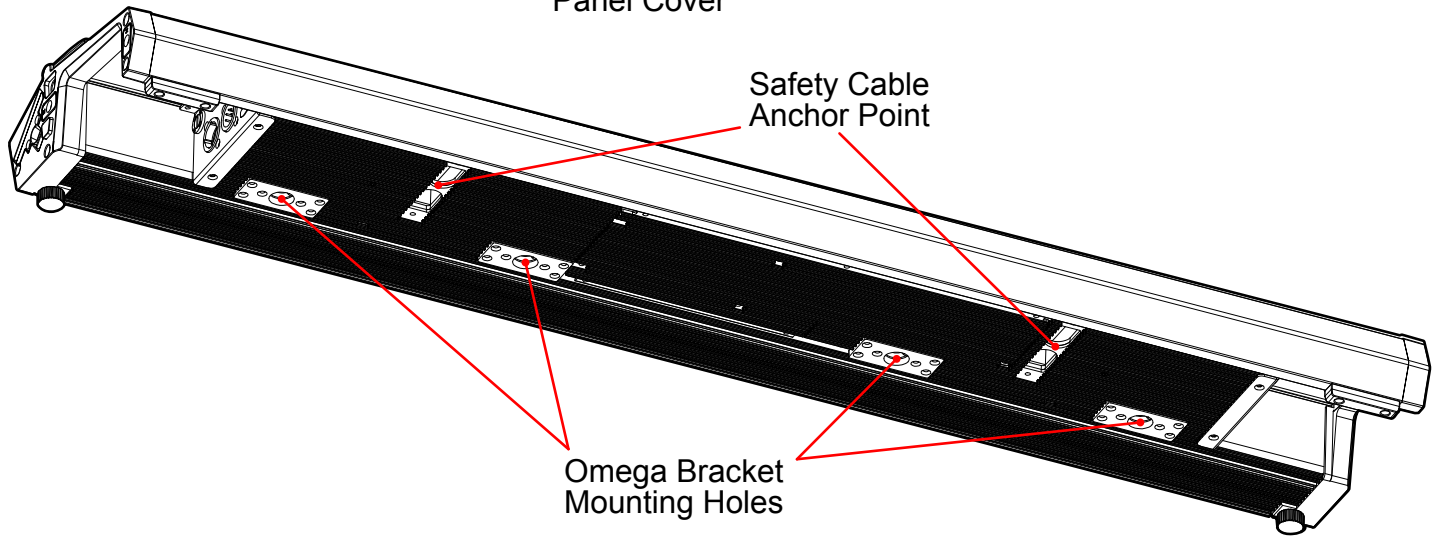
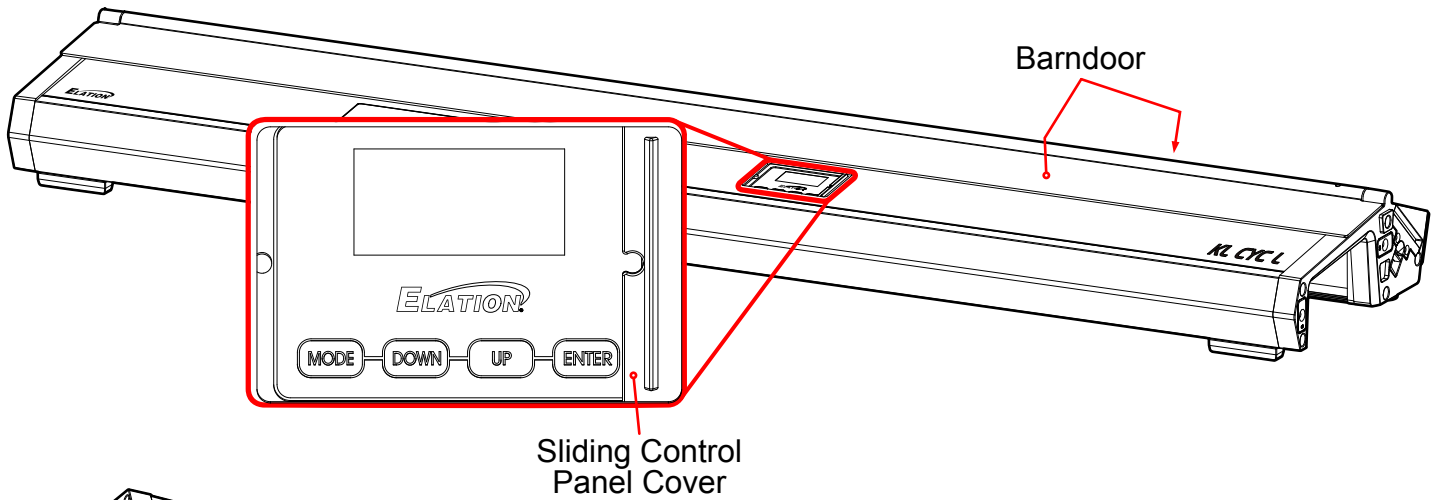
ONLY handle power cord by the plug end. Never pull plug out by tugging the wire portion of the cord.

During the initial operation of this fixture, a light smoke or smell may emit from the interior of the fixture. This is a normal process and is caused by excess paint in the interior of the casing burning off from the heat associated with the LED and will decrease gradually over time.

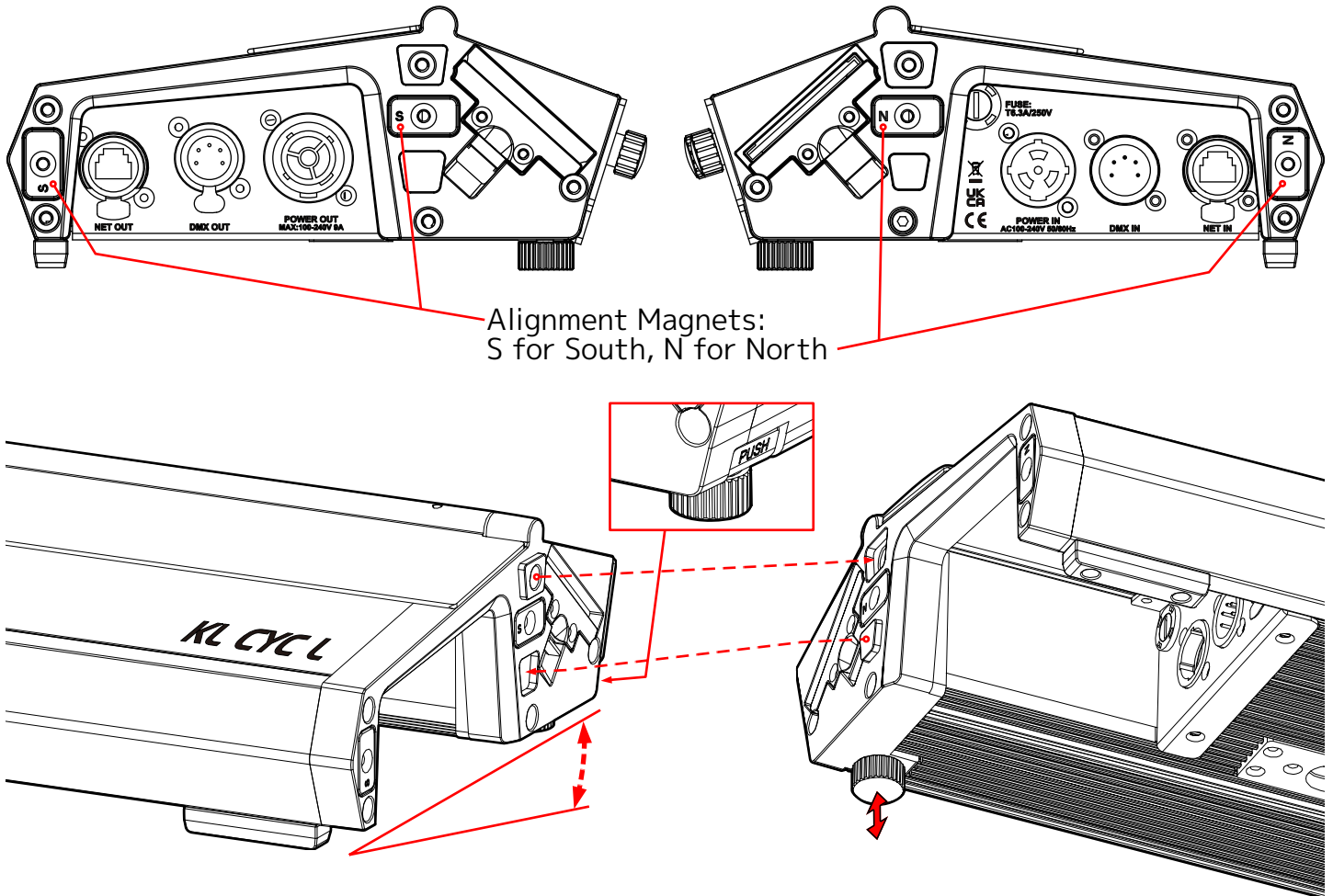
Consistent operational breaks will ensure fixture will function properly for many years.

ONLY use the original packaging and materials to transport the fixture for service.

OVERVIEW



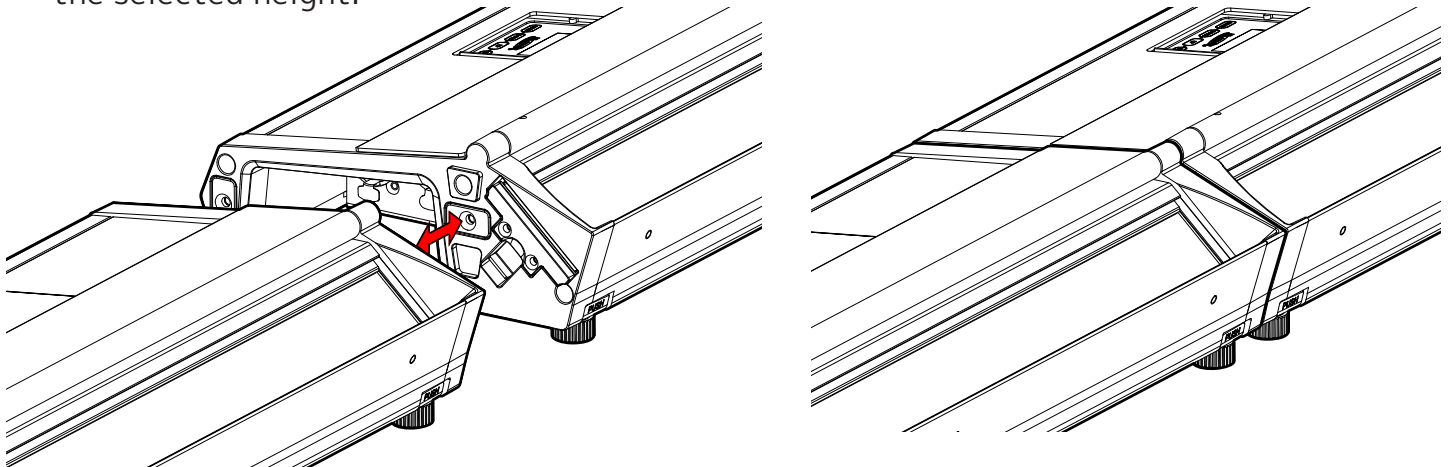
OVERVIEW



The corollary alignment features of the fixture, magnets, projections, and cavities, are designed to interlock when placed adjacent to each other with the same orientation. The front of the fixture can be raised or lowered to match these interlocking features, or to adjust the projection height of the fixture.

To adjust the fixture's height, follow these steps:

1. Lift the fixture slightly off the surface.
2. Locate the push-button positioned above the front foot.
3. Depress the push-button. This action will cause the foot to lower.
4. Once the foot reaches the desired height, release the button. The foot will lock in place at the selected height.



With the heights of adjacent fixtures adjusted to a matching height, orient the alignment features and move them together to allow their magnets to connect them and maintain their relative positions.

INSTALLATION GUIDELINES



FLAMMABLE MATERIAL WARNING

Keep fixture minimum 5.0 feet (1.5m) away from flammable materials and/or pyrotechnics.



ELECTRICAL CONNECTIONS

A qualified electrician should be used for all electrical connections and/or installations.



INDOOR USE ONLY! THIS DEVICE IS NOT INTENDED FOR OUTDOOR USAGE, OR EXPOSURE TO RAIN OR MOISTURE! USE OF THIS DEVICE OUTDOORS VOIDS YOUR MANUFACTURER'S WARRANTY!



DO NOT PERFORM THE INSTALLATION YOURSELF IF YOU ARE NOT QUALIFIED TO DO SO!

Fixture **MUST** be installed following all local, national, and country commercial electrical and construction codes and regulations.

Before rigging/mounting a single fixture or multiple fixtures to any metal truss/structure or placing the fixture(s) on any surface, a professional equipment installer **MUST** be consulted to determine if the metal truss/structure or surface is properly certified to safely hold the combined weight of the fixture(s), clamps, cables, and accessories.

Maximum fixture ambient operating temperature is **113°F (45°C)**. Do not operate this fixture when ambient temperature exceeds this rating.

Overhead rigging requires extensive experience, including calculating working load limits, knowledge of installation material being used, and periodic safety inspection of all installation material and the fixture. If you lack these qualifications, do not attempt the installation yourself. Improper installation can result in bodily injury.

Fixture(s) should be installed in areas outside walking paths, seating areas, or areas where unauthorized personnel might reach the fixture by hand.

NEVER stand directly below the fixture(s) when rigging, removing, or servicing.

Overhead fixture installation must always be secured with a secondary safety attachment, such as an appropriately rated safety cable.

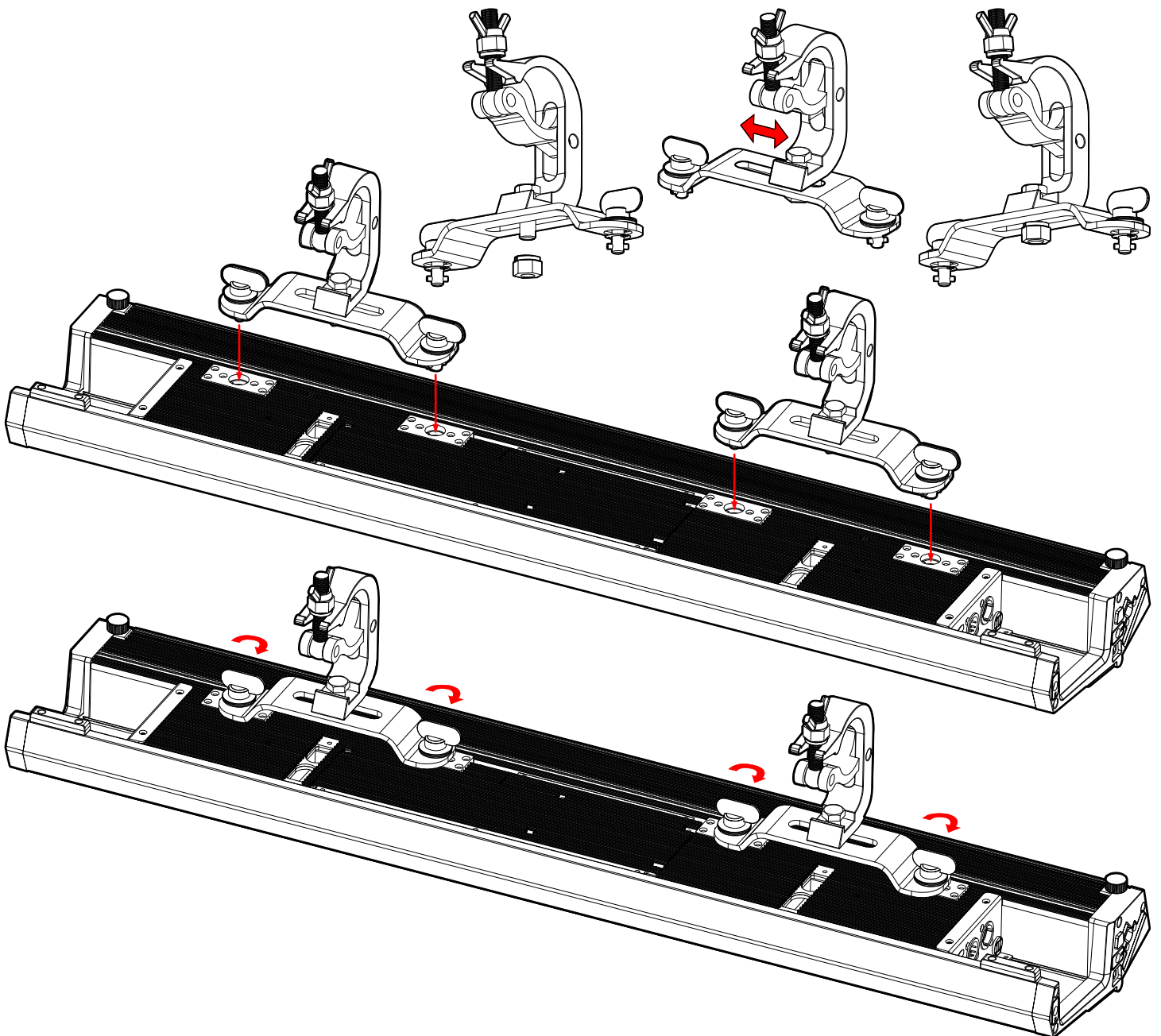
INSTALLATION GUIDELINES

RIGGING

Overhead rigging requires extensive experience, including calculating working load limits, knowledge of installation material being used, and periodic safety inspection of all installation material and the fixture, among other things. If you lack these qualifications, do not attempt the installation yourself. Improper installation can result in bodily injury.

OMEGA BRACKETS WITH CLAMP INSTALLATION

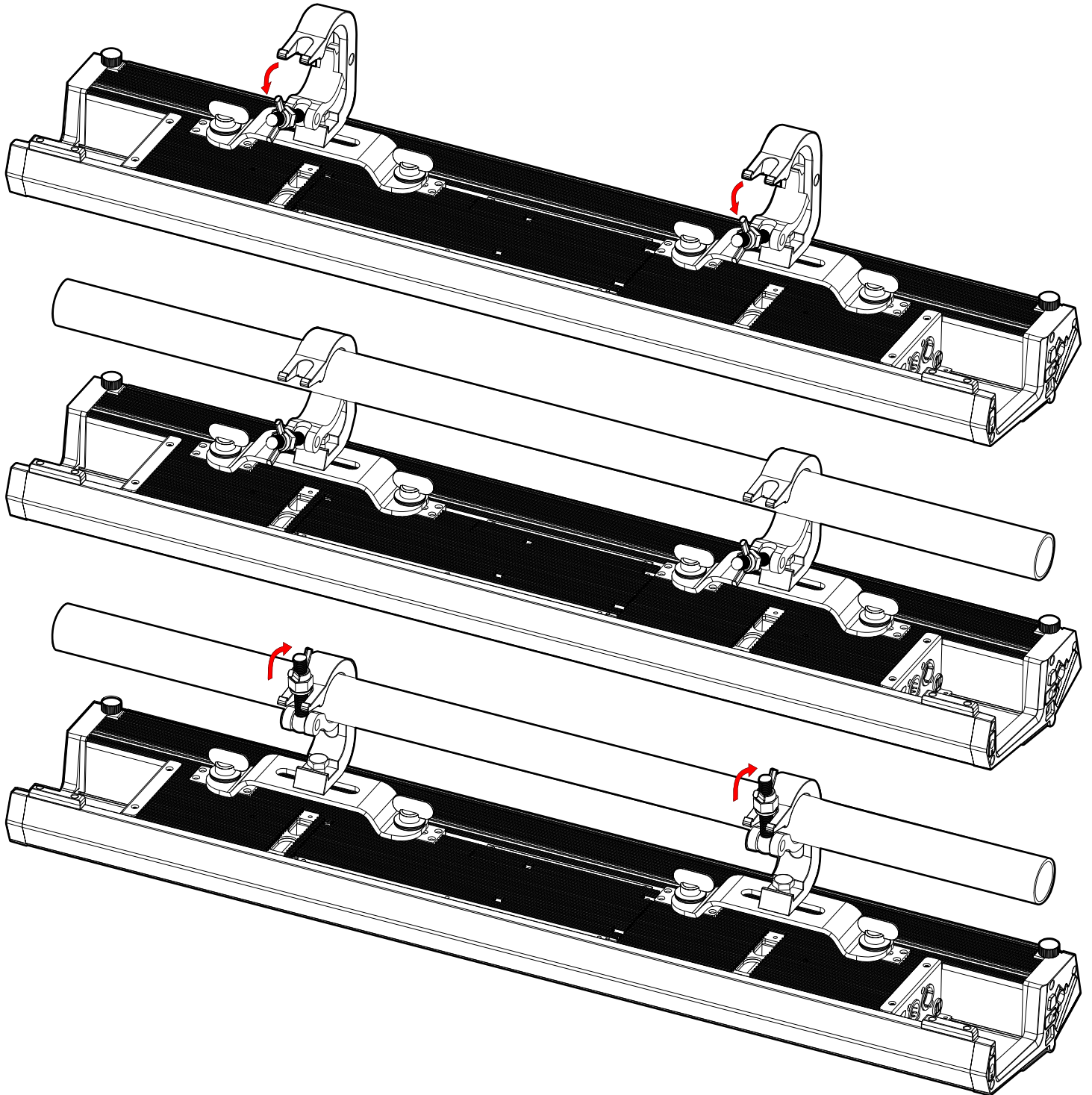
Insert the Omega Brackets into the matching holes on the bottom of the fixture. Note that Omega Brackets are slotted to allow positional adjustment. Secure the Omega Brackets to the fixture by turning each quick-lock fastener $\frac{1}{4}$ turn clockwise; making sure the fastener is completely locked. Omega Brackets can be inserted into the fixture base as illustrated below.



INSTALLATION GUIDELINES

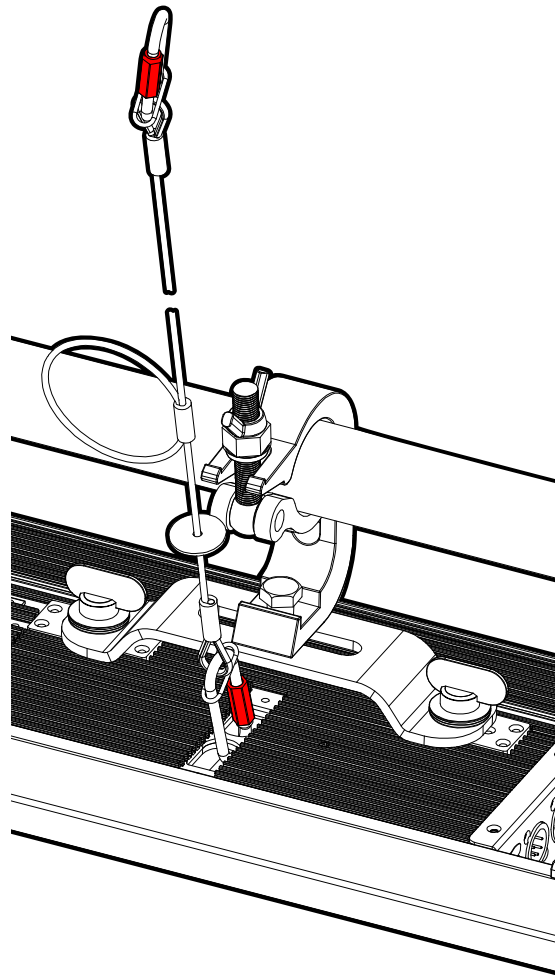
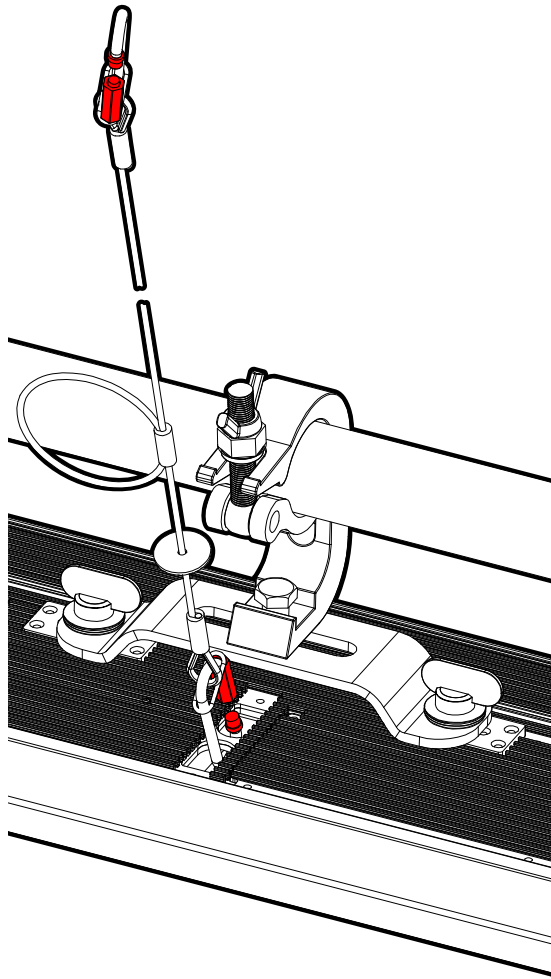
MOUNTING THE FIXTURE ON A TRUSS USING CLAMPS WITH OMEGA BRACKET

When mounting the fixture to a truss, be sure to secure an appropriately rated professional grade rigging clamp to the included **Omega Brackets** using an M10 screw fitted through the center hole of the **Omega Brackets**. The fixture provides a built-in rigging point for a **SAFETY CABLE** (not included). Be sure to only use one of the designated rigging points for the safety cable and never secure a safety cable to a carrying handle.



INSTALLATION GUIDELINES

Please note that the designated safety cable rigging point is the only safe location to attach a safety cable! Never attach a safety cable to the mounting clamp bracket!

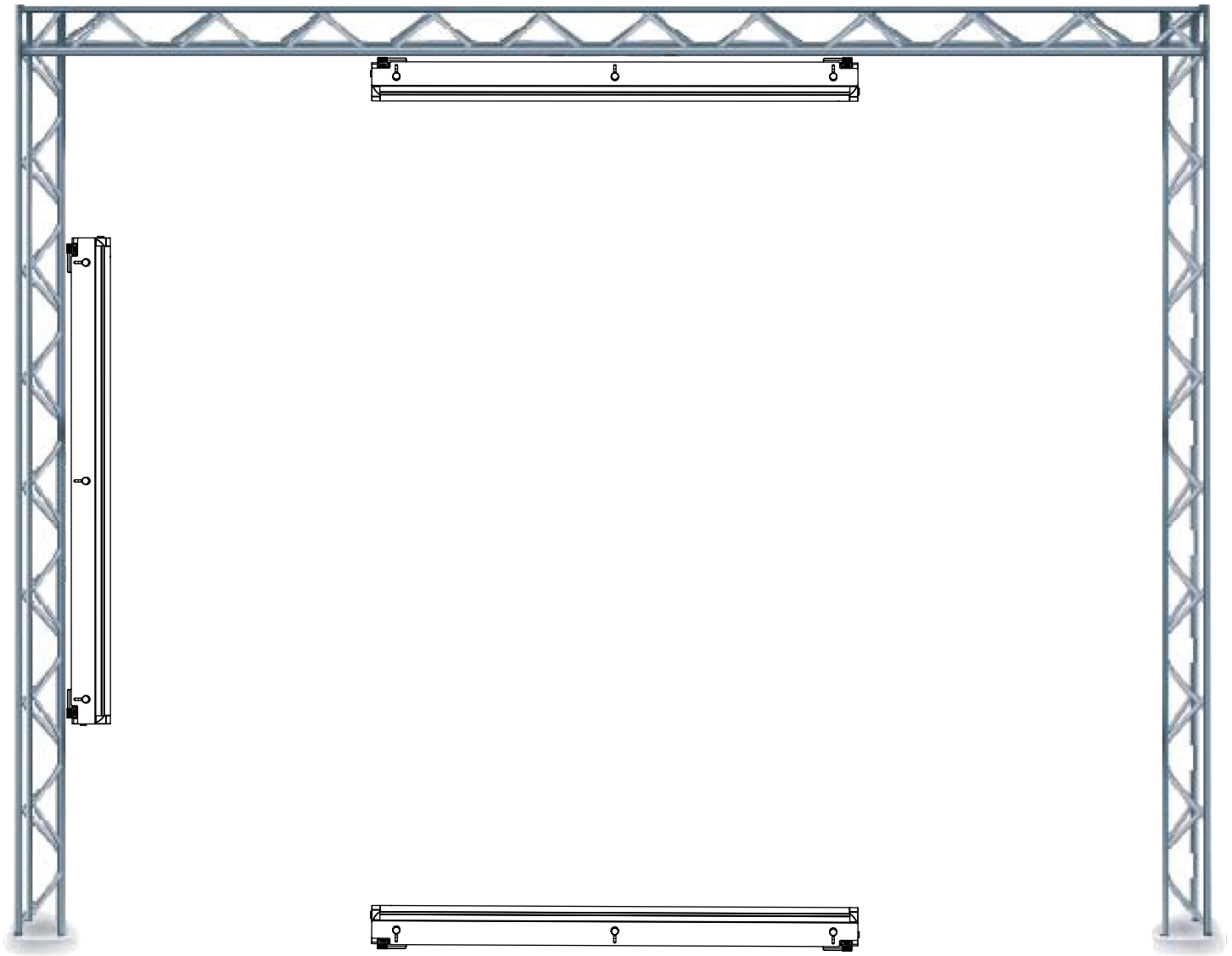


INSTALLATION GUIDELINES

RIGGING

Overhead rigging requires extensive experience, including among others calculating working load limits, installation material being used, and periodic safety inspection of all installation material and the fixture. If you lack these qualifications, do not attempt the installation yourself. Improper installation can result in bodily injury.

The Elation KL CYC L can be truss mounted in all positions.



FALLING FIXTURES CAN CAUSE SEVERE INJURY OR SERIOUS EQUIPMENT DAMAGE! FOR THIS REASON, FIXTURES SHOULD BE INSTALLED AND INSPECTED ONLY BY QUALIFIED PERSONNEL. DO NOT INSTALL THE UNIT IF YOU LACK THE QUALIFICATIONS TO DO SO, OR IF YOU HAVE DOUBTS ABOUT THE SAFETY AND SECURITY OF THE INSTALLATION SETUP OR LOCATION!

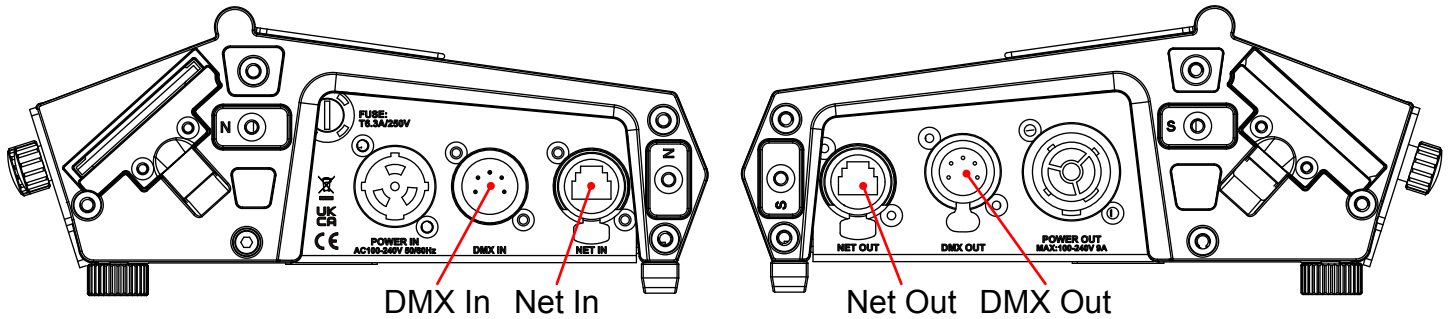


ALWAYS ATTACH A SAFETY CABLE WHENEVER INSTALLING THIS FIXTURE IN A SUSPENDED ENVIRONMENT TO ENSURE THE FIXTURE WILL NOT FALL IF THE CLAMP FAILS.

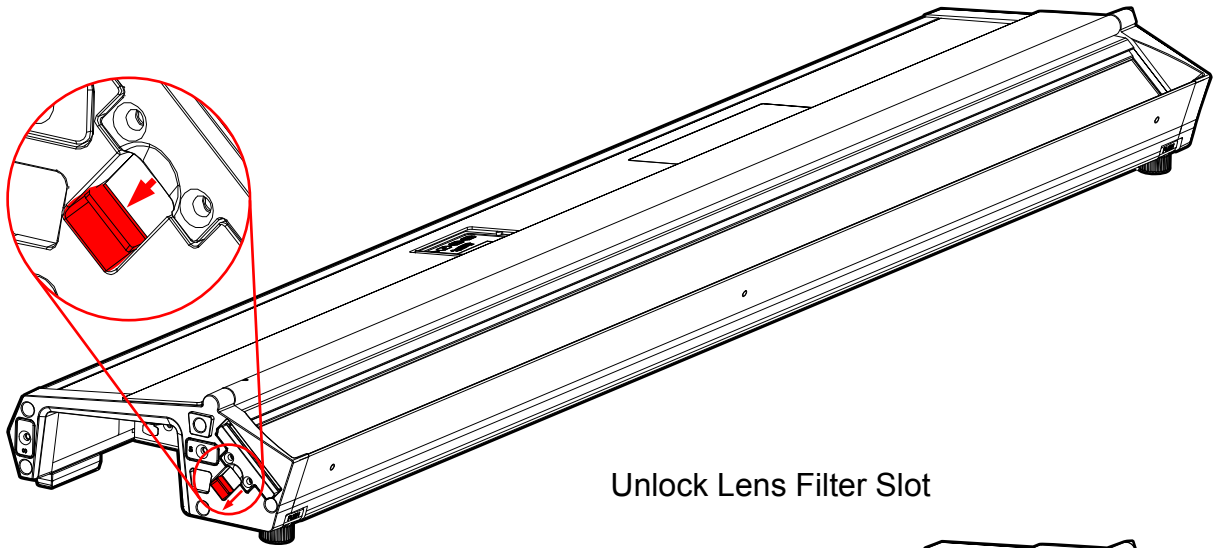
ART-NET | SACN CONNECTION

ART-NET | sACN CONNECTION

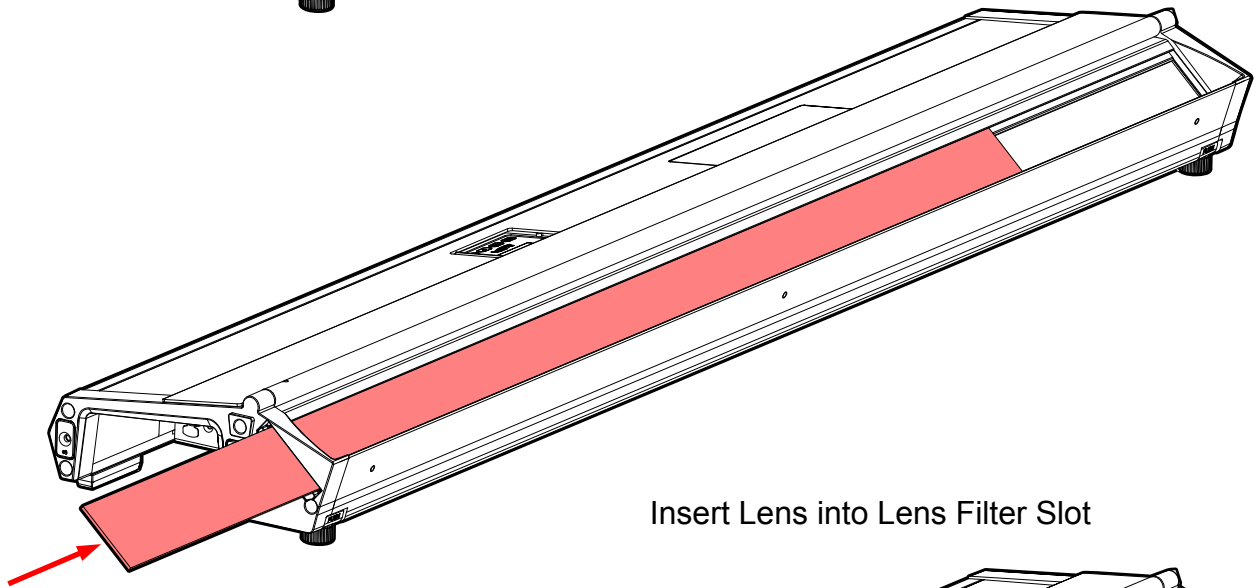
When connecting fixture to a network switch to control multiple devices, a **Gigabit Ethernet Switch** that supports **IGMP (Internet Group Management Protocol)** is required. Using a **Gigabit Ethernet Switch** that does not support **IGMP** can cause erratic behavior of all connected devices to the switch.



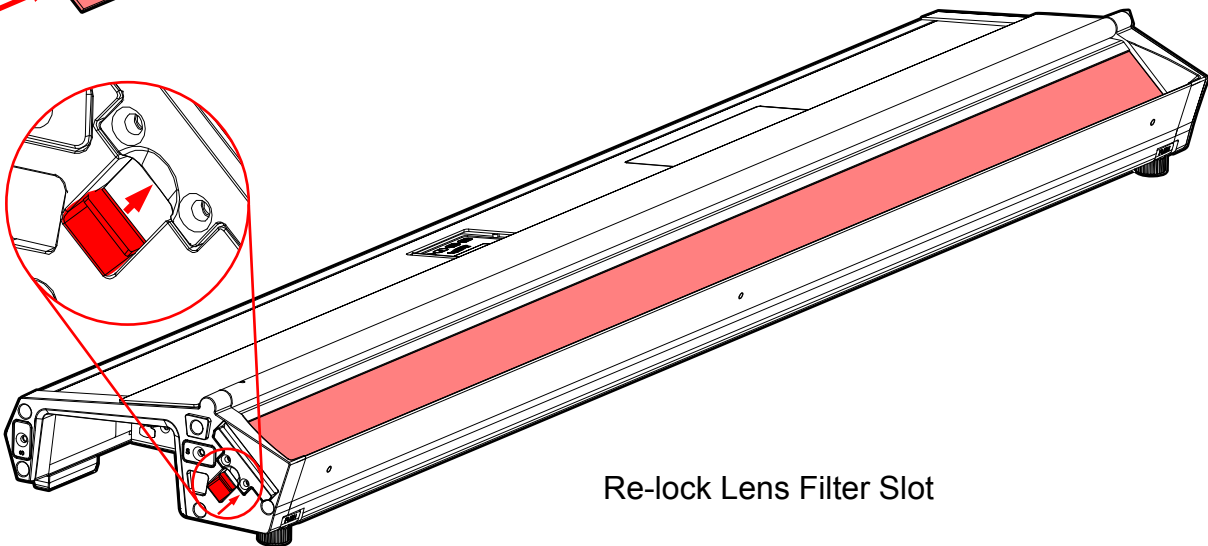
ACCESSORY INSTALLATION: LENS



Unlock Lens Filter Slot

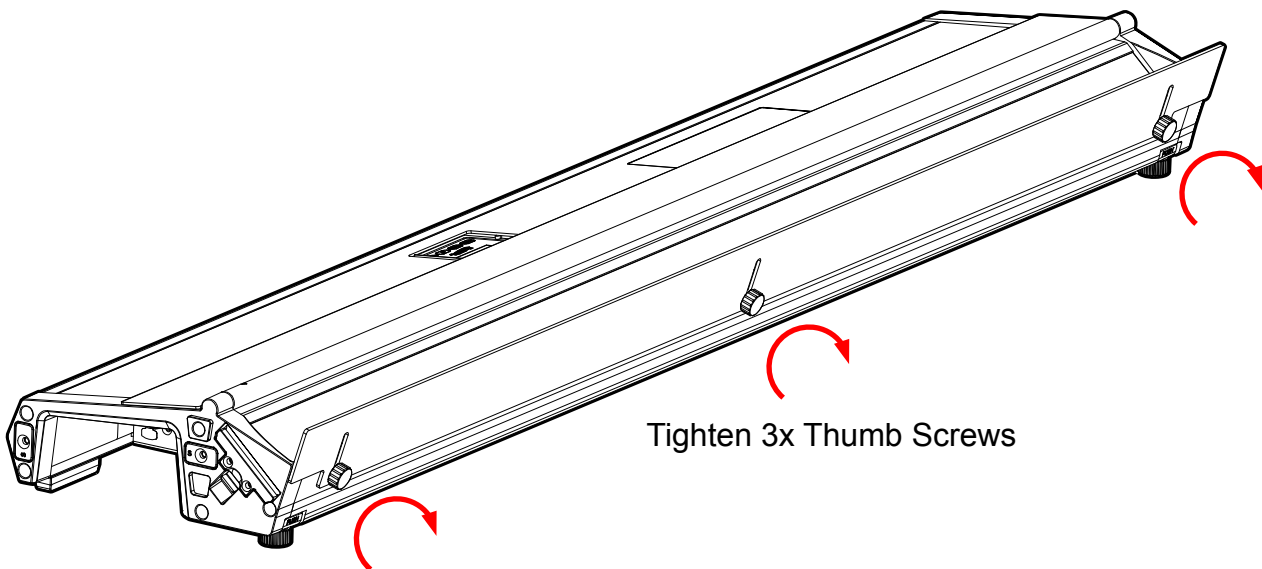
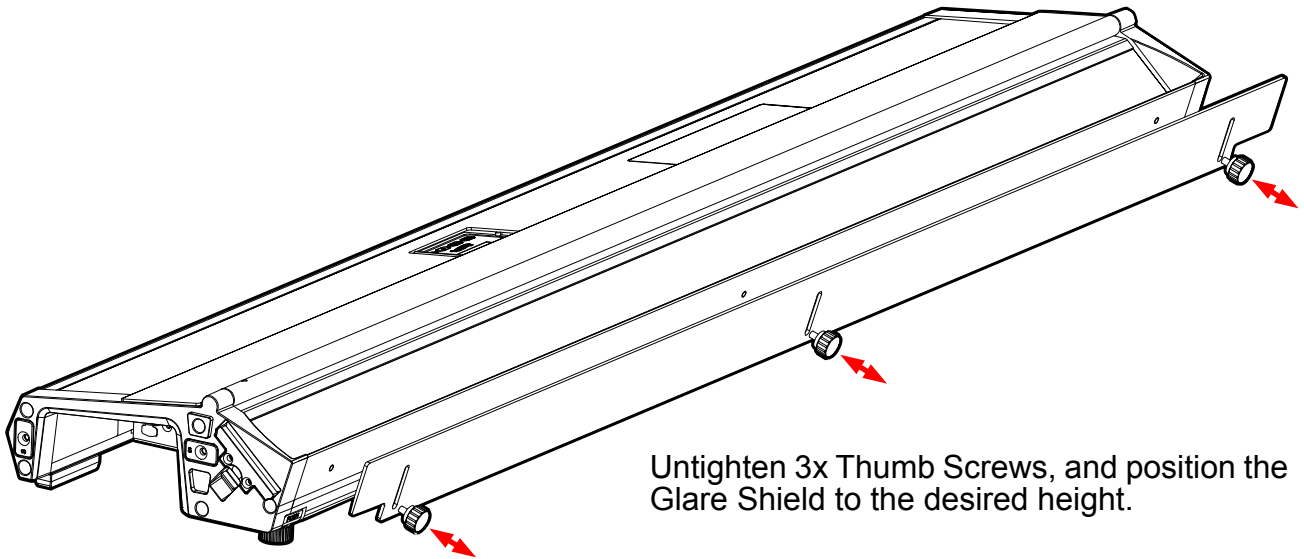


Insert Lens into Lens Filter Slot



Re-lock Lens Filter Slot

ACCESSORY OPERATION: ADJUSTABLE GLARE SHIELD



REMOTE DEVICE MANAGEMENT (RDM)

NOTE: In order for RDM to work properly, RDM enabled equipment must be used throughout the entire system, including DMX data splitters and wireless systems.

Remote Device Management (RDM) is a protocol that sits on top of the DMX512 data standard for lighting, allowing the DMX systems of the device to be managed, modified, and monitored remotely (hence, remote device management). This protocol is ideal for fixtures installed in locations that are not easily accessible.

With RDM, the DMX512 system becomes bi-directional, allowing a compatible RDM enabled controller to send out a signal to devices on the wire, as well as allowing the fixture to respond (known as a GET command). The controller can then use it's SET command to modify settings that would typically have to be changed or viewed directly via the unit's display screen, including the DMX Address, DMX Channel Mode, and Temperature Sensors.

FIXTURE RDM INFORMATION:

| RDM Code | Device ID | Device Model ID | Personality ID |
|----------|-----------|-----------------|--|
| 0x22A6 | 0000-FFFF | 0X004C | 1CH Dimmer 4CH RGB 4CH CCT 4CH HSI 12CH HSI Extended 11CH CMY 16CH CMY Extended 13CH Standard 20CH Extended 19CH Standard 2 Zone 32CH Extended 2 Zone 31CH Standard 4 Zone 56CH Extended 4 Zone |

Please be aware that not all RDM devices support all RDM features, and therefore it is important to check beforehand to ensure that the equipment that you are considering includes all of the features that you require.

The following parameters are accessible in RDM on this device:

| | |
|--------------------------------------|---|
| [0x0011] Proxied Device Count | [0x0405] Device Power Cycles |
| [0x0200] Sensor Definition | [0x0500] Display Invert |
| [0x0201] Sensor Value | [0x0603] Realtime Clock |
| [0x0080] Device Model Description | [0x0122] Default Slot Value |
| [0x0081] Manufacturer Label | [0x00B0] Language |
| [0x0082] Device Label | [0x00A0] Language Capabilities |
| [0x00E0] DMX Personality | [0x00C2] Boot Software Version Label |
| [0x00E1] DMX Personality Description | [0x00C1] Boot Software Version ID |
| [0x0400] Device Hours | [0x0070] Product Detail ID List |
| [0x0015] Comms Status | [0x0030] Status Messages |
| [0x0031] Status ID Description | [0x0000] Undefined PID [0x1100, (4352)] |
| [0x0032] Clear Status ID | |

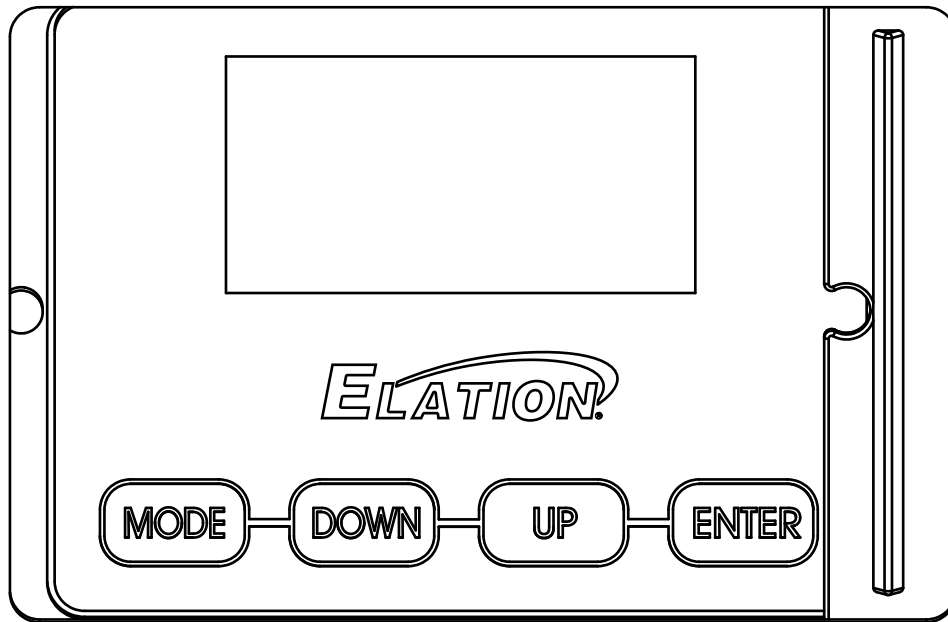
SYSTEM MENU

The fixture includes an easy to navigate system menu. The control panel display located on the top of the fixture provides access to the main system menu where all necessary system adjustments are made to the fixture.

- During normal operation, pressing the MODE button once will access the fixture's main menu.
- Once in the main menu you can navigate through the different functions and access the sub-menus with the DOWN and UP buttons.
- Once you reach a field that requires adjusting, press the ENTER button to activate that field and use the DOWN and UP buttons to adjust the field.
- Pressing the ENTER button once more will confirm the setting.
- Exit the main menu at any time without making any adjustments by pressing the MODE button.

NOTE: To access the LCD Menu Control Display via the internal battery, press and hold the **MODE/ESC** button for 10 seconds. The LCD Menu Control Display will shut **OFF** automatically about 1 minute from the last button press.

NOTE: The unit comes with a battery so that the menu options can be changed or setup without the need to plug the unit into power.



AN ELATION C-LOADER II CAN ALSO BE USED TO UPDATE THE FIXTURE TO THE LATEST SOFTWARE. To order this device, please contact Elation Support for further details..

**ELATION SERVICE USA - Monday - Friday 8:00am to 4:30pm PST
323-582-3322 | Fax 323-832-9142 | support@elationlighting.com**

**ELATION SERVICE EUROPE - Monday - Friday 08:30 to 17:00 CET
+31 45 546 85 63 | Fax +31 45 546 85 96 | support@elationlighting.eu**

SYSTEM MENU

| MAIN MENU | OPTIONS / VALUES (Default Settings in BOLD) | | |
|----------------|---|---|--|
| DMX | DMX Address | 001 - 512 | |
| | DMX Mode | 1CH Dimmer | |
| | | 4CH RGB | |
| | | 4CH CCT | |
| | | 4CH HSI | |
| | | 12CH HSI Extended | |
| | | 11CH CMY | |
| | | 16CH CMY Extended | |
| | | 13CH Standard | |
| | | 20CH Extended | |
| | | 19CH Standard 2 Zone | |
| | 32CH Extended 2 Zone | | |
| | 31CH Standard 4 Zone | | |
| | 56CH Extended 4 Zone | | |
| | No DMX Status | Hold Last | |
| Fade to Black | | | |
| EdgeLite | | | |
| Standalone | | | |
| Protocol | Select Signal | DMX / Art-Net / sACN / Aria In-DMX Out / DMX In - Aria Out | |
| | Universe | 1 | |
| | IP Address | 2.x.x.x | |
| | Subnet Mask | 255.0.0.0 | |
| | Ethernet DMX Out | Off /On | |
| Aria | Aria Channel | 0 -14 | |
| Control | Manual Control | Dimmer | 000% - 100% |
| | | CCT | 2400K - 8500 (Default = 6000K) |
| | | Green Shift | -100% ~ +100% (Default = 0) |
| | | Virtual Color | See Color Macros |
| | Primary | On / Off | |
| | Secondary | On / Off | |
| | Self Test | All | |
| Dimmer | | | |
| Color | | | |
| Settings | EdgeLight Options | Control | DMX / Always On / Disabled |
| | | Default Intensity | 1-10% (Default = 3%) |
| | | Color | Blue /Red |
| | Dim Modes | Standard | |
| | | Stage | |
| | | TV | |
| | | Architectural | |
| | | Theatre | |
| | Dim Curves | Stage 2 | |
| | | Dim Speed | 0s - 10s (Default = 0.1s) |
| | | Linear | |
| | | Square | |
| | LED Refresh Rate | Square Inverse | |
| | | S-Curve | |
| | | 900Hz, 1500Hz, 2500Hz, 4000Hz, 5000Hz, 6000Hz, 10KHz, 15KHz, 20KHz, 25KHz (Default = 1200 Hz) | |
| | LED Power Limit | 50% | |
| | | 60% | |
| 70% | | | |
| 80% | | | |
| 90% | | | |
| 100% | | | |
| Display | Screen Delay | 10s - 5min (Default = 1 min) | |
| | Screen Lock | Off , 10s - 5 min | |
| | Rotate Display | Yes / No / Auto | |
| Reset Defaults | Yes / No | | |

SYSTEM MENU

| MAIN MENU | OPTIONS / VALUES (Default Settings in BOLD) | | |
|---------------------------|---|------------------|--|
| Information | Time | Current Run Time | |
| | | Total Run Time | |
| | | Last Run Time | |
| | Temperature | Current | |
| | | Max Resettable | |
| | DMX Values | Red | |
| | | Green | |
| | | ... | |
| | Product IDs | RDM UID | |
| | Error Logs | Fixture Errors | |
| Software Version | Vx.x | | |
| Service (Passcode=050) | Update Firmware | On / Off | |
| | Calibration | Red 000 - 255 | |
| | | Green 000 - 255 | |
| | | Blue 000 - 255 | |
| | | Mint 000 - 255 | |
| | | Amber 000 - 255 | |
| | Reset Last Run | Yes / No | |
| Reset Error Logs | Yes / No | | |

CYCLORAMA EDGELIGHT FEATURE

With the understanding and intention that the KL CYC FC can excel in a footlight or foot ramp application, we aimed to integrate additional functions to enhance the fixture's capabilities and offer a distinctive safety feature. As a result, we developed what we term 'EdgeLight.'

The EdgeLight feature allows either the Red or Blue LEDs to emit a dim glow when the main output of the fixture is turned off or set to '0%.' This provides an indication of the stage or performance area's edge. The behavior of this function, along with the color and intensity of the LEDs, can be fully controlled by the user in multiple ways, ensuring that the effect doesn't detract from the performance or event, from the audience's perspective.

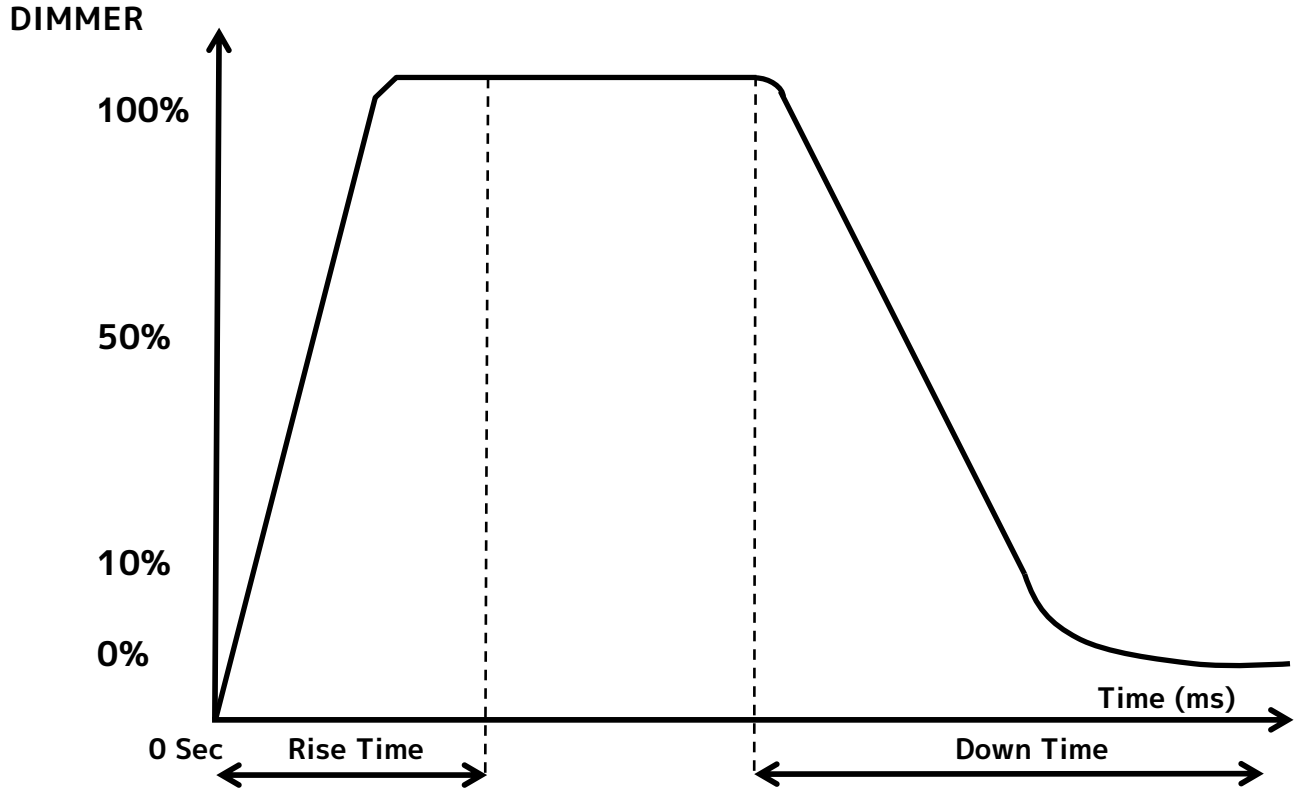
By default, the intensity of EdgeLight is governed by the DMX signal. To utilize EdgeLight, the fixture must be configured to a DMX mode that incorporates the 'EdgeLight Level' control channel. When using DMX control, users can activate or deactivate the effect and adjust the intensity level to suit their needs or preferences. The initial Blue color can also be changed to Red using the fixture's DMX control channel.

When the 'Control' setting is switched to 'Always On' through the fixture's menu or DMX control channel, the EdgeLight feature will automatically fade in whenever the main output of the fixture is set to '0%.' In this mode, the EdgeLight's color and intensity will be retrieved from the 'Default Intensity' and 'Color' settings in the menu. These settings cannot be altered by the 'EdgeLight Level' channel, provided it's present in the selected DMX mode. If desired, the default or recalled 'Color' of the effect can still be modified in the fixture's DMX control channel. Once the main output of the fixture rises above '0%', the effect will deactivate.

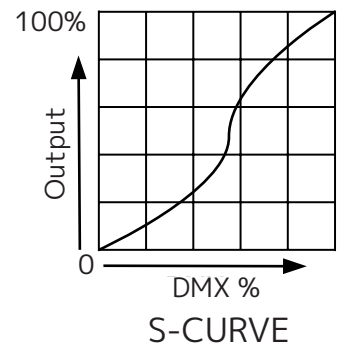
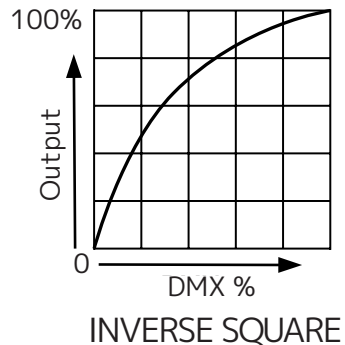
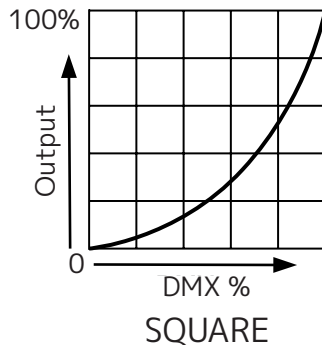
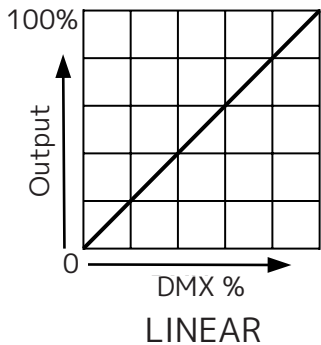
Changing the 'Control' setting to 'Disabled' renders the feature inaccessible.

Moreover, the EdgeLight function can be chosen to be reinstated in case the fixture loses the DMX signal. If the 'EdgeLight' option is selected within the 'No DMX Status' menu section, the fixture will recall the default EdgeLight menu settings after 3 seconds without a DMX signal. This mode will persist until a DMX signal is detected, at which point the EdgeLight will fade out and restore the current state set by DMX.

DIMMER CURVES AND DIMMER MODES



| Dimming Curve Ramp Effect | 0 sec Fade Time | | 1 sec Fade Time | |
|------------------------------|-----------------|----------------|-----------------|----------------|
| | Rise Time (ms) | Down Time (ms) | Rise Time (ms) | Down Time (ms) |
| Standard (default) | 0 | 0 | 0 | 0 |
| Stage | 780 | 1100 | 1540 | 1660 |
| TV | 1180 | 1520 | 1860 | 1940 |
| Architectural | 1380 | 1730 | 2040 | 2120 |
| Theatre | 1580 | 1940 | 2230 | 2280 |
| Stage 2 | 0 | 1100 | 0 | 1660 |



DMX TRAITS

| Dimmer 1Ch. | RGB 4Ch. | CCT 4Ch. | HSI 4Ch. | HSI EXT. 12Ch. | CMY 11Ch. | CMY EXT. 16Ch. | Std. 13Ch. | Ext. 20Ch. | Std. 2 Zone 19Ch. | Ext. 2 Zone 32Ch. | Ext. 4 Zone 31Ch. | Ext. 4 Zone 56Ch. | DMX Values | Function | Snap | Default Value |
|-------------|----------|----------|----------|----------------|-----------|----------------|------------|------------|-------------------|-------------------|-------------------|-------------------|------------|-----------------------------------|------|---------------|
| 1 | 1 | 1 | 1 | 1 | 1 | 1 | 1 | 1 | 1 | 1 | 1 | 1 | 0-255 | Dimmer Intensity 0 → 100% | | 0 |
| | | 2 | 2 | 2 | 2 | 2 | 2 | 2 | 2 | 2 | 2 | 2 | 0-255 | Dimmer Fine Fine Adjustment | | 0 |
| | | | | 3 | 3 | 3 | 3 | 3 | 3 | 3 | 3 | 3 | 0-255 | Shutter/Strobe Shutter closed | | 50 |
| | | | | | | | | | | | | | 32-63 | No function (shutter open) | | |
| | | | | | | | | | | | | | 64-95 | Strobe effect slow to fast | | |
| | | | | | | | | | | | | | 96-127 | No function (shutter open) | | |
| | | | | | | | | | | | | | 128-159 | Pulse-effect in sequences | | |
| | | | | | | | | | | | | | 160-191 | No function (shutter open) | | |
| | | | | | | | | | | | | | 192-223 | Random strobe effect slow to fast | | |
| | | | | | | | | | | | | | 224-255 | No function (shutter open) | | |
| | 2 | | | | | | 4 | 4 | 4 | 4 | 4 | 4 | 0-255 | Red 0 → 100% | | 0 |
| | | | | | | | | 5 | | 5 | | 5 | 0-255 | Red Fine Fine Adjustment | | 0 |
| | 3 | | | | | | 5 | 6 | 5 | 6 | 5 | 6 | 0-255 | Green 0 → 100% | | 0 |
| | | | | | | | | 7 | | | | | 0-255 | Green Fine Fine Adjustment | | 0 |
| | 4 | | | | | | 6 | 8 | 6 | 8 | 6 | 8 | 0-255 | Blue 0 → 100% | | 0 |
| | | | | | | | | 9 | | 9 | | 9 | 0-255 | Blue Fine Fine Adjustment | | 0 |
| | | | | | | | 7 | 10 | 7 | 10 | 7 | 10 | 0-255 | Mint 0 → 100% | | 0 |
| | | | | | | | | 11 | | 11 | | 11 | 0-255 | Mint Fine Fine Adjustment | | 0 |
| | | | | | | | 8 | 12 | 8 | 12 | 8 | 12 | 0-255 | Amber 0 → 100% | | 0 |
| | | | | | | | | 13 | | 13 | | 13 | 0-255 | Amber Fine Fine Adjustment | | 0 |
| | | | | | | | | | 9 | 14 | 9 | 14 | 0-255 | Red 2 0 → 100% | | 0 |
| | | | | | | | | | | 15 | | 15 | 0-255 | Red Fine 2 Fine Adjustment | | 0 |
| | | | | | | | | | 10 | 16 | 10 | 16 | 0-255 | Green 2 0 → 100% | | 0 |
| | | | | | | | | | | 17 | | 17 | 0-255 | Green Fine 2 Fine Adjustment | | 0 |
| | | | | | | | | | 11 | 18 | 11 | 18 | 0-255 | Blue 2 0 → 100% | | 0 |
| | | | | | | | | | | 19 | | 19 | 0-255 | Blue Fine 2 Fine Adjustment | | 0 |
| | | | | | | | | | 12 | 20 | 12 | 20 | 0-255 | Mint 2 0 → 100% | | 0 |
| | | | | | | | | | | 21 | | 21 | 0-255 | Mint Fine 2 Fine Adjustment | | 0 |
| | | | | | | | | | 13 | 22 | 13 | 22 | 0-255 | Amber 2 0 → 100% | | 0 |
| | | | | | | | | | | 23 | | 23 | 0-255 | Amber Fine 2 Fine Adjustment | | 0 |
| | | | | | | | | | 14 | 14 | 14 | 24 | 0-255 | Red 3 0 → 100% | | 0 |
| | | | | | | | | | | 15 | | 25 | 0-255 | Red Fine 3 Fine Adjustment | | 0 |

DMX TRAITS

| Dimmer 1Ch. | RGB 4Ch. | CCT 4Ch. | HSI 4Ch. | HSI EXT. 12Ch. | CMY 11Ch. | CMY EXT. 16Ch. | Std. 13Ch. | Ext. 20Ch. | Std. 2 Zone 19Ch. | Ext. 2 Zone 32Ch. | Ext. 4 Zone 31Ch. | Ext. 4 Zone 56Ch. | DMX Values | Function | Snap | Default Value |
|----------------|-------------|-------------|-------------|----------------------|--------------|----------------------|---------------|---------------|-------------------------|-------------------------|-------------------------|-------------------------|---------------|--|------|------------------|
| | | | | | | | | | | 16 | 15 | 26 | 0-255 | Green 3 0 → 100% | | 0 |
| | | | | | | | | | | 17 | | 27 | 0-255 | Green Fine 3 Fine Adjustment | | 0 |
| | | | | | | | | | | 18 | 16 | 28 | 0-255 | Blue 3 0 → 100% | | 0 |
| | | | | | | | | | | 19 | | 29 | 0-255 | Blue Fine 3 Fine Adjustment | | 0 |
| | | | | | | | | | | 20 | 17 | 30 | 0-255 | Mint 3 0 → 100% | | 0 |
| | | | | | | | | | | 21 | | 31 | 0-255 | Mint Fine 3 Fine Adjustment | | 0 |
| | | | | | | | | | | 22 | 18 | 32 | 0-255 | Amber 3 0 → 100% | | 0 |
| | | | | | | | | | | 23 | | 33 | 0-255 | Amber Fine 3 Fine Adjustment | | 0 |
| | | | | | | | | | | 14 | 19 | 34 | 0-255 | Red 4 0 → 100% | | 0 |
| | | | | | | | | | | 15 | | 35 | 0-255 | Red Fine 4 Fine Adjustment | | 0 |
| | | | | | | | | | | 16 | 20 | 36 | 0-255 | Green 4 0 → 100% | | 0 |
| | | | | | | | | | | 17 | | 37 | 0-255 | Green Fine 4 Fine Adjustment | | 0 |
| | | | | | | | | | | 18 | 21 | 38 | 0-255 | Blue 4 0 → 100% | | 0 |
| | | | | | | | | | | 19 | | 39 | 0-255 | Blue Fine 4 Fine Adjustment | | 0 |
| | | | | | | | | | | 20 | 22 | 40 | 0-255 | Mint 4 0 → 100% | | 0 |
| | | | | | | | | | | 21 | | 41 | 0-255 | Mint Fine 4 Fine Adjustment | | 0 |
| | | | | | | | | | | 22 | 23 | 42 | 0-255 | Amber 4 0 → 100% | | 0 |
| | | | | | | | | | | 23 | | 43 | 0-255 | Amber Fine 4 Fine Adjustment | | 0 |
| | | | | | 4 | 4 | | | | | | | 0-255 | Cyan 0 → 100% | | 0 |
| | | | | | | 5 | | | | | | | 0-255 | Cyan Fine Fine Adjustment | | 0 |
| | | | | | | 6 | | | | | | | 0-255 | Magenta 0 → 100% | | 0 |
| | | | | | | 7 | | | | | | | 0-255 | Magenta Fine Fine Adjustment | | 0 |
| | | | | | 6 | 8 | | | | | | | 0-255 | Yellow 0 → 100% | | 0 |
| | | | | | | 9 | | | | | | | 0-255 | Yellow Fine Fine Adjustment | | 0 |
| | | | 3 | 4 | 3 | 4 | | | | | | | 0-255 | Hue 0 → 360° | | 255 |
| | | | 4 | 5 | 4 | 5 | | | | | | | 0-255 | Saturation 0 → 100% | | 255 |

DMX TRAITS

| Dimmer 1Ch. | RGB 4Ch. | CCT 4Ch. | HSI 4Ch. | HSI EXT. 12Ch. | CMY 11Ch. | CMY EXT. 16Ch. | Std. 13Ch. | Ext. 20Ch. | Std. 2 Zone 19Ch. | Ext. 2 Zone 32Ch. | Ext. 4 Zone 31Ch. | Ext. 4 Zone 56Ch. | DMX Values | Function | Snap | Default Value |
|-------------|----------|----------|----------|----------------|-----------|----------------|------------|------------|-------------------|-------------------|-------------------|-------------------|------------|---------------------------------|------|---------------|
| | | 3 | | 6 | 7 | 10 | 9 | 14 | 14 | 24 | 24 | 44 | | Variable CCT | | 0 |
| | | | | | | | | | | | | | 0-26 | Open | | |
| | | | | | | | | | | | | | 27-85 | 2400K → 8500K (See Sheet) | | |
| | | | | | | | | | | | | | 86-255 | 8500K | | |
| | | | | | | | | | 15 | 25 | 25 | 45 | | Variable CCT 2 | | 0 |
| | | | | | | | | | | | | | 0-26 | Open | | |
| | | | | | | | | | | | | | 27-85 | 2400K → 8500K (See Sheet) | | |
| | | | | | | | | | | | | | 86-255 | 8500K | | |
| | | | | | | | | | | | 26 | 46 | | Variable CCT 3 | | 0 |
| | | | | | | | | | | | | | 0-26 | Open | | |
| | | | | | | | | | | | | | 27-85 | 2400K → 8500K (See Sheet) | | |
| | | | | | | | | | | | | | 86-255 | 8500K | | |
| | | | | | | | | | | | 27 | 47 | | Variable CCT 4 | | 0 |
| | | | | | | | | | | | | | 0-26 | Open | | |
| | | | | | | | | | | | | | 27-85 | 2400K → 8500K (See Sheet) | | |
| | | | | | | | | | | | | | 86-255 | 8500K | | |
| | | | | 7 | 8 | 11 | 10 | 15 | 16 | 26 | 28 | 48 | | CCT Cross Fade | | 0 |
| | | | | | | | | | | | | | 0 | CCT | | |
| | | | | | | | | | | | | | 255 | Color Mix | | |
| | | | | | | | | | | | | | | Color | | 0 |
| | | | | | | | | | | | | | 0 | Open | | |
| | | | | | | | | | | | | | 1-179 | Virtual Swatch Book (See Table) | | |
| | | | | | | | | | | | | | | Color Scroll | | |
| | | | | | | | | | | | | | 180-201 | Clockwise Fast → Slow | | |
| | | | | | | | | | | | | | 202-207 | Stop | | |
| | | | 8 | 9 | 12 | 11 | 16 | 17 | 27 | 29 | | | 208-229 | Counter-clockwise Slow → Fast | | |
| | | | | | | | | | | | | | 230-234 | Open | | |
| | | | | | | | | | | | | | | Random Slots | | |
| | | | | | | | | | | | | | 235-239 | Fast | | |
| | | | | | | | | | | | | | 240-244 | Medium | | |
| | | | | | | | | | | | | | 245-249 | Slow | | |
| | | | | | | | | | | | | | 250-255 | Open | | |
| | | 4 | | 9 | | 13 | | 17 | | 28 | | 50 | | Green Shift | | 0 |
| | | | | | | | | | | | | | 0 | Idle | | |
| | | | | | | | | | | | | | 1-127 | Full Minus Green to Neutral | | |
| | | | | | | | | | | | | | 128 | Neutral White | | |
| | | | | | | | | | | | | | 129-255 | Neutral to Full Plus Green | | |
| | | | | | | | | | | 29 | | 51 | | Green Shift 2 | | 0 |
| | | | | | | | | | | | | | 0 | Idle | | |
| | | | | | | | | | | | | | 1-127 | Full Minus Green to Neutral | | |
| | | | | | | | | | | | | | 128 | Neutral White | | |
| | | | | | | | | | | | | | 129-255 | Neutral to Full Plus Green | | |
| | | | | | | | | | | | | 52 | | Green Shift 3 | | 0 |
| | | | | | | | | | | | | | 0 | Idle | | |
| | | | | | | | | | | | | | 1-127 | Full Minus Green to Neutral | | |
| | | | | | | | | | | | | | 128 | Neutral White | | |
| | | | | | | | | | | | | | 129-255 | Neutral to Full Plus Green | | |
| | | | | | | | | | | | | 53 | | Green Shift 4 | | 0 |
| | | | | | | | | | | | | | 0 | Idle | | |
| | | | | | | | | | | | | | 1-127 | Full Minus Green to Neutral | | |
| | | | | | | | | | | | | | 128 | Neutral White | | |
| | | | | | | | | | | | | | 129-255 | Neutral to Full Plus Green | | |
| | | | | 10 | 10 | 4 | 12 | 18 | 18 | 30 | 30 | 54 | | EdgeLight Level | | 0 |
| | | | | | | | | | | | | | 0-10 | Off | | |
| | | | | | | | | | | | | | 11-20 | Default | | |
| | | | | | | | | | | | | | 21-255 | Intensity Min → Max | | |

DMX TRAITS

| Dimmer 1Ch. | RGB 4Ch. | CCT 4Ch. | HSI 4Ch. | HSI EXT. 12Ch. | CMY 11Ch. | CMY EXT. 16Ch. | Std. 13Ch. | Ext. 20Ch. | Std. 2 Zone 19Ch. | Ext. 2 Zone 32Ch. | Ext. 4 Zone 31Ch. | Ext. 4 Zone 56Ch. | DMX Values | Function | Snap | Default Value |
|----------------|-------------|-------------|-------------|----------------------|--------------|----------------------|---------------|---------------|-------------------------|-------------------------|-------------------------|-------------------------|---------------|--------------------------|------|------------------|
| | | | | | | | | | | | | | | Dim Modes | | |
| | | | | | | | | | | | | | 0-20 | Standard | | |
| | | | | | | | | | | | | | 21-40 | Stage | | |
| | | | | | | | | | | | | | 41-60 | TV | | |
| | | | | | | | | | | | | | 61-80 | Architectural | | |
| | | | | | | | | | | | | | 81-100 | Theatre | | |
| | | | | | | | | | | | | | 101-120 | Stage 2 | | |
| | | | | | | | | | | | | | | Dimmer Delay Time | | |
| | | | | | | | | | | | | | 121 | 0s | | |
| | | | | | | | | | | | | | 122 | 0.1s | | |
| | | | | | | | | | | | | | 123 | 0.2s | | |
| | | | | | | | | | | | | | 124 | 0.3s | | |
| | | | | | | | | | | | | | 125 | 0.4s | | |
| | | | | | | | | | | | | | 126 | 0.5s | | |
| | | | | 11 | | 15 | | | | | | | 127 | 0.6s | X | 0 |
| | | | | | | | | | | | | | 128 | 0.7s | | |
| | | | | | | | | | | | | | 129 | 0.8s | | |
| | | | | | | | | | | | | | 130 | 0.9s | | |
| | | | | | | | | | | | | | 131 | 1.0s | | |
| | | | | | | | | | | | | | 132 | 1.5s | | |
| | | | | | | | | | | | | | 133 | 2.0s | | |
| | | | | | | | | | | | | | 134 | 3.0s | | |
| | | | | | | | | | | | | | 135 | 4.0s | | |
| | | | | | | | | | | | | | 136 | 5.0s | | |
| | | | | | | | | | | | | | 137 | 6.0s | | |
| | | | | | | | | | | | | | 138 | 7.0s | | |
| | | | | | | | | | | | | | 139 | 8.0s | | |
| | | | | | | | | | | | | | 140 | 9.0s | | |
| | | | | | | | | | | | | | 141 | 10s | | |
| | | | | | | | | | | | | | 142-255 | Idle | | |
| | | | | | | | | | | | | | | Control | | |
| | | | | | | | | | | | | | 0-69 | Idle | | |
| | | | | | | | | | | | | | | EdgeLite Control | | |
| | | | | | | | | | | | | | 70-74 | Disabled | | |
| | | | | | | | | | | | | | 75-79 | Always ON | | |
| | | | | | | | | | | | | | 80-84 | DMX | | |
| | | | | | | | | | | | | | 85-94 | Red | | |
| | | | | | | | | | | | | | 95-99 | Blue | | |
| | | | | | | | | | | | | | | Refresh Rate (Hz) | | |
| | | | | | | | | | | | | | 100 | 900 | | |
| | | | | | | | | | | | | | 101 | 910 | | |
| | | | | | | | | | | | | | 102 | 920 | | |
| | | | | | | | | | | | | | 103 | 930 | | |
| | | | | | | | | | | | | | 104 | 940 | | |
| | | | | | | | | | | | | | 105 | 950 | | |
| | | | | | | | | | | | | | 106 | 960 | X | 0 |
| | | | | | | | | | | | | | 107 | 970 | | |
| | | | | | | | | | | | | | 108 | 980 | | |
| | | | | | | | | | | | | | 109 | 990 | | |
| | | | | | | | | | | | | | 110 | 1000 | | |
| | | | | | | | | | | | | | 111 | 1010 | | |
| | | | | | | | | | | | | | 112 | 1020 | | |
| | | | | | | | | | | | | | 113 | 1030 | | |
| | | | | | | | | | | | | | 114 | 1040 | | |
| | | | | | | | | | | | | | 115 | 1050 | | |
| | | | | | | | | | | | | | 116 | 1060 | | |
| | | | | | | | | | | | | | 117 | 1070 | | |
| | | | | | | | | | | | | | 118 | 1080 | | |
| | | | | | | | | | | | | | 119 | 1090 | | |
| | | | | | | | | | | | | | 120 | 1100 | | |

DMX TRAITS

| Dimmer 1Ch. | RGB 4Ch. | CCT 4Ch. | HSI 4Ch. | HSI EXT. 12Ch. | CMY 11Ch. | CMY EXT. 16Ch. | Std. 13Ch. | Ext. 20Ch. | Std. 2 Zone 19Ch. | Ext. 2 Zone 32Ch. | Ext. 4 Zone 31Ch. | Ext. 4 Zone 56Ch. | DMX Values | Function | Snap | Default Value |
|-------------|----------|----------|----------|----------------|-----------|----------------|------------|------------|-------------------|-------------------|-------------------|-------------------|------------|--------------------------------|------|---------------|
| | | | | | | | | | | | | | 121 | 1110 | | |
| | | | | | | | | | | | | | 122 | 1120 | | |
| | | | | | | | | | | | | | 123 | 1130 | | |
| | | | | | | | | | | | | | 124 | 1140 | | |
| | | | | | | | | | | | | | 125 | 1150 | | |
| | | | | | | | | | | | | | 126 | 1160 | | |
| | | | | | | | | | | | | | 127 | 1170 | | |
| | | | | | | | | | | | | | 128 | 1180 | | |
| | | | | | | | | | | | | | 129 | 1190 | | |
| | | | | | | | | | | | | | 130 | 1200 | | |
| | | | | | | | | | | | | | 131 | 1210 | | |
| | | | | | | | | | | | | | 132 | 1220 | | |
| | | | | | | | | | | | | | 133 | 1230 | | |
| | | | | | | | | | | | | | 134 | 1240 | | |
| | | | | | | | | | | | | | 135 | 1250 | | |
| | | | | | | | | | | | | | 136 | 1260 | | |
| | | | | | | | | | | | | | 137 | 1270 | | |
| | | | | | | | | | | | | | 138 | 1280 | | |
| | | | | | | | | | | | | | 139 | 1290 | | |
| | | | | | | | | | | | | | 140 | 1300 | | |
| | | | | | | | | | | | | | 141 | 1310 | | |
| | | | | | | | | | | | | | 142 | 1320 | | |
| | | | | | | | | | | | | | 143 | 1330 | | |
| | | | | | | | | | | | | | 144 | 1340 | | |
| | | | | | | | | | | | | | 145 | 1350 | | |
| | | | | | | | | | | | | | 146 | 1360 | | |
| | | | | | | | | | | | | | 147 | 1370 | | |
| | | | | 12 | 11 | 16 | 13 | 20 | 19 | 32 | 31 | 56 | 148 | 1380 | X | 0 |
| | | | | | | | | | | | | | 149 | 1390 | | |
| | | | | | | | | | | | | | 150 | 1400 | | |
| | | | | | | | | | | | | | 151 | 1410 | | |
| | | | | | | | | | | | | | 152 | 1420 | | |
| | | | | | | | | | | | | | 153 | 1430 | | |
| | | | | | | | | | | | | | 154 | 1440 | | |
| | | | | | | | | | | | | | 155 | 1450 | | |
| | | | | | | | | | | | | | 156 | 1460 | | |
| | | | | | | | | | | | | | 157 | 1470 | | |
| | | | | | | | | | | | | | 158 | 1480 | | |
| | | | | | | | | | | | | | 159 | 1490 | | |
| | | | | | | | | | | | | | 160 | 1500 | | |
| | | | | | | | | | | | | | 161 | 2500 | | |
| | | | | | | | | | | | | | 162 | 4000 | | |
| | | | | | | | | | | | | | 163 | 5000 | | |
| | | | | | | | | | | | | | 164 | 6000 | | |
| | | | | | | | | | | | | | 165 | 10000 | | |
| | | | | | | | | | | | | | 166 | 15000 | | |
| | | | | | | | | | | | | | 167 | 20000 | | |
| | | | | | | | | | | | | | 168 | 25000 | | |
| | | | | | | | | | | | | | 169-200 | Idle | | |
| | | | | | | | | | | | | | | Dimmer Curves | | |
| | | | | | | | | | | | | | 201-210 | Dimmer Curve: Linear (Default) | | |
| | | | | | | | | | | | | | 211-220 | Dimmer Curve: Square | | |
| | | | | | | | | | | | | | 221-230 | Dimmer Curve: Inverse Square | | |
| | | | | | | | | | | | | | 231-240 | Dimmer Curve: S-Curve | | |
| | | | | | | | | | | | | | 241-255 | Idle | | |

COLOR TEMPERATURE

| DMX VALUE | COLOR TEMPERATURE (K) | DMX VALUE | COLOR TEMPERATURE (K) |
|-----------|-----------------------|-----------|-----------------------|
| 24 | 2400 | 63 | 6300 |
| 25 | 2500 | 64 | 6400 |
| 26 | 2600 | 65 | 6500 |
| 27 | 2700 | 66 | 6600 |
| 28 | 2800 | 67 | 6700 |
| 29 | 2900 | 68 | 6800 |
| 30 | 3000 | 69 | 6900 |
| 31 | 3100 | 70 | 7000 |
| 32 | 3200 | 71 | 7100 |
| 33 | 3300 | 72 | 7200 |
| 34 | 3400 | 73 | 7300 |
| 35 | 3500 | 74 | 7400 |
| 36 | 3600 | 75 | 7500 |
| 37 | 3700 | 76 | 7600 |
| 38 | 3800 | 77 | 7700 |
| 39 | 3900 | 78 | 7800 |
| 40 | 4000 | 79 | 7900 |
| 41 | 4100 | 80 | 8000 |
| 42 | 4200 | 81 | 8100 |
| 43 | 4300 | 82 | 8200 |
| 44 | 4400 | 83 | 8300 |
| 45 | 4500 | 84 | 8400 |
| 46 | 4600 | 85 | 8500 |
| 47 | 4700 | | |
| 48 | 4800 | | |
| 49 | 4900 | | |
| 50 | 5000 | | |
| 51 | 5100 | | |
| 52 | 5200 | | |
| 53 | 5300 | | |
| 54 | 5400 | | |
| 55 | 5500 | | |
| 56 | 5600 | | |
| 57 | 5700 | | |
| 58 | 5800 | | |
| 59 | 5900 | | |
| 60 | 6000 | | |
| 61 | 6100 | | |
| 62 | 6200 | | |

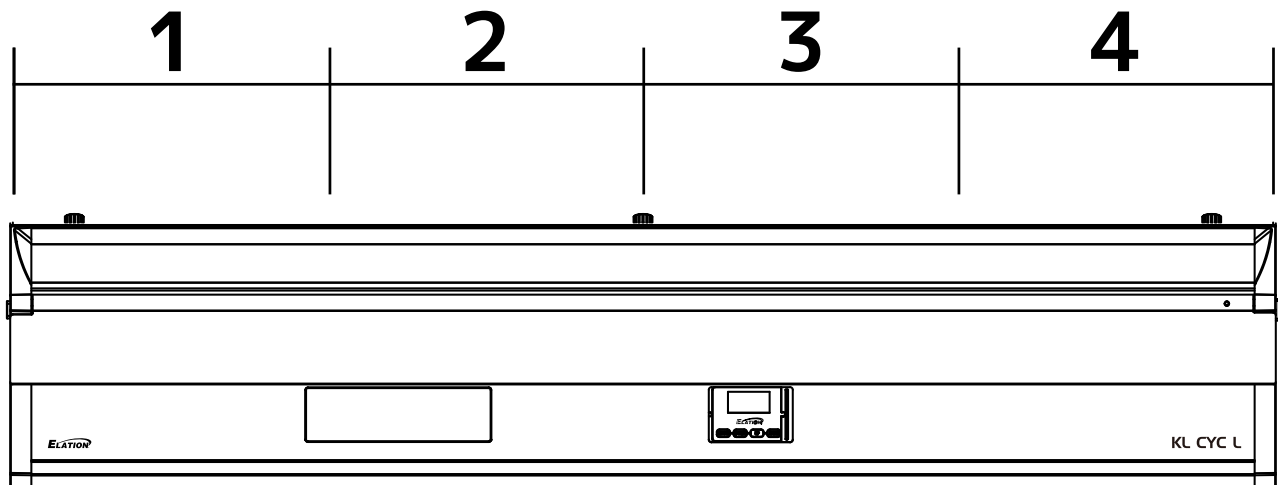
VIRTUAL GEL SWATCH BOOK COLOR

| VALUE | FILTER # | COLOR | VALUE | FILTER # | COLOR |
|-------|----------|-------------------|-------|----------|-------------------|
| 1 | 7 | Pale Yellow | 31 | 126 | Mauve |
| 2 | 103 | Straw | 32 | 49 | Medium Purple |
| 3 | 151 | Gold Tint | 33 | 58 | Lavender |
| 4 | 100 | Spring Yellow | 34 | 199 | Palace Blue |
| 5 | 10 | Medium Yellow | 35 | 119 | Dark Blue |
| 6 | 101 | Yellow | 36 | 132 | Medium Blue |
| 7 | 104 | Deep Amber | 37 | 120 | Deep Blue |
| 8 | 15 | Deep Straw | 38 | 165 | Daylight Blue |
| 9 | 179 | Loving Amber | 39 | 161 | Slate Blue |
| 10 | 21 | Gold Amber | 40 | 118 | Light Blue |
| 11 | 105 | Orange | 41 | 68 | Sky Blue |
| 12 | 158 | Deep Orange | 42 | 143 | Pale Navy Blue |
| 13 | 22 | Dark Amber | 43 | 131 | Marine Blue |
| 14 | 778 | Millennium Gold | 44 | 115 | Peacock Blue |
| 15 | 135 | Deep Golden Amber | 45 | 172 | Lagoon Blue |
| 16 | 24 | Scarlet | 46 | 116 | Medium Blue Green |
| 17 | 106 | Primary Red | 47 | 90 | Dark Yellow Green |
| 18 | 26 | Bright Red | 48 | 139 | Primary Green |
| 19 | 27 | Medium Red | 49 | 122 | Fern Green |
| 20 | 19 | Fire | 50 | 89 | Moss Green |
| 21 | 157 | Pink | 51 | 124 | Dark Green |
| 22 | 36 | Medium Pink | 52 | 88 | Lime Green |
| 23 | 111 | Dark Pink | 53 | 138 | Pale Green |
| 24 | 128 | Bright Pink | 54 | 203 | Quarter CT Blue |
| 25 | 148 | Bright Rose | 55 | 202 | Half CT Blue |
| 26 | 332 | Special Rose Pink | 56 | 201 | FULL CT Blue |
| 27 | 793 | Vanity Fair | 57 | 200 | Double CT Blue |
| 28 | 113 | Magenta | 58 | 206 | Quarter CT Orange |
| 29 | 46 | Dark Magenta | 59 | 205 | Half CT Orange |
| 30 | 48 | Rose Purple | 60 | 204 | FULL CT Orange |

ERROR CODES

| Error Codes subject to change without notice | |
|--|--|
| ERROR CODES | DESCRIPTION |
| Temp Error | This message appears when there is a heating error. |
| Init Error | This message appears when there is an initial startup error. |
| | |

PIXEL GROUPING



MAINTENANCE GUIDELINES

DISCONNECT POWER BEFORE PERFORMING ANY MAINTENANCE!

CLEANING

Frequent cleaning is recommended to ensure proper function, optimized light output, and an extended life. The frequency of cleaning depends on the environment in which the fixture operates: damp, smoky, or particularly dirty environments can cause greater accumulation of dirt on the fixture's optics. Clean periodically with a soft cloth to avoid dirt/debris accumulation.

NEVER use alcohol, solvents, or ammonia-based cleaners.

MAINTENANCE

Regular inspections are recommended to ensure proper function and extended life. There are no user serviceable parts inside this fixture. Please refer all service issues to an authorized Elation service technician. Should you need any spare parts, please order genuine parts from an authorized Elation dealer.

Please refer to the following points during routine inspections:

- A detailed electrical check by an approved electrical engineer every three months, to make sure the circuit contacts are in good condition and prevent overheating.
- Be sure all screws and fasteners are securely tightened at all times. Loose screws may fall out during normal operation, resulting in damage or injury as larger parts could fall.
- Check for any deformations on the housing, color lenses, rigging hardware, and rigging points (ceiling, suspension, trussing). Deformations in the housing could allow for dust to enter into the fixture. Damaged rigging points or unsecured rigging could cause the fixture to fall and seriously injure a person(s).
- Electric power supply cables must not show any damage, material fatigue, or sediments.

NEVER remove the ground prong from the power cable.

SPECIFICATIONS

SOURCE

180W RGBMA LED Array
30,000 Hour Average LED Life*

*May vary depending on several factors including but not limited to:
Environmental Conditions, Power/Voltage, Usage Patterns (On-Off Cycling), Control and Dimming.

PHOTOMETRIC DATA

6300+ Total Lumen Output
CRI 92
TLCI 95

EFFECTS

EdgeLight Safety Feature
Electronic Dimmer and Strobe
Variable 16-bit Dimming Modes and Curves

COLOR

RGBMA Color Array
Up to Four Control Segments
CMY, RGB Emulation
Variable CCT 2,400K - 8,500K
Green/Magenta Shift
Virtual Gel Swatch Book

CONTROL / CONNECTIONS

11 DMX Channel Modes (1ch, 4ch, 4ch, 4ch, 11ch, 12ch, 13ch, 16ch, 19ch, 20ch, 31ch, 32ch, 56ch)
4 Button Control Panel, LED Display
RDM (Remote Device Management)
5pin DMX In/Out
RJ45 Locking Ethernet In/Out
IP65 Locking Power Cable In/Out

SIZE / WEIGHT

Length: 39.37" (1000mm)
Width: 7.8" (198mm)
Height: 3.35" (85mm)
Weight: 16lb (7.3kg)

ELECTRICAL / THERMAL

AC 100-240V - 50/60Hz
200W Max Power Consumption
5°F to 113°F (-15°C to 45°C)

INCLUDED ITEMS

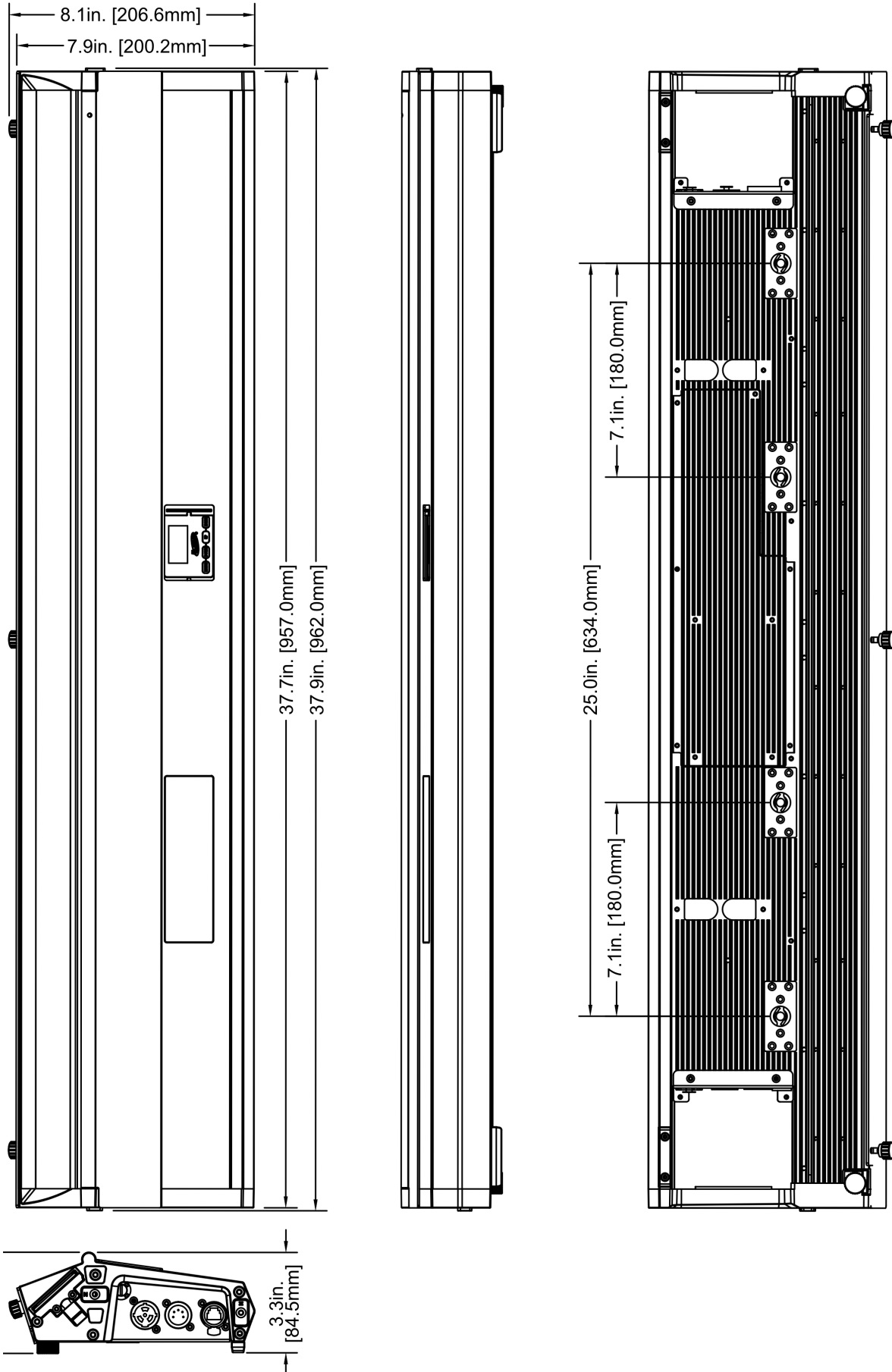
2x Omega Bracket
1x Frost Filter
1x Barndoor
IP65 Locking Power Cable

APPROVALS / RATINGS

CE | cETLus(pend) | UL | FCC | UKCA

DIMENSIONAL DRAWINGS

Drawings not to scale.



OPTIONAL ACCESSORIES

| ORDER CODE | | ITEM |
|---------------|------------|--|
| US | EU | |
| KLC013 | 1237000281 | Elation KL CYC L |
| TRIGGER CLAMP | 1741000032 | Heavy Duty Wrap Around Hook Style Clamp |
| PDJ010 | 1621000162 | 10" Power and DMX Interconnect Cable, for KL CYC |
| | | Additional Cable Lengths Available |



FCC STATEMENT

This device complies with Part 15 of the FCC Rules. Operation is subject to the following two conditions: (1) this device may not cause harmful interference, and (2) this device must accept any interference received, including interference that may cause undesired operation.

FCC RADIO FREQUENCY INTERFERENCE WARNINGS & INSTRUCTIONS

This product has been tested and found to comply with the limits as per Part 15 of the FCC Rules. These limits are designed to provide reasonable protection against harmful interference in a residential installation. This device uses and can radiate radio frequency energy and, if not installed and used in accordance with the included instructions, may cause harmful interference to radio communications. However, there is no guarantee that interference will not occur in a particular installation. If this device does cause harmful interference to radio or television reception, which can be determined by turning the device off and on, the user is encouraged to try to correct the interference by one or more of the following methods:

- Reorient or relocate the device.
- Increase the separation between the device and the receiver.
- Connect the device to an electrical outlet on a circuit different from which the radio receiver is connected.
- Consult the dealer or an experienced radio/TV technician for help.

Energy Saving Matters (EuP 2009/125/EC)

Saving electric energy is a key to help protecting the environment. Please turn off all electrical products when they are not in use. To avoid power consumption in idle mode, disconnect all electrical equipment from power when not in use. Thank you!

