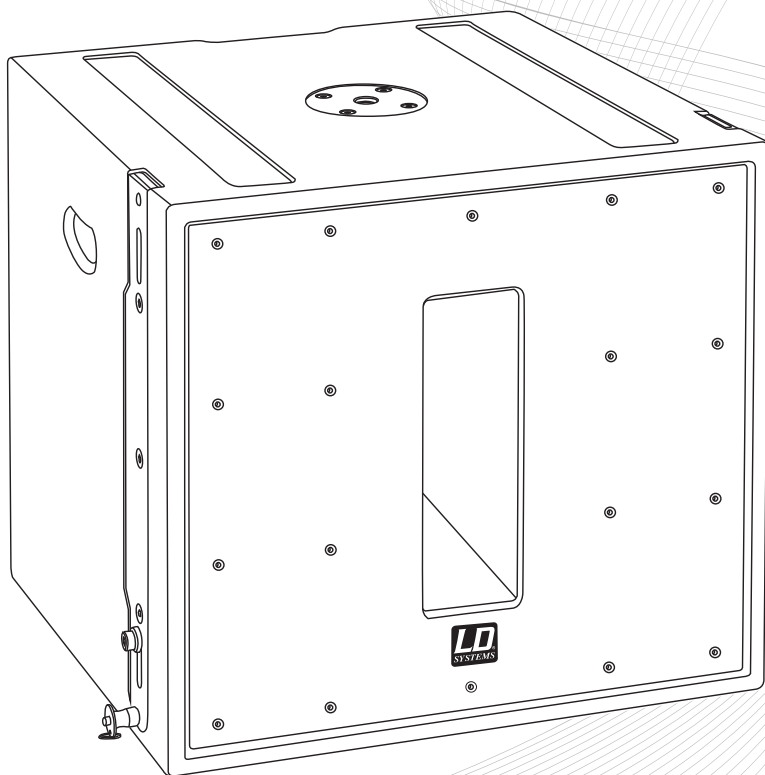


USER'S MANUAL
BEDIENUNGSANLEITUNG
MANUEL D'UTILISATION
MANUAL DE USUARIO
INSTRUKCJA OBSŁUGI
MANUALE D' USO



LDV212B

2 X 12" RIGGABLE BANDPASS SUBWOOFER 700W



ENGLISH

DEUTSCH

FRANCAIS

ESPAÑOL

POLSKI

ITALIANO

Thank you for choosing LD-Systems!

We have designed this product to operate reliably over many years. Therefore LD-Systems guarantees for high quality products with its name and many years of experience as a producer.

Please, take a few moments to read these instructions carefully, as we want you to enjoy your new LD-Systems products quickly and to the fullest.

For information about LD-Systems check out our website WWW.LD-SYSTEMS.COM

Introduction

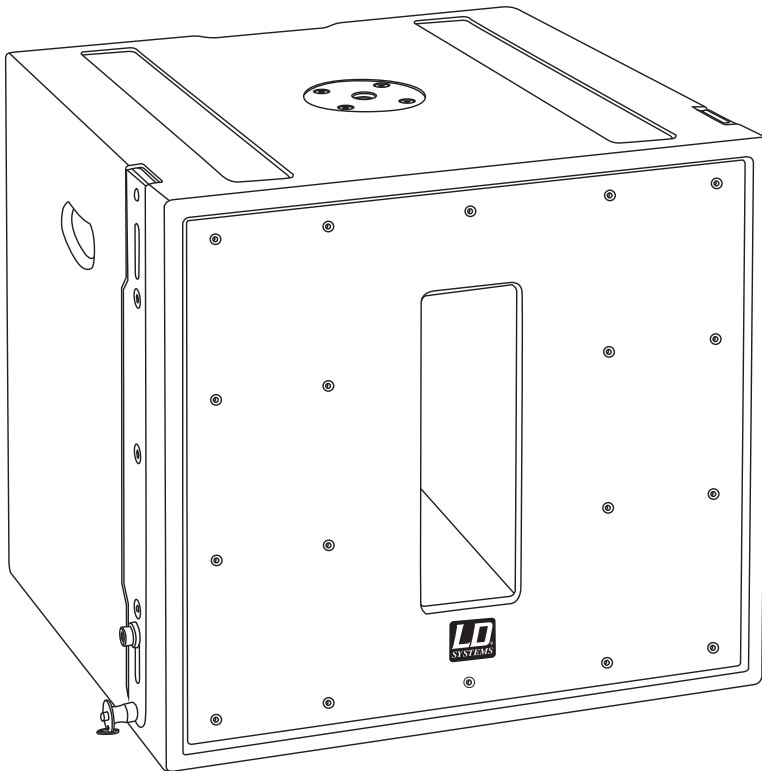
The LD-Systems LDV212B dual 12", 4th order bandpass subwoofer offers high quality components, ultra compact design and a solid low frequency transmission, all at a very fair price.

It is the ideal partner for the LD-Premium VA4 line array loudspeakers and can be used flown, thanks to its integrated flyware, or ground-stacked.

In combination with the LD-Premium VA4 loudspeakers it provides well balanced fullrange sound at amazing small dimensions and costs.

LDV212B

2 X 12" RIGGABLE BANDPASS SUBWOOFER 700W



ENGLISH

DEUTSCH

FRANCAIS

ESPAÑOL

POLSKI

ITALIANO



PREVENTIVE MEASURES:

1. Please read this information carefully.
2. Keep all information and instructions in a safe place.
3. Please follow the instructions.
4. Please observe all warnings. Don't remove safety instructions or any other information located on the device.
5. Use the device only in the intended manner.
6. Use only stable and appropriate stands and/or mounts when the device is permanently installed. Make certain that wall brackets are firmly secured. Make certain that the unit is installed securely and cannot fall down.
7. When installing please observe the corresponding safety standards for your country.
8. Do not install the device near radiators, heat accumulators, ovens or other sources of heat. Make certain that the device is always installed so that is cooled sufficiently and cannot overheat.
9. Do not place open sources of ignition, e.g., burning candles, on the device.
10. Do not cover ventilation slots.
11. Do not operate the device in the immediate vicinity of water. Do not expose this equipment to combustible materials, liquids or gases.
12. Please make certain that dripping or splashing water cannot get inside the device. Do not put objects filled with fluids, such as vases or drinking vessels, on top of the device.
13. Make certain that objects cannot fall into the device.
14. Use the device only with accessories with which the manufacturer intends the device to be used.
15. CAUTION: If this device has a mains connector equipped with protective earth, it must be connected to a mains socket with a protective ground connection. Never disable the function of the protective ground connection of the included power cord.
16. Do not turn on the device immediately if it was exposed to strong temperature fluctuations (for example after transportation). Moisture and condensation may damage the device. Leave the device switched off until it has reached room temperature.
17. Do not open the device and do not make any changes to the device.
18. Before connecting to mains power, make certain that the mains voltage and the mains frequency are the same as the operating values of the device (see type label). If the device is equipped with a supply voltage selector switch, make certain that the values of the device match the values of the mains power before connecting. If the plug on the included cord does not fit your mains outlet, contact your electrician.
19. Make certain that the power cord is not stepped on. Protect the power cord against pinching, especially at the device plug and the power plug.
20. In order to prevent damage or accidents, for example, due to tripping hazards, check all connections once you have connected the device.
21. When connecting the device, make certain that the power plug remains readily accessible. Always pull out the power plug when the device is not in use or when you clean the device. Disconnect the power cord by pulling the plug not the cable.
22. Avoid switching the device on and off at short intervals, because it may shorten the durability of the device.
23. IMPORTANT: Replace fuse only by fuse of same type and rating! If fuse blows repeatedly please contact authorized service center!
24. In order to disconnect the device completely from the mains voltage, the power plug must be unplugged.
25. If your device is equipped with a Volex power connector, the matching Volex device plug must be unlocked in order to disconnect it. This also means that a tug on the power cord can pull the device out of place, thus causing personal injuries and/or property damage. Thus please make certain to route your cables carefully.

ENGLISH

DEUTSCH

FRANCAIS

ESPAÑOL

POLSKI

ITALIANO

PREVENTIVE MEASURES:

ENGLISH

DEUTSCH

FRANCAIS

ESPAÑOL

POLSKI

ITALIANO

26. If there is a risk of lightning strike or during extended periods of disuse, unplug the power plug.
27. During transport, make certain that the equipment being transported cannot fall down and possibly cause personal injuries and/or property damage.
28. If your device no longer works properly, if it has been exposed to liquids or an object has fallen inside it or if it has been damaged in some other manner, turn the device off immediately und unplug the power plug. This device should be repaired only by authorized experts.
29. Use only a dry cloth to clean the device.
30. Comply with all of the disposal laws that are applicable in your country. During disposal, please separate plastic and paper/cardboard.
31. Plastic bags must be kept out of the reach of children.

Always ensure that connections between all components are secure. Always make sure that all ball lock pins and screws are located at the intended place and fully locked into the holes. Do never use damaged pins, screws or other connection parts. Always use suitable security ropes to prevent loudspeakers and components from falling down when using flown set-ups.



CAUTION:

To reduce the risk of electric shock, do not remove cover (or back). No user serviceable parts inside. Refer servicing to qualified personnel.



The lightning flash with arrowhead symbol within an equilateral triangle is intended to alert the user to the presence of uninsulated "dangerous voltage" within the product's enclosure that may be of sufficient magnitude to constitute a risk to persons.



The exclamation mark within an equilateral triangle is intended to alert the user to the presence of important operating and maintenance (servicing) instructions in the literature accompanying the appliance.

CAUTION! HIGH VOLUME!

You will operate this transmission system for professional use. Therefore the commercial use of this equipment is liable to the rules and regulations of the Accident Prevention & Insurance Association of your industry sector. Adam Hall as a manufacturer is bound to inform you formally about the existence of eventual sanitary risks.

Risk of hearing damage due to prolonged exposure to excessive volumes: The loudspeaker is easily capable of generating sound pressure levels (SPL) sufficient to cause permanent hearing damage to performers, production crew and audience members. Caution should be taken to avoid prolonged exposure SPL in excess of 90 dB.

BACK PANEL:

ENGLISH

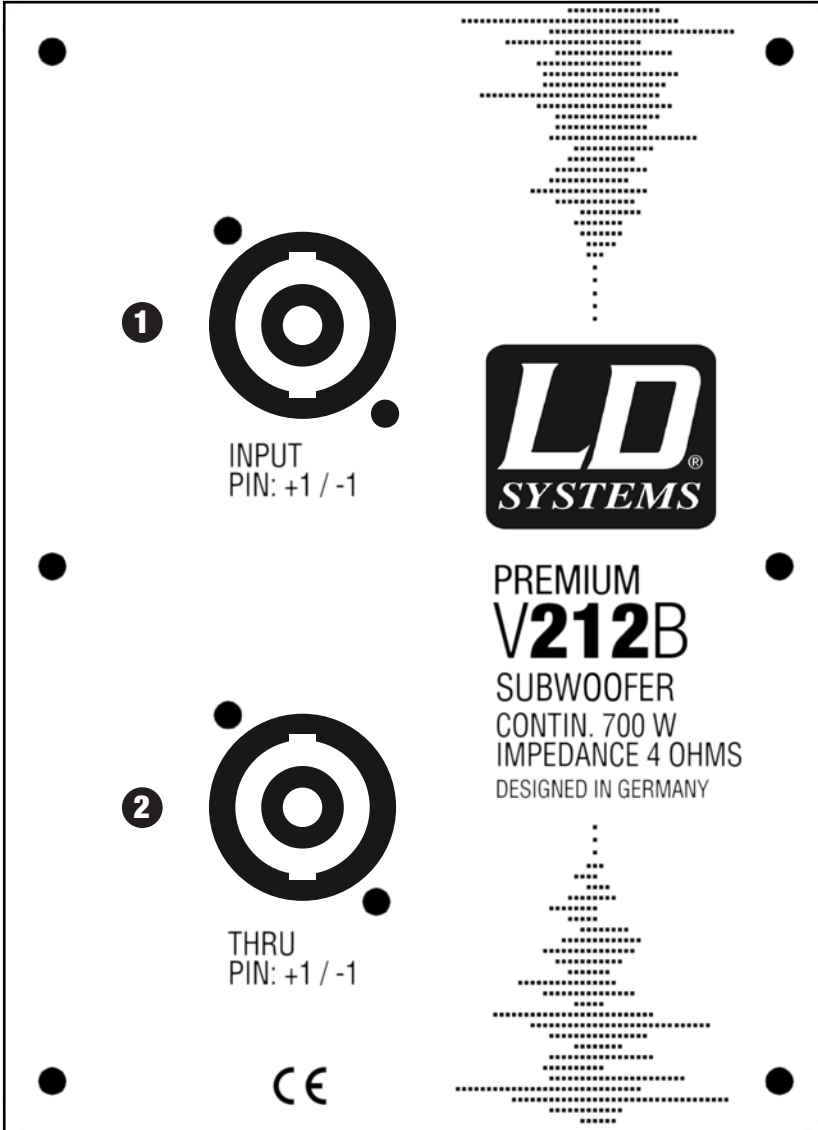
DEUTSCH

FRANCAIS

ESPAÑOL

POLSKI

ITALIANO



1 INPUT

Loudspeaker input (Speakon socket).

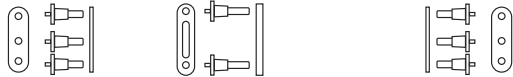
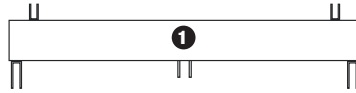
2 THRU

Speakon input and thru sockets are parallel wired [1+ / 1-]

COMPONENTS FOR LINE ARRAY SET-UP:

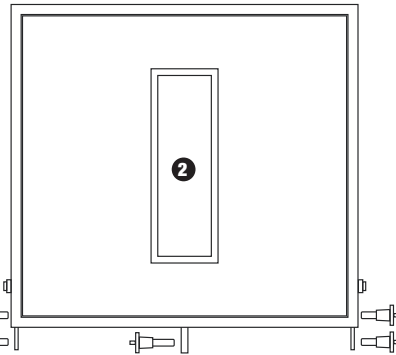
EXAMPLE 1

Flown with 1 x LDV212B and 4 x LDVA4:



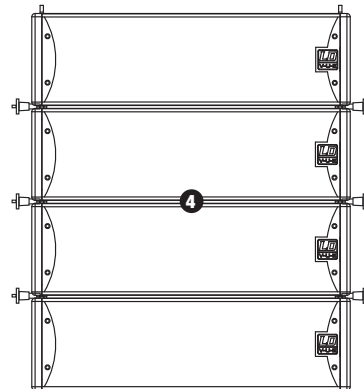
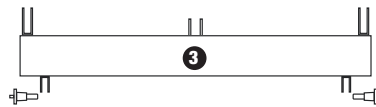
1 1x LDV212BF

2 1x LDV212B including
 2x side connection piece (5 mm)
 1x rear connection piece (10 mm)
 6x pin 10 / 16 mm
 2x pin 10 / 28 mm



3 1x LDV212BF

4 4x LDVA4



EXAMPLE 2

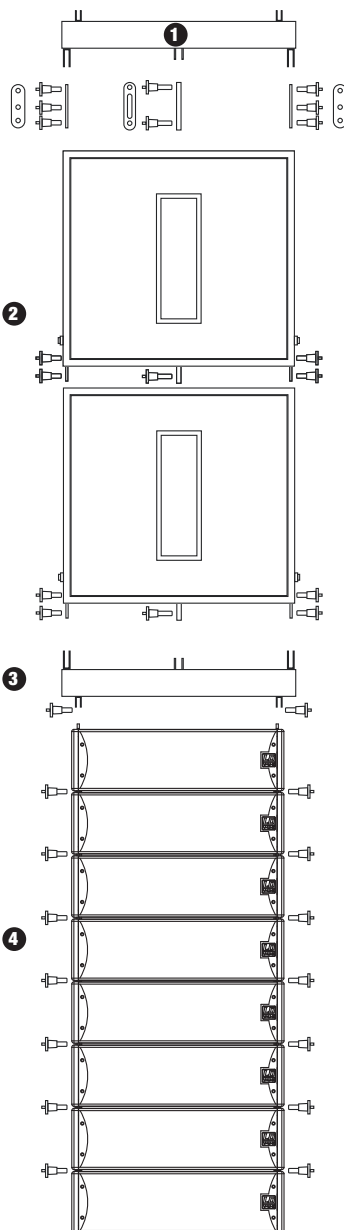
Flown with 2 x LDV212B and 8 x LDVA4:

❶ 1x LDV212BF

❷ 2x LDV212B

❸ 1x LDV212BF

❹ 8x LDVA4



COMPONENTS FOR LINE ARRAY SET-UP:

ENGLISH

DEUTSCH

FRANCAIS

ESPAÑOL

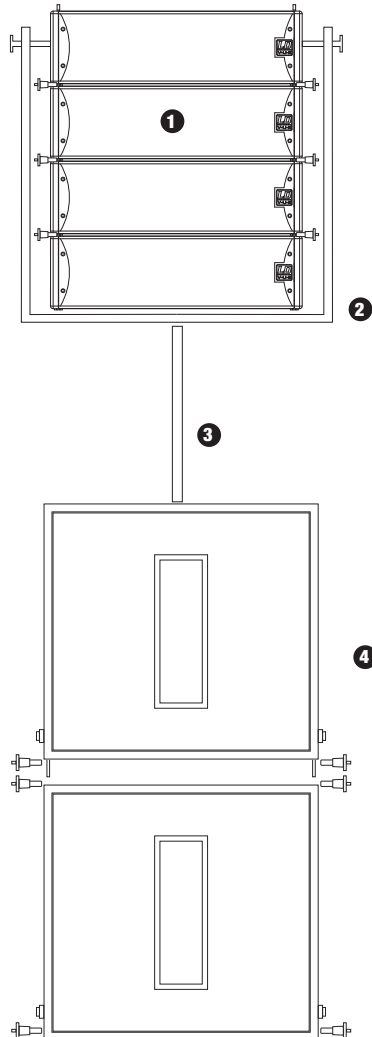
POLSKI

ITALIANO

EXAMPLE 3

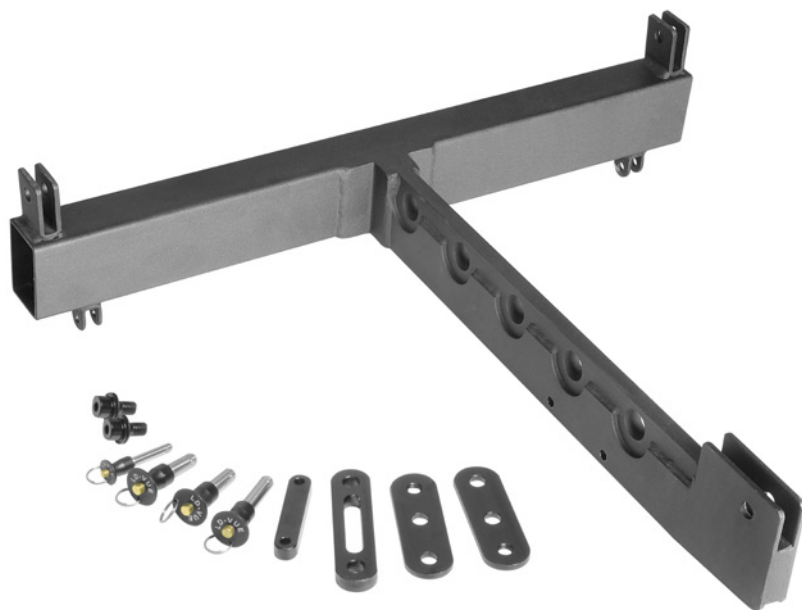
Ground stack with 2 x LDV212B and 4 x LDVA4:

- ❶ 4x LDVA4
- ❷ 1x LDVA4UF
- ❸ 1x SPS822
- ❹ 2x LDV212B



ACCESSORIES:

LDV212BF



ENGLISH

DEUTSCH

FRANCAIS

ESPAÑOL

POLSKI

ITALIANO

SPECIFICATIONS:

MODEL NAME:	LDV212B	
Product Sort:	PA-subwoofer	
Type:	Passive	
Woofer Size:	"	2 x 12
Woofer Size:	mm	2 x 304
Woofer Magnet:	Neodymium	
Woofer Brand:	Custom made	
Woofer Voice Coil:	"	3
Woofer Voice Coil:	mm	76,2
Power (RMS):	W	700
Power (Peak):	W	1400
Frequency Range:	Hz	38-200
SPL (1W/1m):	dB	100
Max. SPL	dB	128
Impedance	Ω	4
Input Connector:	Neutrik NL-4	
Output Connector:	Neutrik NL-4	
Cabinet Material:	15 mm baltic plywood	
Cabinet Surface:	DuraCoat	
Cabinet Design:	Bandpass 4th order	
Dimensions (W x H x D)	mm	520 x 487 x 520
Weight	kg	31,5
Features:	M20 threaded flange for speaker pole, prepared for rigging in combination with LDVA4 Line Array. BGV C1 approved.	

ENGLISH

DEUTSCH

FRANCAIS

ESPAÑOL

POLSKI

ITALIANO

MANUFACTURER'S DECLARATIONS:

ENGLISH

DEUTSCH

FRANCAIS

ESPAÑOL

POLSKI

ITALIANO

LIMITED WARRANTY

This Limited Warranty applies to the Adam Hall, LD Systems, LD Premium, Defender, Palmer, Cameo and Eminence branded products.

The statutory warranty rights towards the seller are not affected by this guarantee. In fact, it justifies, additional independent warranty claims towards Adam Hall.

Adam Hall warrants that the Adam Hall product you have purchased from Adam Hall or from an Adam Hall authorized reseller is free from defects in materials or workmanship under normal use for a period of 2 or 5 years from the date of purchase.

The Limited Warranty Period starts on the date of purchase. In order to receive warranty services you are required to provide proof of the purchase date. Your dated sales or delivery receipt, showing the date of purchase, is your proof of the purchase date. Should products of the brands named above be in need of repair within the limited warranty period, you are entitled to warranty services according to the terms and conditions stated in this document.

This Limited Warranty extends only to the original purchaser of this Adam Hall branded product and is not transferable to anyone who obtains ownership of the Adam Hall branded product from the original purchaser. During the Limited Warranty Period, Adam Hall will repair or replace the defective component parts or the product. All component parts or hardware products removed under this Limited Warranty become the property of Adam Hall.

In the unlikely event that your Adam Hall product has a recurring failure, Adam Hall, at its discretion, may elect to provide you with a replacement unit of Adam Hall's choice that is at least equivalent to your Adam Hall branded product in hardware performance.

Adam Hall does not warrant that the operation of this product will be uninterrupted or error-free. Adam Hall is not responsible for damage that occurs as a result of your failure to follow the instructions included with the Adam Hall branded product.

This Limited Warranty does not apply,

- to wear parts (e.g. accumulator)
- to any product from which the serial number has been removed or that has been damaged or rendered defective as the result of an accident
- in case of, misuse, abuse, or other external causes
- by operation outside the usage parameters stated in the user's documentation shipped with the product by use of spare parts not manufactured or sold by Adam Hall
- by modification or service by anyone other than Adam Hall

These terms and conditions constitute the complete and exclusive warranty agreement between you and Adam Hall regarding the Adam Hall branded product you have purchased.



MANUFACTURER'S DECLARATIONS:

LIMITATION OF LIABILITY

If your Adam Hall branded hardware product fails to work as warranted above, your sole and exclusive remedy shall be repair or replacement. Adam Halls' maximum liability under this limited warranty is expressly limited to the lesser of the price you have paid for the product or the cost of repair or replacement of any hardware components that malfunction in conditions of normal use.

Adam Hall is not liable for any damages caused by the product or the failure of the product, including any lost profits or savings or special, incidental, or consequential damages. Adam Hall is not liable for any claim made by a third party or made by you for a third party.

This limitation of liability applies whether damages are sought, or claims are made, under this Limited Warranty or as a tort claim (including negligence and strict product liability), a contract claim, or any other claim. This limitation of liability cannot be waived or amended by any person. This limitation of liability will be effective even if you have advised Adam Hall of an authorized representative of Adam Hall of the possibility of any such damages. This limitation of liability however, will not apply to claims for personal injury.

This Limited Warranty gives you specific legal rights. You may also have other rights that may vary from state to state or from country to country. You are advised to consult applicable state or country laws for a full determination of your rights.

REQUESTING WARRANTY-SERVICE

To request warranty service for the product, contact Adam Hall or the Adam Hall authorized reseller from which you purchased the product.

EC DECLARATION OF CONFORMITY

These devices meet the essential requirements and further relevant specifications of Directives 2004/108/EC (EMC) and 2006/95/EC (LVD). For more information, see www.adamhall.com.

CORRECT DISPOSAL OF THIS PRODUCT (ELECTRICAL WASTE)

(Applicable in the European Union and other European countries with separate collection systems)



This marking shown on the product or its literature, indicates that it should not be disposed with other household wastes at the end of its working life. To prevent possible harm to the environment or human health from uncontrolled waste disposal, please separate this from other types of wastes and recycle it responsibly to promote the sustainable reuse of material resources.

Household users should contact either the retailer where they purchased this product, or their local government office, for details on where and how they can recycle this item in an environmentally friendly manner.

Business users should contact their supplier and check the terms and conditions of the purchase contract. This product should not be mixed with other commercial wastes for disposal.

ENGLISH

DEUTSCH

FRANCAIS

ESPAÑOL

POLSKI

ITALIANO

WEEE-DECLARATION

Your LD-Systems product was developed and manufactured with high quality materials and components which can be recycled and/or reused. This symbol indicates that electrical and electronic equipment must be disposed of separately from normal waste at the end of its operational lifetime.

Please dispose of this product by bringing it to your local collection point or recycling centre for such equipment. This will help to protect the environment in which we all live.

BATTERIES AND ACCUMULATORS

The supplied batteries or rechargeable batteries can be recycled. Please dispose of them as special waste or return them to your specialist dealer. In order to protect the environment, only dispose exhausted batteries.

ECOLOGY AND ENERGY SAVING

Saving electric energy helps to protect the environment. Please turn off all electrical equipment when it is not in use. To avoid power consumption in idle mode, disconnect all electrical equipment from mains when not in use.

Adam Hall GmbH, all rights reserved. The technical data and the functional product characteristics can be subject to modifications. The photocopying, the translation, and all other forms of copying of fragments or of the integrity of this user's manual is prohibited.



ENGLISH

DEUTSCH

FRANCAIS

ESPAÑOL

POLSKI

ITALIANO

Sie haben die richtige Wahl getroffen!

Diese LD-Systems Produkte werden Sie lange Jahre durch Zuverlässigkeit, Wirtschaftlichkeit und einfaches Handling überzeugen. Dafür garantiert LD-Systems mit seinem Namen und seiner in vielen Jahren erworbenen Kompetenz als Hersteller hochwertiger Geräte.

Nehmen Sie sich nun ein paar Minuten Zeit, diese Anleitung zu lesen. Wir möchten, dass Sie einfach und schnell in den Genuss dieser Technik kommen.

Mehr Informationen zu LD-SYSTEMS finden Sie auf unserer Internetseite WWW.LD-SYSTEMS.COM

Einführung

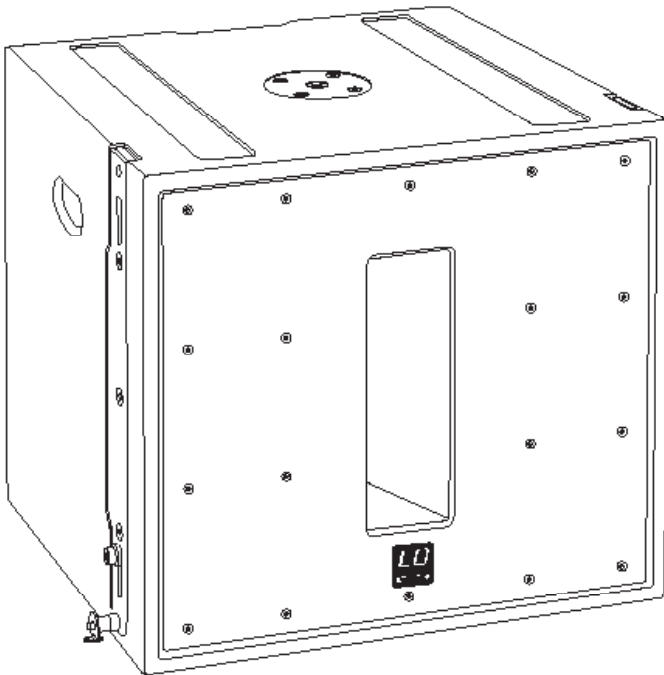
Der 2x 12" LDV212B 4th Order Bandpass Subwoofer von LD-Systems bietet zu einem äußerst fairen Preis erstklassige Komponenten, ein ultra-kompaktes Design und eine solide Basswiedergabe.

Er ist die ideale Ergänzung für LD-Premium VA4 Line Arrays und hierbei dank der integrierten Flyware nicht nur für Ground Stacks sondern auch für den Flugbetrieb geeignet.

Kombiniert mit den LD-Premium VA4 Lautsprechern erhalten Sie ein ausgewogenes, überraschend kompaktes und preisgünstiges Full Range-Lautsprechersystem.

LDV212B

2 X 12" BANDPASS FLUG SUBWOOFER 700W



ENGLISH

DEUTSCH

FRANCAIS

ESPAÑOL

POLSKI

ITALIANO

SICHERHEITSHINWEISE:

1. Lesen Sie diese Anleitung bitte sorgfältig durch.
2. Bewahren Sie alle Informationen und Anleitungen an einem sicheren Ort auf.
3. Befolgen Sie die Anweisungen.
4. Beachten Sie alle Warnhinweise. Entfernen Sie keine Sicherheitshinweise oder andere Informationen vom Gerät.
5. Verwenden Sie das Gerät nur in der vorgesehenen Art und Weise.
6. Verwenden Sie ausschließlich stabile und passende Stative bzw. Befestigungen (bei Festinstallationen). Stellen Sie sicher, dass Wandhalterungen ordnungsgemäß installiert und gesichert sind. Stellen Sie sicher, dass das Gerät sicher installiert ist und nicht herunterfallen kann.
7. Beachten Sie bei der Installation die für Ihr Land geltenden Sicherheitsvorschriften.
8. Installieren und betreiben Sie das Gerät nicht in der Nähe von Heizkörpern, Wärmespeichern, Öfen oder sonstigen Wärmequellen. Sorgen Sie dafür, dass das Gerät immer so installiert ist, dass es ausreichend gekühlt wird und nicht überhitzen kann.
9. Platzieren Sie keine Zündquellen wie z. B. brennende Kerzen auf dem Gerät.
10. Die Lüftungsschlitze dürfen nicht blockiert werden
11. Betreiben Sie das Gerät nicht in unmittelbarer Nähe von Wasser. Bringen Sie das Gerät nicht mit brennbaren Materialien, Flüssigkeiten oder Gasen in Berührung.
12. Sorgen Sie dafür, dass kein Tropf- oder Spritzwasser in das Gerät eindringt. Stellen Sie keine mit Flüssigkeit gefüllten Behältnisse wie Vasen oder Trinkgefäße auf das Gerät.
13. Sorgen Sie dafür, dass keine Gegenstände in das Gerät fallen können.
14. Betreiben Sie das Gerät nur mit dem vom Hersteller empfohlenen und vorgesehenen Zubehör.
15. **ACHTUNG:** Wenn das Stromkabel des Geräts mit einem Schutzkontakt ausgestattet ist, muss es an einer Steckdose mit Schutzleiter angeschlossen werden. Deaktivieren Sie niemals den Schutzleiter des mitgelieferten Kaltgerätekabels.
16. Schalten Sie das Gerät nicht sofort ein, wenn es starken Temperaturschwankungen ausgesetzt war (beispielsweise nach dem Transport). Feuchtigkeit und Kondensat könnten das Gerät beschädigen. Schalten Sie das Gerät erst ein, wenn es Zimmertemperatur erreicht hat.
17. Öffnen Sie das Gerät nicht und verändern Sie es nicht.
18. Bevor Sie das Gerät an die Steckdose anschließen, prüfen Sie zuerst, ob die Spannung und die Frequenz des Stromnetzes mit den auf dem Gerät angegebenen Werten übereinstimmen. Verfügt das Gerät über einen Spannungswahlschalter, schließen Sie das Gerät nur an die Steckdose an, wenn die Gerätewerte mit den Werten des Stromnetzes übereinstimmen.
Wenn das mitgelieferte Netzkabel nicht in Ihre Netzsteckdose passt, wenden Sie sich an Ihren Elektriker.
19. Treten Sie nicht auf das Kaltgerätekabel. Sorgen Sie dafür, dass das Kaltgerätekabel speziell an der Netz- und der Gerätebuchse nicht geknickt wird.
20. Überprüfen Sie nach dem Anschluss des Geräts alle Kabelwege, um Schäden oder Unfälle, z. B. durch Stolperfallen zu vermeiden.
21. Achten Sie bei der Verkabelung des Geräts immer darauf, dass das Netzkabel stets frei zugänglich ist. Ziehen Sie immer den Netzstecker, wenn das Gerät nicht benutzt wird, oder Sie das Gerät reinigen möchten. Ziehen Sie das Kaltgerätekabel immer am Stecker und nicht am Kabel aus der Steckdose.
22. Schalten Sie das Gerät möglichst nicht schnell hintereinander ein und aus, da sonst die Lebensdauer des Geräts beeinträchtigt werden könnte.
23. **WICHTIGER HINWEIS:** Ersetzen Sie die Sicherung ausschließlich durch eine Sicherung des gleichen Typs

und mit gleichen Werten. Sollte die Sicherung wiederholt auslösen, wenden Sie sich bitte an ein autorisiertes Servicezentrum.

24. Um das Gerät vollständig vom Stromnetz zu trennen, entfernen Sie das Netzkabel.

25. Wenn Ihr Gerät mit einem Volex-Netzanschluss bestückt ist, muss der passende Volex-Gerätestecker entsperrt werden, bevor er entfernt werden kann. Das bedeutet aber auch, dass das Gerät durch eine Ziehen am Kaltgerätekabel verrutschen kann, wodurch Personen verletzt werden und/oder andere Schäden auftreten können. Verlegen Sie Ihre Kabel daher immer sorgfältig.

26. Entfernen Sie das Netzkabel bei Gefahr eines Blitzschlags oder wenn Sie das Gerät länger nicht verwenden.

27. Achten Sie beim Transport darauf, dass das Gerät nicht herunterfallen und dabei möglicherweise Sach- und Personenschäden verursachen kann.

28. Wenn Ihr Gerät nicht mehr ordnungsgemäß funktioniert, Flüssigkeiten oder Gegenstände in das Geräteinnere gelangt sind oder das Gerät anderweitig beschädigt wurde, schalten Sie es sofort aus und ziehen Sie den Stecker. Dieses Gerät darf nur von autorisiertem Fachpersonal repariert werden.

29. Verwenden Sie zur Reinigung des Geräts ein trockenes Tuch.

30. Beachten Sie alle in Ihrem Land geltenden Entsorgungsgesetze. Trennen Sie bei der Entsorgung bitte Kunststoff und Papier bzw. Kartonagen voneinander.

31. Kunststoffbeutel müssen außer Reichweite von Kindern aufbewahrt werden.



ACHTUNG:

Entfernen Sie niemals die Abdeckung, da sonst das Risiko eines elektrischen Schlages besteht. Im Inneren des Geräts befinden sich keine Teile, die vom Bediener repariert oder gewartet werden können. Lassen Sie Reparaturen ausschließlich von qualifiziertem Service-Personal durchführen.



Das gleichschenkelige Dreieck mit dem Blitzsymbol kennzeichnet nicht-isolierte, „gefährliche“ Spannungen im Gerät, die einen für die Gesundheit gefährlichen Stromschlag verursachen können.



Das gleichschenkelige Dreieck mit dem Ausrufezeichen kennzeichnet wichtige Bedienungs- und Wartungshinweise.

ACHTUNG! HOHE LAUTSTÄRKEN!

Dieses Gerät ist für den professionellen Einsatz vorgesehen. Der kommerzielle Betrieb dieses Geräts unterliegt den jeweils gültigen nationalen Vorschriften und Richtlinien zur Unfallverhütung. Als Hersteller ist Adam Hall gesetzlich verpflichtet, Sie ausdrücklich auf mögliche Gesundheitsrisiken hinzuweisen.

Gehörschäden und Dauerbelastung durch hohe Lautstärken: Dieser Lautsprecher kann hohe Schalldruckpegel (SPL) erzeugen, die bei Künstlern, Mitarbeitern und Zuschauern zu irreparablen Gehörschäden führen können. Vermeiden Sie länger anhaltende Belastung durch hohe Lautstärken über 90 dB.

RÜCKSEITE:

ENGLISH

DEUTSCH

FRANCAIS

ESPAÑOL

POLSKI

ITALIANO

1

INPUT
PIN: +1 / -1

2

THRU
PIN: +1 / -1

**PREMIUM
V212B**
SUBWOOFER
CONTIN. 700 W
IMPEDANCE 4 OHMS
DESIGNED IN GERMANY

CE

1 INPUT

Lautsprecheranschluss (Speakon-Buchse)

2 THRU

Speakon-Ausgangsbuchse, parallel geschaltet mit Input-Buchse [1+ / 1-]

ENGLISH

DEUTSCH

FRANCAIS

ESPAÑOL

POLSKI

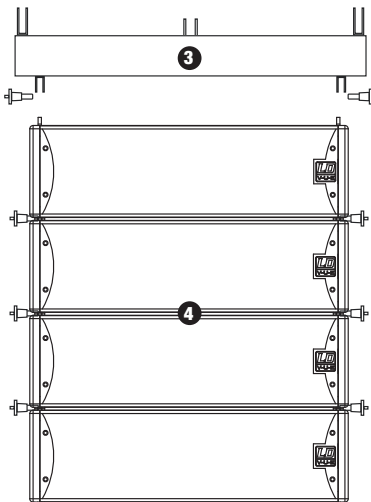
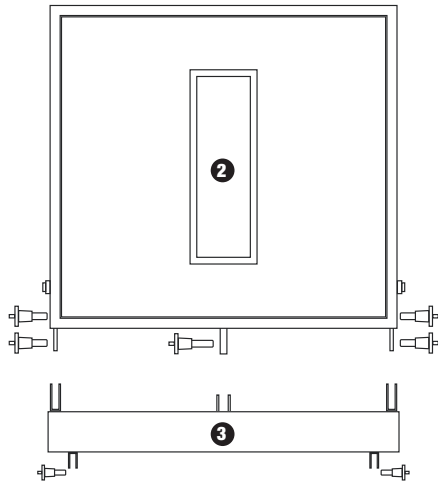
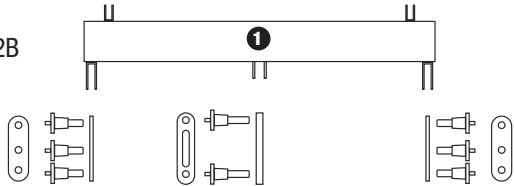
ITALIANO

ZUBEHÖR FÜR LINE ARRAY-ANWENDUNGEN:

BEISPIEL 1

Geflogene Installation mit 1 x LDV212B und 4 x LDVA4:

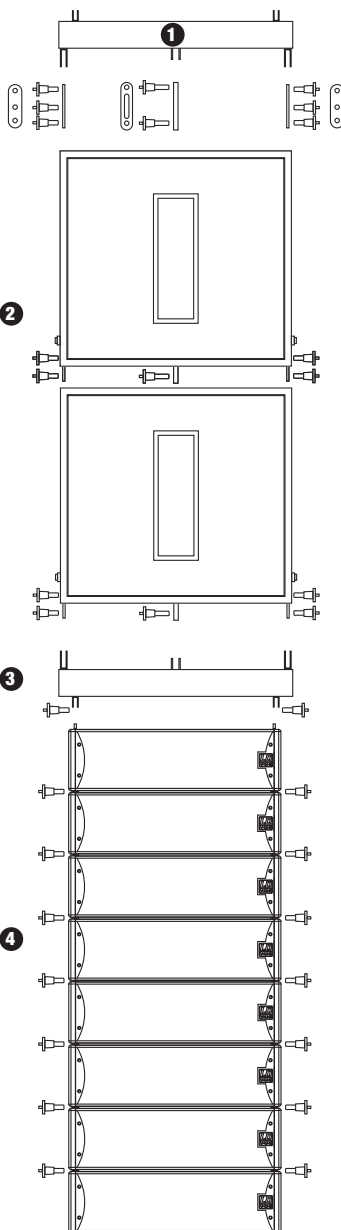
- 1 1x LDV212BF
- 2 1x LDV212B mit
2x Seitliche Verbindungsstücke (5 mm)
1x Rückseitiges Verbindungsstück (10 mm)
6x Verbindungsstifte 10 / 16 mm
2x Verbindungsstifte 10 / 28 mm
- 3 1x LDV212BF
- 4 4x LDVA4



BEISPIEL 2

Geflogene Installation mit 2 x LDV212B und
8 x LDVA4:

- ❶ 1x LDV212BF
- ❷ 2x LDV212B
- ❸ 1x LDV212BF
- ❹ 8x LDVA4

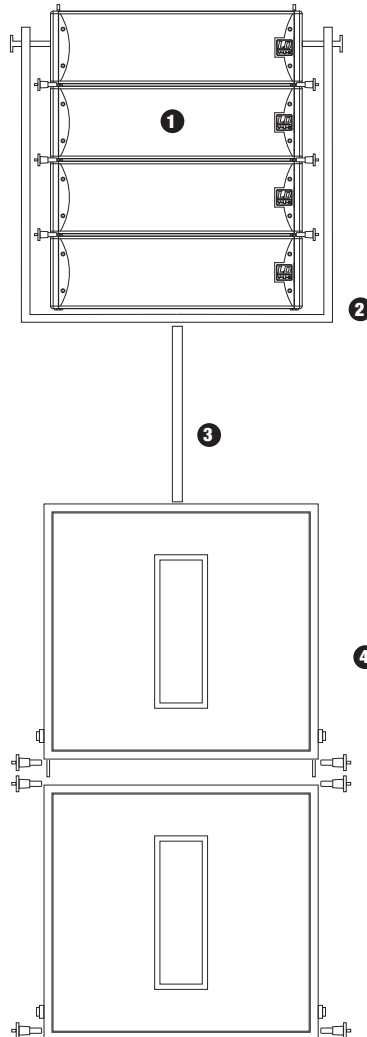


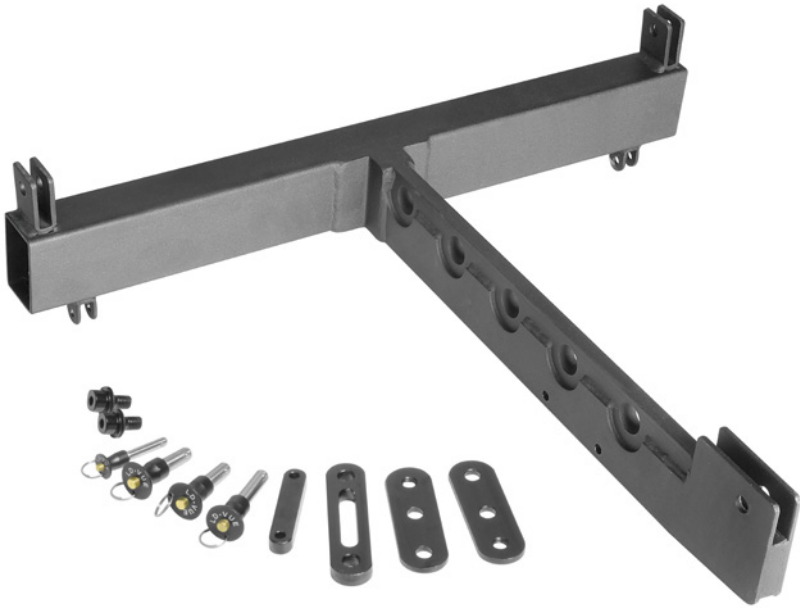
ZUBEHÖR FÜR LINE ARRAY-ANWENDUNGEN:

BEISPIEL 3

Ground Stack mit 2 x LDV212B und 4 x LDVA4:

- ❶ 4x LDVA4
- ❷ 1x LDVA4UF
- ❸ 1x SPS822
- ❹ 2x LDV212B



LDV212BF

ENGLISH

DEUTSCH

FRANCAIS

ESPAÑOL

POLSKI

ITALIANO

TECHNISCHE DATEN:

MODELLBEZEICHNUNG:	LDV212B	
Produktart:	PA-Subwoofer	
Typ:	Passiv	
Größe Tieftöner:	"	2 x 12
Größe Tieftöner:	mm	2 x 304
Magnet Tieftöner:	Neodym	
Marke Tieftöner:	Custom-Modell	
Schwingspule Tieftöner:	"	3
Schwingspule Tieftöner:	mm	76,2
Ausgangsleistung (RMS):	W	700
Leistung (Peak):	W	1400
Frequenzbereich:	Hz	38-200
Schalldruck (1W / 1m):	dB	100
Max. Schalldruck:	dB	128
Impedanz	Ω	4
Eingangsbuchse:	Neutrik NL-4	
Ausgangsbuchse:	Neutrik NL-4	
Gehäusematerial:	15 mm Sperrholz	
Gehäuseoberfläche:	DuraCoat	
Gehäusebauart:	4th Order Bandpass	
Abmessungen (B x H x T):	mm	520 x 487 x 520
Gewicht	kg	31,5
Merkmale:	M20 Gewindeflansch für Hochständer, vorbereitet für Flugbetrieb mit VA4 Line Array, entspricht den Vorschriften der BGV C1	

HERSTELLERERKLÄRUNGEN:

ENGLISH

DEUTSCH

FRANCAIS

ESPAÑOL

POLSKI

ITALIANO

GARANTIEBESTIMMUNGEN

Diese Garantie erstreckt sich auf die Marken Adam Hall, LD Systems, LD Premium, Defender, Palmer, Cameo und Eminence.

Die gesetzlichen Gewährleistungsrechte gegenüber dem Verkäufer werden von dieser Garantie nicht berührt. Vielmehr begründet diese Garantie zusätzliche selbständige Ansprüche gegenüber Adam Hall.

Mit dieser Garantie stellt Adam Hall sicher, dass das von Ihnen bei Adam Hall oder einem Adam Hall Partner erworbene Produkt bei normalem Gebrauch während des Zeitraums von 2 bzw. 5 Jahren ab Kaufdatum frei von Material- oder Verarbeitungsfehlern ist.

Der Garanzzeitraum beginnt mit dem Datum des Kaufs.

Der Geltendmachung eines Anspruchs auf Garantieleistungen erforderliche Nachweis des Kaufdatums, erfolgt durch die mit dem Kaufdatum versehene Quittung oder den mit dem Kaufdatum versehenen Lieferschein. Sie haben Anspruch auf den Garantieservice zu den in diesem Dokument aufgeführten Bedingungen und Bestimmungen, falls eine Reparatur der unter den oben genannten Marken vertriebenen Produkte innerhalb des Garanzzeitraums erforderlich ist.

Diese Garantie gilt nur für den ursprünglichen Käufer des von Adam Hall vertriebenen Produkts und ist nicht an Personen übertragbar, denen vom ursprünglichen Käufer das Eigentum am Adam Hall Produkt übertragen wird. Innerhalb des Garanzzeitraums werden die fehlerhaften Komponenten oder das Produkt von Adam Hall repariert oder ersetzt. Alle im Rahmen dieser Garantie entfernten Komponenten und Hardware-Produkte gehen in das Eigentum von Adam Hall über.

In dem unwahrscheinlichen Fall, dass bei dem von Ihnen erworbenen Adam Hall Produkt ein Fehler wiederholt auftritt, kann Adam Hall nach eigenem Ermessen entscheiden, Ihnen dieses Produkt durch ein vergleichbares Produkt mit mindestens derselben Leistung zu ersetzen.

Adam Hall übernimmt keine Garantie für einen störungs- oder fehlerfreien Betrieb dieses Produkts. Adam Hall übernimmt keine Verantwortung für auf eine inkorrekte Befolgung der im Lieferumfang des Adam Hall enthaltenen Anweisungen zurückzuführenden Schäden.

Diese Garantie erstreckt sich nicht auf

- Verschleißteile (z.B. Akkumulator).
- Geräte deren Seriennummer entfernt wurde oder die beschädigt oder fehlerhaft wurden als Folge eines Unfalls.
- nicht sachgerechter oder missbräuchlicher Verwendung oder anderer missbräuchlicher Verwendung oder anderer äußerer Ursachen.
- Geräte die nicht entsprechend den Betriebsparametern betrieben wurden, die in den im Lieferumfang des Produkts enthaltenen Benutzerunterlagen festgelegt sind.
- Geräte die aufgrund der Verwendung nicht von Adam Hall hergestellter oder vertriebener Teile repariert wurden.
- Geräte die durch Änderung oder Wartung durch jemand anderen als Adam Hall getätigt wurde.

HERSTELLERERKLÄRUNGEN:

Diese Bestimmungen und Bedingungen stellen die vollständige und ausschließliche Garantievereinbarung zwischen Ihnen und Adam Hall für das von Ihnen erworbene Adam Hall Produkt dar.

HAFTUNGSBESCHRÄNKUNG

Wenn das unter der Marke Adam Hall vertriebene Produkt nicht entsprechend der obigen Garantie funktioniert, besteht Ihr alleiniger und ausschließlicher Anspruch aus dieser Garantie in der Reparatur oder dem Ersatz. Weitergehende Gewährleistungsansprüche bleiben hiervon unberührt. Die maximale Haftung von Adam Hall im Rahmen dieser Garantie ist ausdrücklich beschränkt auf den jeweils niedrigeren Betrag, der sich entweder aus dem Kaufpreis für das Produkt oder aus den Reparatur- bzw. Ersatzkosten von Hardware-Komponenten, die bei normalem Gebrauch nicht Ordnungsgemäß funktionieren, ergibt.

Adam Hall haftet aus dieser Garantie nicht für durch das Produkt oder sein versagen verursachte Schäden, einschließlich entgangener Gewinne, unterbliebener Einsparungen oder besonderer, indirekter oder Folgeschäden. Adam Hall haftet zudem nicht für von Dritten oder von ihnen für Dritte geltend gemachte Ansprüche.

Diese Haftungsbeschränkung gilt unabhängig davon, ob Schäden gerichtlich verfolgt werden, ob Schadenersatzansprüche im Rahmen dieser Garantie oder aufgrund unerlaubter Handlungen (Einschließlich Fahrlässigkeit und Gefährdungshaftung) oder aufgrund vertraglicher bzw. sonstiger Ansprüche gestellt werden. Diese Haftungsbeschränkung kann von keiner Person aufgehoben oder ergänzt werden. Diese Haftungsbeschränkung gilt auch dann, wenn sie Adam Hall über die Möglichkeit derartiger Schäden informiert haben. Sie gilt jedoch nicht für Ansprüche aus Personenschäden.

Aus dieser Garantie ergeben sich für Sie bestimmte Rechte. Möglicherweise haben Sie weitere Rechte, die Ihnen von Staat zu Staat und von Land zu Land unterschiedlich sein können. Es ist ratsam, die entsprechenden Gesetze des Staates bzw. Landes heranzuziehen, um Ihre Rechte umfassend zu ermitteln.

INANSPRUCHNAHME DES REPARATURSERVICE

Um den Garantieservice bzw. Reparaturservice für das Produkt in Anspruch zu nehmen, wenden Sie sich bitte an Adam Hall oder an einen Adam Hall Partner, bei dem Sie das Produkt erworben haben.

KORREKTE ENTSORGUNG DIESES PRODUKTES

(Gültig in der Europäischen Union)

Dieses Symbol (entweder auf dem Gerät oder dem dazugehörigen Handbuch) weist darauf hin, dass das Gerät nicht mit dem normalen Hausmüll entsorgt werden darf. Um mögliche Schäden an der Umwelt und an Personen zu verhindern, entsorgen Sie dieses Gerät bitte fachgerecht bei einer entsprechenden Stelle für Elektromüll.

Als Privatkunde Informieren Sie sich bitte beim Hersteller oder bei Ihrer Gemeinde über die Möglichkeiten der korrekten Entsorgung.

Als Geschäftskunde kontaktieren Sie bitte Ihren Lieferanten und prüfen Sie die Konditionen zur Entsorgung der Geräte. Dieses Produkt sollte nicht mit anderem gewerblichen Abfall entsorgt werden.

WEEE-DEKLARATION



Ihr LD-Systems Produkt wurde unter der Verwendung hochwertiger Materialien und Komponenten die wiederverwertet oder wieder verwendet werden können hergestellt. Dieses Symbol weist darauf hin, dass elektronische Geräte nicht im normalen Hausmüll entsorgt werden dürfen. Entsorgen Sie dieses Gerät bitte fachgerecht bei einer entsprechenden Stelle für Elektromüll und helfen Sie dabei unsere Umwelt zu schützen.

BATTERIEN UND AKKUS



Die mitgelieferten Batterien können wiederverwertet werden. Werfen Sie die Batterien daher nicht in den normalen Hausmüll sondern in gesonderte dafür vorgesehene Container. Helfen Sie, unsere Umwelt sauber zu halten.

UMWELTSCHUTZ UND ENERGIESPAREN

Energiesparen ist ein aktiver Beitrag zum Umweltschutz. Schalten Sie bitte alle nicht benötigten elektrischen Geräte aus. Um zu verhindern, dass nicht benötigte Geräte im Standby-Modus Strom verbrauchen, ziehen Sie den Netzstecker.

Adam Hall GmbH, alle Rechte vorbehalten. Die technischen Daten und die funktionalen Produkteigenschaften können Änderungen und Irrtümer vorbehalten. Das Kopieren, die Übersetzung, und alle anderen Formen des Kopierens von Fragmenten oder der Vollständigkeit dieser Bedienungsanleitung ist untersagt.



ENGLISH

DEUTSCH

FRANCAIS

ESPAÑOL

POLSKI

ITALIANO

Merci d'avoir choisi LD-Systems!

Nous avons conçu ce produit afin de vous offrir un matériel fiable, qui vous accompagnera durant de longues années. En achetant l'un des produits de la marque LD-Systems vous bénéficiez de notre compétence reconnue et de nos nombreuses années d'expérience en tant que fabricant. Notre nom est notre garantie.

Veuillez s'il-vous-plait prendre quelques minutes pour lire attentivement ces instructions d'utilisation car nous souhaitons que vous puissiez profiter pleinement et au plus vite de votre matériel LD-Systems.

Pour plus d'informations sur LD-Systems venez visiter notre site WWW.LD-SYSTEMS.COM

Introduction

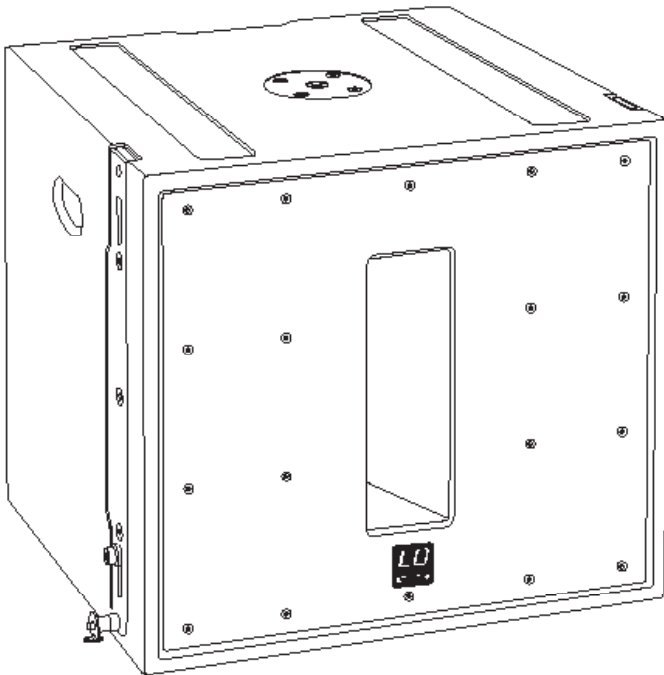
Le LD Systems LDV212B est un caisson de basses intégrant deux boomers 12" et une charge passe-bande du 4^e ordre. De conception ultra-compacte, il utilise des composants de haute qualité et assure d'excellentes performances dans le grave, à un prix très étudié.

Il constitue un complément idéal pour votre line array d'enceintes LD Premium VA4, et s'utilise aussi bien en l'air, grâce à un dispositif d'accroche intégré, que posé au sol.

Combiné aux enceintes line array LD-Premium VA4, il assure un son au spectre large, bien équilibré, pour des dimensions et un coût étonnamment réduits.

LDV212B

CAISSON DE GRAVES DOUBLE 12", CHARGE PASSE-BANDE
DU 4È ORDRE



ENGLISH

DEUTSCH

FRANCAIS

ESPAÑOL

POLSKI

ITALIANO

MESURES PRÉVENTIVES :

1. Veuillez lire attentivement ces instructions.
2. Gardez ces instructions et informations en lieu sûr.
3. Veuillez suivre ces instructions.
4. Veuillez respecter tous les avertissements. N'enlevez pas les instructions de sécurité ou toute autre information collée sur l'appareil.
5. N'utilisez l'appareil que conformément à l'usage auquel il est destiné.
6. Use only stable and appropriate stands and/or mounts when the device is permanently installed. Vérifiez bien que les supports muraux sont solidement fixés. Vérifiez que l'appareil est installé de façon stable, et ne peut tomber.
7. When installing please observe the corresponding safety standards for your country.
8. Do not install the device near radiators, heat accumulators, ovens or other sources of heat. Veillez à assurer un refroidissement suffisant de l'appareil, afin d'éviter
9. 9. Ne posez aucune source de flamme nue sur l'appareil (bougie allumée, par exemple).
10. 10. N'obstruez pas les ouïes de ventilation.
11. Do not operate the device in the immediate vicinity of water. Do not expose this equipment to combustible materials, liquids or gases.
12. Vérifiez qu'aucune éclaboussure ou infiltration d'eau n'est possible dans l'appareil. Do not put objects filled with fluids, such as vases or drinking vessels, on top of the device.
13. Vérifiez qu'aucun objet ne peut tomber dans l'appareil.
14. N'utilisez l'appareil qu'avec des accessoires dont l'emploi a été prévu par le fabricant.
15. ATTENTION : If this device has a mains connector equipped with protective earth, it must be connected to a mains socket with a protective ground connection. Ne désactivez jamais la fonction de protection par mise à la terre du cordon secteur livré.
16. Do not turn on the device immediately if it was exposed to strong temperature fluctuations (for example after transportation). Moisture and condensation may damage the device. Leave the device switched off until it has reached room temperature.
17. Do not open the device and do not make any changes to the device.
18. Before connecting to mains power, make certain that the mains voltage and the mains frequency are the same as the operating values of the device (see type label). If the device is equipped with a supply voltage selector switch, make certain that the values of the device match the values of the mains power before connecting. If the plug on the included cord does not fit your mains outlet, contact your electrician.
19. Veillez à éviter tout piétinement du cordon secteur. Protégez le cordon secteur de toute flexion excessive, que ce soit côté prise murale ou côté appareil.
20. Pour éviter tout dommage ou incident, par exemple si quelqu'un a trébuché sur le câble, vérifiez tous les branchements une fois que vous avez branché l'appareil.
21. Lorsque vous branchez l'appareil, vérifiez que la prise murale reste facilement accessible. Always pull out the power plug when the device is not in use or when you clean the device. Disconnect the power cord by pulling the plug not the cable.
22. Avoid switching the device on and off at short intervals, because it may shorten the durability of the device.
23. IMPORTANT: Replace fuse only by fuse of same type and rating! If fuse blows repeatedly please contact authorized service center!
24. Si vous désirez désolidariser complètement l'appareil de la tension secteur, il faut débrancher la prise murale.

25. If your device is equipped with a Volex power connector, the matching Volex device plug must be unlocked in order to disconnect it. Du même coup, toute sollicitation sur le cordon secteur est susceptible de déplacer l'appareil, ce qui peut provoquer des blessures et/ou des dégâts matériels. Il vaut donc mieux, par conséquent, soigner les passages de câbles.

26. If there is a risk of lightning strike or during extended periods of disuse, unplug the power plug.

27. During transport, make certain that the equipment being transported cannot fall down and possibly cause personal injuries and/or property damage.

28. Si votre appareil ne fonctionne plus correctement, s'il a été exposé à du liquide ou si un objet est tombé à l'intérieur, ou en cas de dommage, quel qu'il soit, éteignez-le immédiatement et débranchez sa prise murale. Cet appareil ne doit être réparé que par des experts autorisés.

29. Pour nettoyer l'appareil, utilisez exclusivement un chiffon sec

30. Respectez toutes les lois en vigueur dans votre pays pour jeter l'emballage. Veuillez séparer le plastique et le papier/carton.

31. Mettez les films plastique hors de portée des enfants.



ATTENTION :

Pour éviter tout risque d'électrocution, ne démontez pas le capot (ou le panneau arrière). L'appareil ne contient aucune pièce réparable par l'utilisateur. Veuillez confier la maintenance de l'appareil à un personnel qualifié.



Le pictogramme d'éclair, ou flèche dans un triangle équilatéral, est prévu pour alerter l'utilisateur de la présence d'une "tension dangereuse" non protégée à l'intérieur du coffret de l'appareil, d'une valeur suffisamment élevée pour constituer un risque pour l'organisme humain.



Le point d'exclamation à l'intérieur d'un triangle équilatéral sert à attirer l'attention de l'utilisateur sur la présence d'instructions importantes, relatives à l'utilisation ou à la maintenance, dans la brochure livrée avec l'appareil.

ATTENTION ! NIVEAUX SONORES ÉLEVÉS !

Cet appareil sera utilisé dans le cadre d'applications professionnelles. Par conséquent, son utilisation commerciale est soumise aux lois et aux réglementations en vigueur dans votre secteur d'activités. En tant que fabricant, Adam Hall est tenu de vous informer formellement de l'existence de certains risques sanitaires.

Dommages auditifs, exposition prolongée à des niveaux sonores excessifs : ce caisson de basses est capable de générer des niveaux de pression sonore (SPL) suffisants pour causer des dommages auditifs irréversibles aux artistes, aux équipes de production et au public. Attention à éviter toute exposition prolongée à des niveaux de pression sonore supérieurs à 90 dB SPL.

PANNEAU ARRIÈRE :

ENGLISH

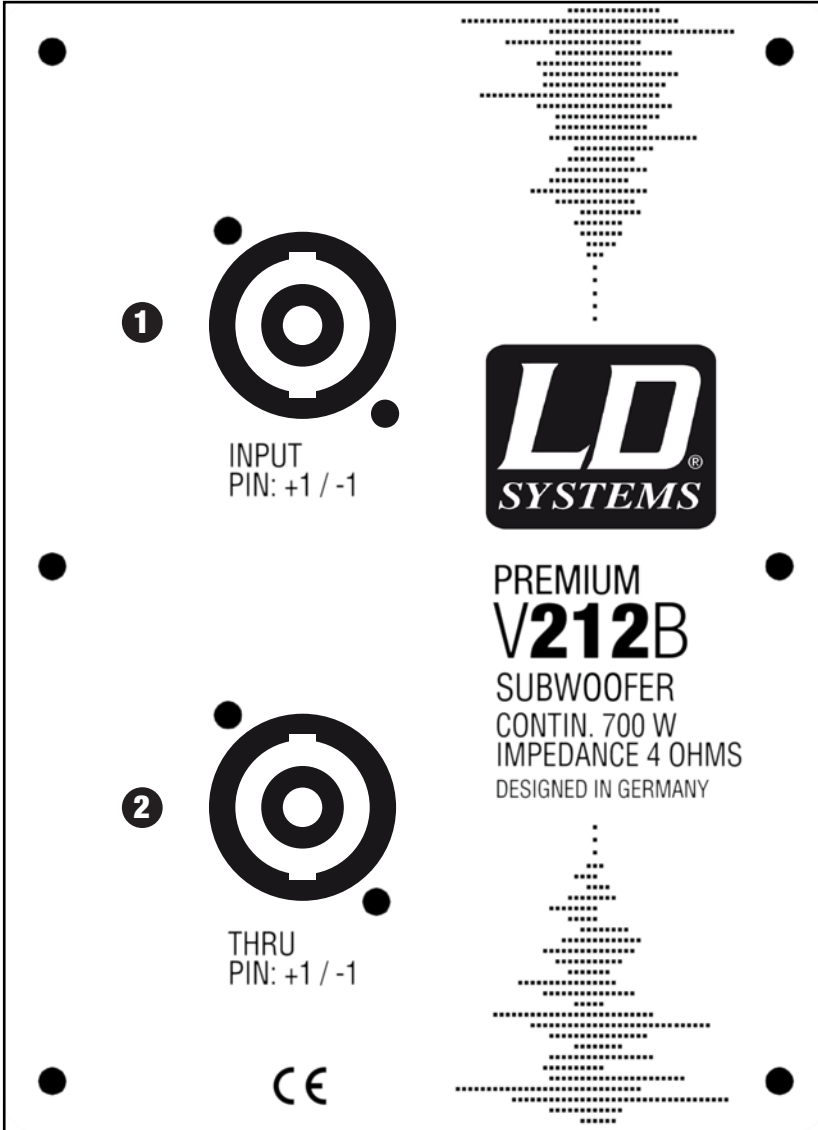
DEUTSCH

FRANCAIS

ESPAÑOL

POLSKI

ITALIANO



1 INPUT

Entrée au niveau haut-parleur (sur Speakon)

2 THRU

Renvoi du signal haut-parleur. Les connecteurs Speakon INPUT et THRU sont câblés en parallèle [1+ / 1-].

COMPOSANTS POUR CONFIGURATION LINE ARRAY:

EXEMPLE 1

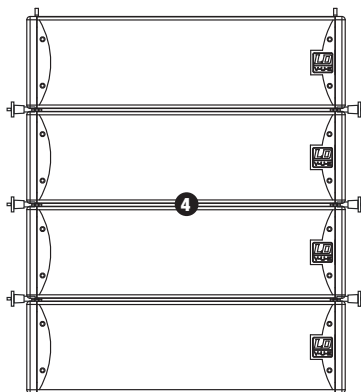
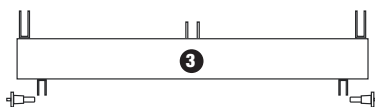
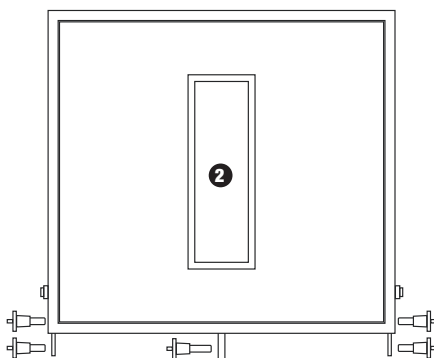
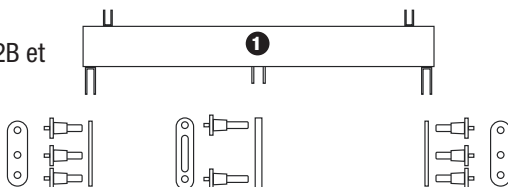
Configuration suspendue, 1 x LDV212B et
4 x LDVA4 :

❶ 1 x LDV212BF

❷ 1 x LDV212B avec
2 pièces de fixation latérale (5 mm)
1 pièce de connexion arrière (10 mm)
6 goupilles 10 / 16 mm
2 goupilles 10 / 28 mm

❸ 1 x LDV212BF

❹ 4 x LDVA4



EXEMPLE 2

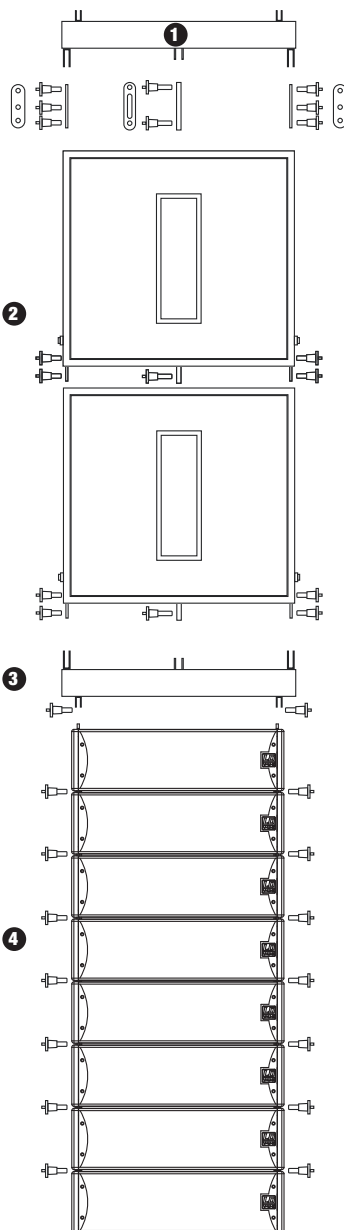
Configuration suspendue, 2 x LDV212B et
8 x LDVA4 :

❶ 1 x LDV212BF

❷ 2 x LDV212B

❸ 1 x LDV212BF

❹ 8 x LDVA4

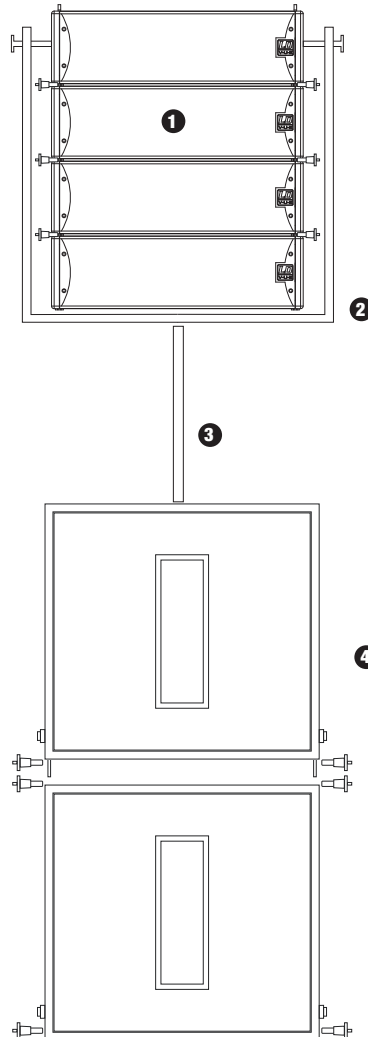


COMPOSANTS POUR CONFIGURATION LINE ARRAY :

EXEMPLE 3

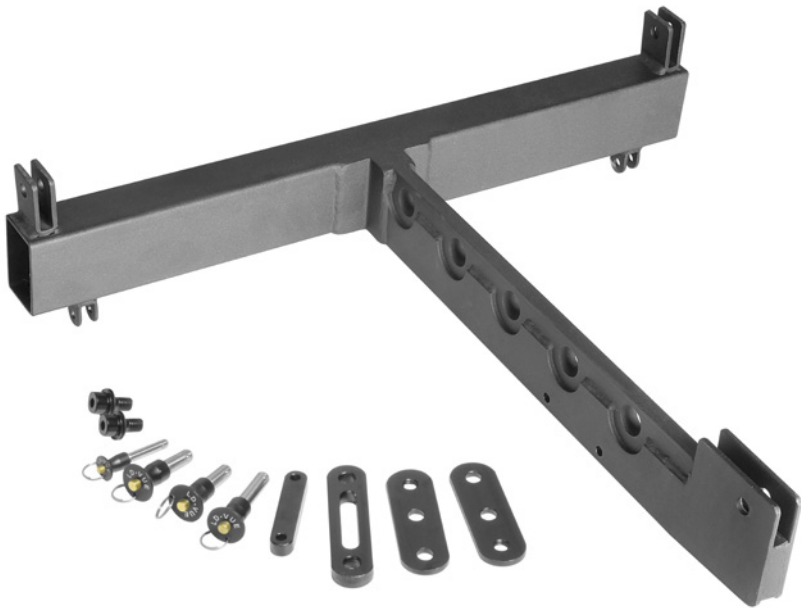
Configuration posée au sol, 2 x LDV212B et 4 x LDVA4 :

- ❶ 4 x LDVA4
- ❷ 1 x LDVA4UF
- ❸ 1 x SPS822
- ❹ 2 x LDV212B



ACCESSOIRES :

LDV212BF



ENGLISH

DEUTSCH

FRANCAIS

ESPAÑOL

POLSKI

ITALIANO

CARACTÉRISTIQUES :

RÉFÉRENCE :	LDV212B	
Type produit :	Caisson de basses pour sonorisation	
Type :	passif	
Diamètre boomer :	(en pouces)	2 x 12
Diamètre boomer :	(en mm)	2 x 304
Aimant boomer :	Néodyme	
Marque boomer	fabrication sur cahier de charges	
Diamètre bobine mobile boomer :	(en pouces)	3
Diamètre bobine mobile boomer :	(en mm)	76,2
Puissance (eff.) :	(en W)	700
Puissance (crête) :	(en W)	1400
Bande passante :	(en Hz)	38 - 200
Efficacité [pour 1 W/1 m]	(en dB SPL)	100
Niveau de pression sonore maximal :	(en dB SPL)	128
Impédance nominale :	(en Ω)	4
Connecteur d'entrée :	Neutrik NL-4	
Connecteur de sortie :	Neutrik NL-4	
Matériau coffret :	Multiplis bouleau Baltique, épaisseur 15 mm	
Revêtement :	DuraCoat	
Type de coffret (charge) :	Passe-bande du 4 ^e ordre	
Dimensions (L x H x P) :	(en mm)	520 x 487 x 520
Poids	(en kg)	31,5
Fonctionnalités :	Puits fileté M20 pour pied enceinte, compatible accroche avec enceintes line array LDVA4 Approuvé BGV C1.	

DECLARATIONS DU FABRICANT :

ENGLISH

DEUTSCH

FRANCAIS

ESPAÑOL

POLSKI

ITALIANO

GARANTIE LIMITÉE:

Cette garantie limitée s'applique aux produits de la marque Adam Hall, LD Systems, LD Premium, Defender, Palmer, Cameo et Eminence.

Les droits inhérents à la garantie légale vis-à-vis du revendeur ne sont pas affectés par cette garantie. En fait elle justifie d'une garantie supplémentaire indépendante auprès de la société Adam Hall.

La société Adam Hall garantit que le produit que vous avez acheté Adam Hall ou à l'un de ses revendeurs officiels, est exempt de défaut matériel et d'usinage pour une durée de 2 ans (ou 5 ans pour les produits Palmer) à partir de la date d'achat, lorsqu'il est utilisé dans des conditions normales.

La période de garantie limitée débute le jour de l'achat du produit. Pour bénéficier de cette garantie vous devez produire une preuve d'achat sur laquelle figure la date d'achat du produit (ex : ticket de caisse daté, bon de livraison daté...). Si un produit d'une des marques citées ci-dessus venait à nécessiter une réparation durant la période de garantie limitée, vous aurez alors le droit de bénéficier des services de la garantie selon les termes et conditions mentionnés par ce document.

Cette garantie limitée ne s'applique qu'à l'acheteur initial de ce produit Adam Hall et ne peut être en aucun cas transférée à un tiers devenu propriétaire du produit. Durant la période de garantie limitée, Adam Hall s'engage à réparer ou remplacer les pièces défectueuses du produit. Toutes les pièces ou éléments démontés lors d'une réparation par Adam Hall deviennent la propriété d'Adam Hall.

Dans le cas improbable d'un défaut récurrent, Adam Hall peut, à sa discrétion, décider de vous fournir un produit de remplacement de son choix, dont les capacités techniques sont au moins équivalentes à celles de votre produit initial.

Adam Hall ne garantit pas que le fonctionnement de ce produit sera exempt d'erreur ou ininterrompu. Adam Hall ne peut pas être rendu responsable des dégâts résultant de votre manquement à suivre les instructions d'utilisation fournies avec votre produit.

Cette garantie limitée ne s'applique pas,

- aux pièces d'usure (ex: piles)
- aux produits dont le numéro de série a été effacé ou aux produits endommagés ou rendus défectueux par accident
- dans le cas d'une utilisation non conforme aux conditions normales d'utilisation, dans le cas d'abus ou toute autre cause externe
- dans le cas d'un usage du produit en dehors des paramètres d'utilisation stipulés dans la documentation fournie avec le produit
- dans le cas de l'usage de pièces de remplacement n'étant pas fabriquées ou vendues par Adam Hall
- dans le cas d'une modification du produit ou d'une réparation par quiconque autre qu'Adam Hall

Ces termes et conditions constituent l'accord de garantie complet et exclusif entre vous et Adam Hall concernant le produit de la marque Adam Hall que vous vous êtes procuré.

DECLARATIONS DU FABRICANT :

LIMITATION OF LIABILITY

Si votre produit Adam Hall devait ne pas fonctionner correctement, votre seul et unique dédommagement sera la réparation du produit ou son remplacement. La responsabilité maximale imputable à Adam Hall dans le cadre de cette garantie limitée se limite au montant le plus bas. Ce montant découle du prix d'achat du produit ou bien du coût de la réparation ou des pièces de remplacement qui sont tombés en panne dans des conditions d'utilisation normales.

Adam Hall n'est pas responsable des dommages causés par le produit ou par un dysfonctionnement du produit, y compris les pertes de profits, les pertes d'épargne, et les conséquences inhérentes à ces dommages. La responsabilité d'Adam Hall ne peut pas être engagée dans le cas d'une réclamation par un tiers ou dans le cas d'une réclamation émanant de l'acheteur initial pour le compte d'un tiers.

Cette limitation de responsabilité est valable indépendamment du fait que les dommages commis fassent l'objet de poursuites judiciaires, qu'ils fassent l'objet de réclamation (y compris pour négligence), de réclamations contractuelles ou tout autre réclamation. Cette limitation de responsabilité ne peut être amendée ou dérogée par quiconque. Elle est effective même si vous aviez avisé Adam Hall ou l'un de ses représentants officiels de la possibilité d'un tel dommage. Toutefois cette limitation de responsabilité est sans effet dans le cas de réclamations pour dommages corporels.

Cette garantie limitée vous confère des droits légaux spécifiques. Selon votre pays, ou l'État dans lequel vous vous trouvez, il est possible que vous disposiez d'autres droits. Veuillez consulter les lois applicables dans votre pays ou votre État pour déterminer l'ensemble de vos droits.

FAIRE FONCTIONNER LA GARANTIE

Pour faire fonctionner la garantie sur ce produit, veuillez contacter Adam Hall ou le revendeur agréé auquel vous avez acheté le produit.

ELIMINATION CORRECTE DES DÉCHETS (DÉCHETS ÉLECTROMÉNAGERS)



(Applicable dans l'Union Européenne et dans les autres pays européens disposant d'un système de tri des déchets)

Ce signe figurant sur le produit, ou dans la brochure jointe au produit, indique qu'il ne doit pas être jeté dans le même bac à ordures que les déchets ménagers classiques lorsqu'il arrive en fin de vie. Pour écarter les risques de pollution de l'environnement ou les risques d'intoxication humaine dues à un mauvais traitement des déchets, veuillez séparer ce produit des autres types de déchets. Il sera ainsi inséré dans la boucle du recyclage et ces composants pourront être traités puis éventuellement réutilisés.

Nous recommandons aux particuliers de contacter leur revendeur local ou les autorités locales pour s'informer de la meilleure façon de traiter les déchets électroménagers.

Les professionnels doivent contacter leur fournisseur et examiner avec lui les termes et conditions de leur contrat d'achat. Ce produit ne doit pas être mélangé aux déchets industriels.

DECLARATION WEEE

Votre produit LD-Systems a été développé et fabriqué avec des matériaux et des composants de haute qualité, qui peuvent être recyclés et/ou réutilisés. Ce symbole indique que les appareils électriques et électroniques, à la fin de leur durée de vie opérationnelle, doivent être gérés séparément des déchets ordinaires.

Veuillez apporter ce produit au point de collecte ou centre de recyclage local prévu pour de tels appareils. Vous contribuerez ainsi à la protection de l'environnement dans lequel nous vivons tous.

BATTERIES ET ACCUMULATEURS

Les piles ou batteries rechargeable livrées avec l'appareil sont recyclables. Veuillez les jeter dans un bac à déchets spécial, ou déposez-les chez votre revendeur spécialisé. Pour une meilleure protection de l'environnement, ne jetez les piles que lorsqu'elles sont épuisées.

ÉCOLOGIE ET ÉCONOMIES D'ÉNERGIE

Économiser l'électricité contribue à la protection de l'environnement. Pensez à éteindre les appareils électriques dès que vous ne vous en servez pas. Pour éviter le gaspillage d'énergie en mode Standby (veille), débranchez le cordon secteur de la prise murale lorsqu'un appareil n'est pas utilisé.

Adam Hall GmbH, tous droits réservés. Les caractéristiques techniques et les fonctions disponibles sur le produit sont sujettes à modifications. La photocopie, la traduction et toute forme de copie, partielle ou intégrale, de ce manuel utilisateur sont interdites.



ENGLISH

DEUTSCH

FRANÇAIS

ESPAÑOL

POLSKI

ITALIANO

Gracias por elegir LD-Systems!

Este producto se ha diseñado para ofrecer una fiabilidad y durabilidad óptima. Los productos de LD-Systems se caracterizan por su gran calidad, avalada por el prestigio de la marca y una dilatada experiencia como fabricante.

Le rogamos que lea atentamente estas instrucciones para familiarizarse rápidamente con este producto LD-Systems y aprovechar al máximo todas las funciones.

Si desea obtener información sobre LD-Systems, visite nuestro sitio web WWW.LD-SYSTEMS.COM

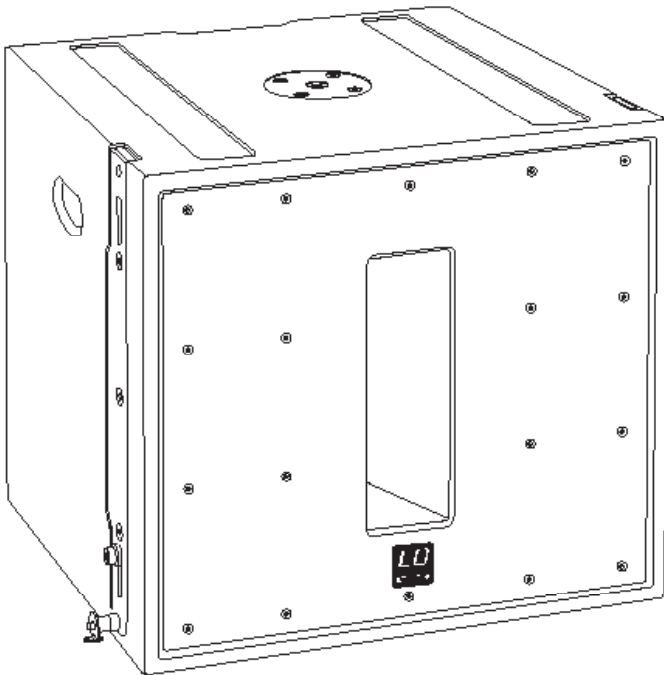
Introducción

El LDV212B de LD-Systems es un doble subwoofer de 12" pasabanda con filtrado de 4º orden que tiene unos componentes de alta calidad, un diseño ultra compacto y unos bajos potentes, y todo ello a un precio razonable. Es ideal para los sistemas line array de la serie VA4 LD-Premium y puede instalarse tanto apilado sobre el suelo como volado, gracias a sus puntos integrados de volado.

Cuando funciona con los altavoces VA4 de LD-Premium se consigue un sistema full range bien equilibrado, de pequeñas dimensiones y a un coste reducido.

LDV212B

DOBLE SUBWOOFER DE 12" PASABANDA DE 4º ORDEN



ENGLISH

DEUTSCH

FRANCAIS

ESPAÑOL

POLSKI

ITALIANO

MEDIDAS DE SEGURIDAD:

1. Lea detenidamente este manual.
2. Guarde el manual para poder consultarlo en el futuro.
3. Siga las instrucciones del manual.
4. Tenga en cuenta las advertencias de seguridad. No quite las instrucciones de seguridad ni cualquier otra información indicada en el equipo.
5. Utilice el equipo únicamente según la finalidad prevista.
6. Emplee un soporte y/o sistema de fijación estables y adecuados cuando instale el equipo de forma permanente. Asegúrese de que los soportes para pared están firmemente fijados. Asegúrese de que el equipo está instalado de forma segura y no se puede caer.
7. Al instalar el equipo, respete las normas de seguridad aplicables en su país.
8. Evite colocar el equipo cerca de radiadores, acumuladores de calor o cualquier otra fuente de calor. Asegúrese de que el equipo dispone de la suficiente ventilación y de que no se sobrecalentará.
9. No coloque velas encendidas, ni otras fuentes de llama, sobre el equipo.
10. No tape las rejillas de ventilación.
11. No utilice el equipo cerca del agua. No exponga este equipo a materiales, líquidos o gases inflamables.
12. Asegúrese de que el equipo no quede expuesto a goteras o salpicaduras de agua. No coloque recipientes llenos de líquido, como floreros o copas, sobre el equipo.
13. Asegúrese de que no se caiga ningún objeto sobre el equipo.
14. Emplee el equipo únicamente con los accesorios recomendados por el fabricante.
15. **ADVERTENCIA:** Si el equipo tiene un conector de tierra, deberá enchufarse a una toma eléctrica con conexión de protección a tierra. No desactivar nunca esta conexión de protección a tierra del cable eléctrico.
16. Si el equipo ha estado expuesto a un cambio brusco de temperatura (por ejemplo, después del transporte), no lo encienda inmediatamente. La condensación o la humedad podrían dañar el equipo. Deje el equipo apagado hasta que haya alcanzado la temperatura ambiente.
17. No abra el equipo ni intente modificarlo.
18. Antes de conectar el equipo a la red eléctrica, asegúrese de que la tensión y frecuencia son las mismas que los valores indicados en el equipo (ver etiqueta de especificaciones). Si el equipo dispone de un selector de tensión, antes de enchufarlo a la red eléctrica, asegúrese de que el valor seleccionado coincide con la tensión de suministro.
Si el enchufe no encaja en la toma eléctrica, consulte a un electricista.
19. Asegúrese de que el cable eléctrico no está pinzado. Evite que el cable resulte pellizcado, sobre todo en los extremos de conexión al equipo y en la toma eléctrica.
20. Para evitar accidentes y daños personales, compruebe que en toda la longitud del cableado no hay peligro de que provoque una caída, por ejemplo.
21. Al conectar el equipo, asegúrese de que haya una toma eléctrica accesible.
Desenchufe el equipo de la toma eléctrica cuando no esté en uso o antes de limpiarlo. Para desenchufarlo tire del enchufe, no del cable eléctrico.
22. Evite encender y apagar el equipo en cortos intervalos de tiempo, ya que se reduce así la vida útil del equipo.
23. **IMPORTANTE:** Al sustituir los fusibles, utilice únicamente fusibles del mismo tipo y características. Si el fusible se fundiera continuamente, póngase en contacto con un servicio técnico autorizado.
24. Para desconectar completamente el equipo de la tensión eléctrica, desenchúfelo de la toma eléctrica.
25. Si el equipo dispone de un enchufe eléctrico Volex, deberá desbloquearse el Volex del equipo para desenchufarlo. Esto implica que un tirón en el cable eléctrico puede desplazar el equipo y provocar daños personales o

materiales. Por tanto, asegúrese de instalar los cables con sumo cuidado.

26. Si es probable que caiga un rayo por una tormenta eléctrica o si no va a emplear el equipo durante mucho tiempo, desenchufe el cable eléctrico.

27. Al transportar el equipo, para evitar daños personales o materiales, asegúrese de que no se pueda caer accidentalmente.

28. Si el equipo no funciona correctamente, o si se ha vertido líquido sobre él, o si un objeto ha caído en su interior o si ha sufrido algún desperfecto, apague inmediatamente el equipo y desenchufe el cable eléctrico. Únicamente un técnico especialista debe reparar el equipo.

29. Emplee un paño seco para limpiar el equipo.

30. Siga las normas sobre reciclaje existentes en su país. Separe el plástico del papel y cartón.

31. No deje las bolsas de plástico al alcance de los niños.



ADVERTENCIA:

Para evitar el riesgo de descarga eléctrica, no retire la tapa (o el panel posterior). Este equipo no contiene piezas que puedan ser reparadas por el usuario. Para cualquier tarea de mantenimiento o reparación, acuda a un técnico cualificado.



El símbolo de rayo dentro de un triángulo equilátero advierte al usuario de la presencia de tensión peligrosa sin aislamiento dentro de la carcasa del producto que pueden ser de magnitud suficiente como para suponer un riesgo para las personas.



El símbolo de exclamación dentro de un triángulo equilátero advierte al usuario de la existencia de importantes instrucciones de funcionamiento y mantenimiento (reparaciones) en la documentación adjunta con el equipo.

ADVERTENCIA: ¡ALTO VOLUMEN!

Este sistema de transmisión se destina a un uso profesional. Por consiguiente, si se aplica a un uso comercial, estará sujeto a las normas y reglamentos de la Asociación para la prevención de accidentes de su sector profesional. Como fabricante, Adam Hall tiene la obligación de informar formalmente a los usuarios de la existencia de posibles riesgos para la salud.

Daños auditivos por exposición prolongada a un nivel SPL alto: el altavoz puede generar fácilmente un nivel de presión sonora (SPL) lo suficientemente elevado como para causar daños auditivos permanentes a los artistas, el personal de producción y el público. Deben tomarse precauciones para evitar la exposición prolongada a un SPL de más de 90 dB.

PANEL POSTERIOR:

ENGLISH

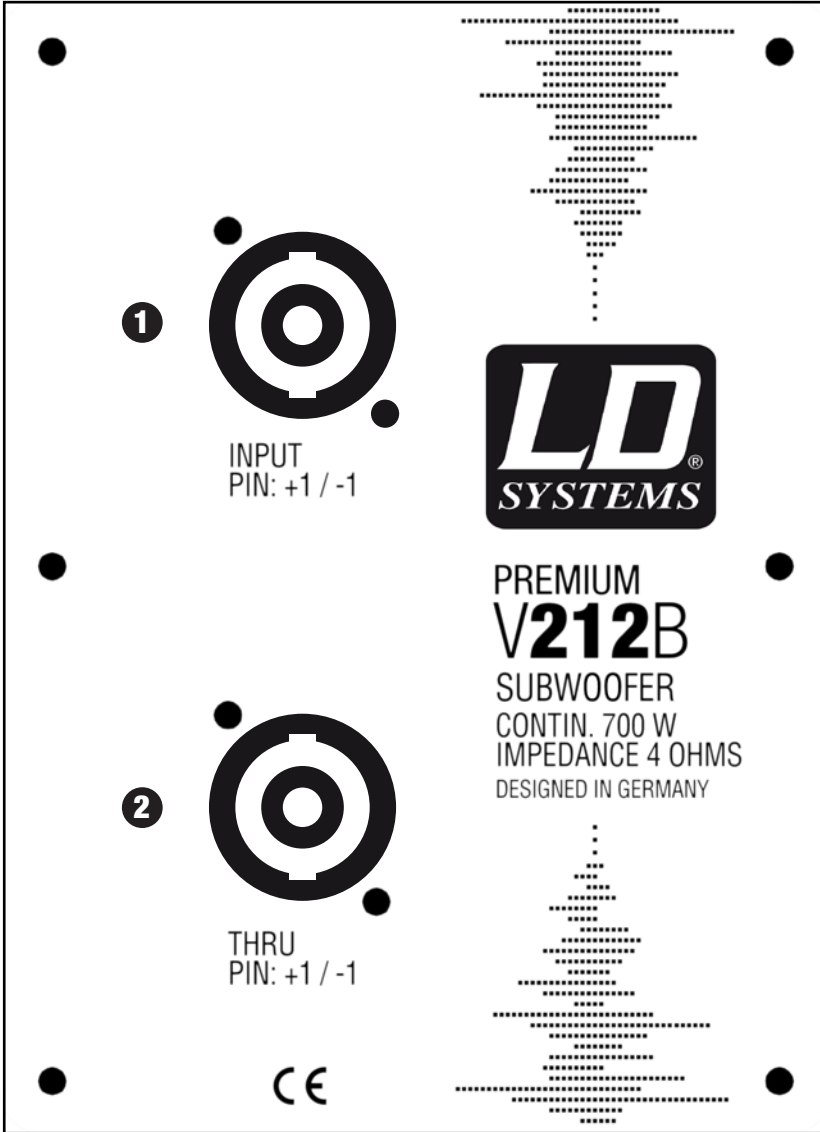
DEUTSCH

FRANCAIS

ESPAÑOL

POLSKI

ITALIANO



1 INPUT

Entrada de altavoz (conector Speakon).

2 THRU

La entrada Speakon y los conectores THRU están conectados en paralelo (+1/-1).

COMPONENTES DE UN LINE ARRAY:

EJEMPLO 1

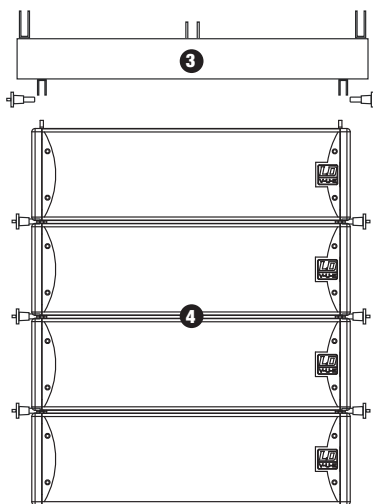
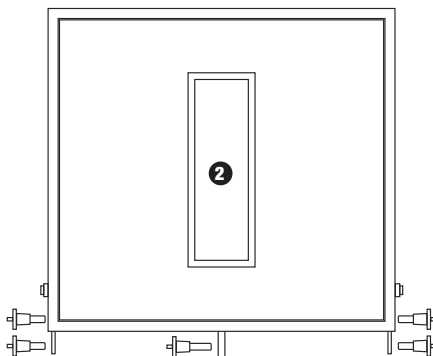
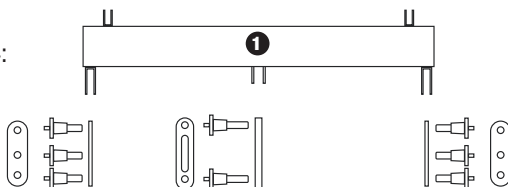
Volado con 1 x LDV212B y 4 x LDVA4:

1 1 x LDV212BF

2 1 x LDV212B, incluidos
 2 x accesorios de conexión lateral (5 mm)
 1 x accesorio de conexión posterior (10 mm)
 6 x pasadores 10/16 mm
 2 x pasadores 10/28 mm

3 1 x LDV212BF

4 4 x LDVA4



EJEMPLO 2

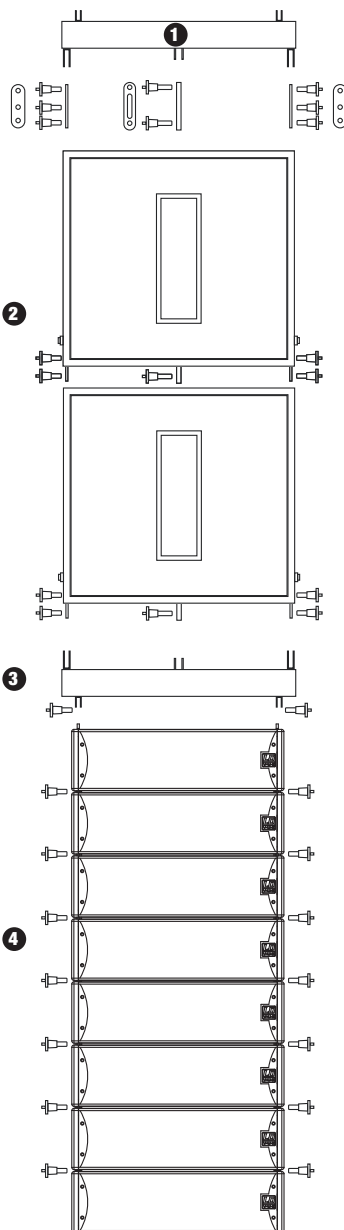
Volado con 2 x LDV212B y 8 x LDVA4:

❶ 1 x LDV212BF

❷ 2 x LDV212B

❸ 1 x LDV212BF

❹ 8 x LDVA4

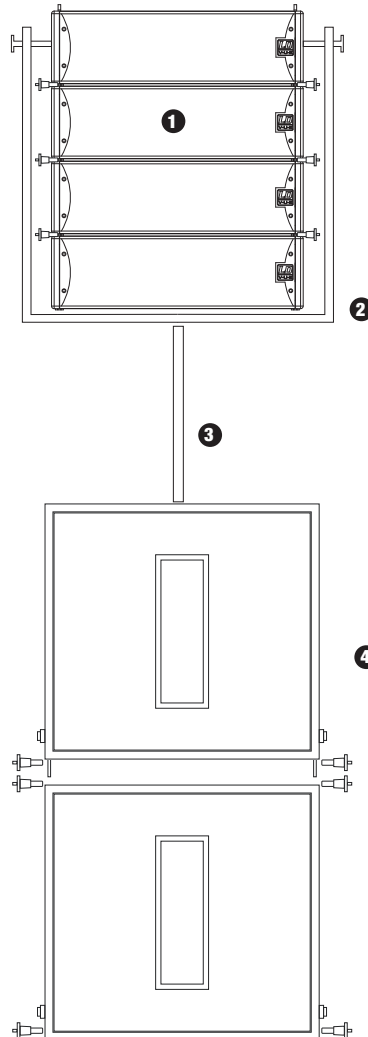


COMPONENTES DE UN LINE ARRAY:

EJEMPLO 3

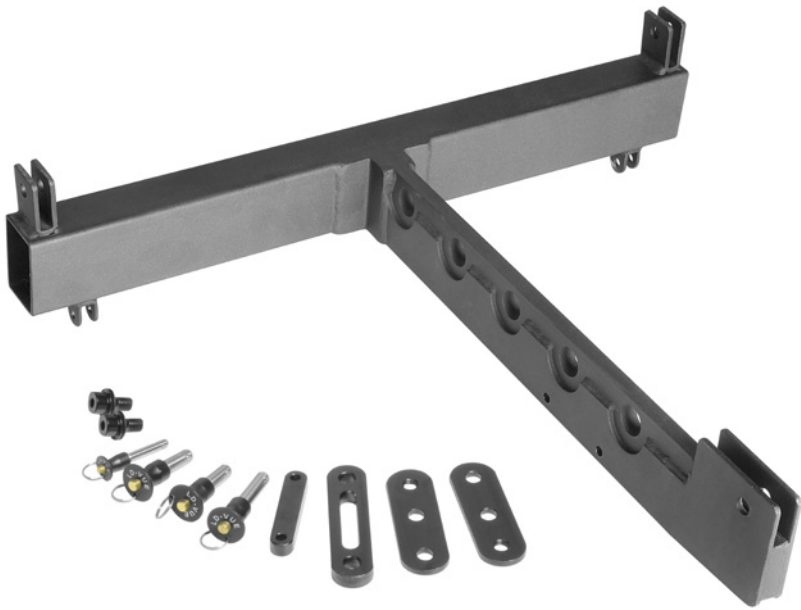
Apilado sobre el suelo con 2 x LDV212B y 4 x LDVA4:

- ❶ 4 x LDVA4
- ❷ 1 x LDVA4UF
- ❸ 1 x SPS822
- ❹ 2 x LDV212B



ACCESORIOS:

LDV212BF



ENGLISH

DEUTSCH

FRANCAIS

ESPAÑOL

POLSKI

ITALIANO

CARACTERÍSTICAS TÉCNICAS:

MODELO:	LDV212B	
Producto:	subwoofer de PA	
Tipo:	pasivo	
Tamaño de woofer:	"	2 x 12
Tamaño de woofer:	mm	2 x 304
Imán del woofer:	neodimio	
Marca del woofer:	Custom Made	
Bobina del woofer:	"	3
Bobina del woofer:	mm	76,2
Potencia (RMS):	W	700
Potencia (pico):	W	1400
Banda de frecuencias:	Hz	38 - 200
SPL (1 W a 1 m):	dB	100
SPL máx.	dB	128
Impedancia	Ω	4
Conector de entrada:	Neutrik NL-4	
Conector de salida:	Neutrik NL-4	
Material de la caja:	contrachapado de abedul báltico de 15 mm	
Acabado de la caja:	DuraCoat	
Diseño del baffle:	pasabanda de 4º orden	
Dimensiones (An x Al x F)	mm	520 x 487 x 520
Peso	kg	31,5
Características:	rosca de unión M20 para barra de extensión, preparado para volado con line array LDVA4. Cumple la norma BGV C1.	

DECLARACIÓN DEL FABRICANTE:

GARANTÍA LIMITADA

Esta garantía limitada se aplica a los productos de la marca Adam Hall, LD Systems, LD Premium, Defender, Palmer, Cameo y Eminence.

No afecta a los derechos de garantía legal que asume el vendedor. De hecho, le concede al usuario derechos adicionales ante Adam Hall, independientes de la garantía legal.

Adam Hall garantiza que el producto que ha adquirido de Adam Hall o de cualquier distribuidor autorizado de Adam Hall estará exento de defectos de material y mano de obra, en condiciones normales de uso, durante un período de 2 o 5 años a partir de la fecha de compra.

La garantía limitada entra en vigor el día de la fecha de compra. Para tener derecho a esta garantía será necesario presentar un justificante de compra válido en el que figure la fecha de compra del producto, por ejemplo, la factura o el albarán de entrega. Si el producto que ha adquirido necesitara una reparación durante la vigencia de la garantía limitada, tendrá derecho a obtener los servicios de garantía conforme a los términos y condiciones establecidos en este documento.

Esta garantía limitada se aplica únicamente al comprador original de este producto de Adam Hall y no se puede transferir a terceras personas a las que el comprador haya cedido la propiedad del producto. Durante el período de garantía limitada, Adam Hall se compromete a reparar o sustituir las piezas defectuosas del producto. Todas las piezas o componentes retirados durante la reparación pasarán a ser propiedad de Adam Hall.

En el caso poco probable de que se produzca un fallo recurrente en el producto adquirido, Adam Hall, a su entera discreción, podrá optar por sustituir dicho producto por otro de similares características.

Adam Hall no garantiza el funcionamiento ininterrumpido y sin fallos de este producto. Adam Hall no se hace responsable de los posibles daños ocasionados por no seguir las instrucciones de uso suministradas con el producto Adam Hall.

Esta garantía limitada no se aplica:

- en caso de desgaste normal de los consumibles (baterías, etc.)
- a los productos cuyo número de serie ha sido borrado, o que han quedado dañados y defectuosos debido a un accidente
- en caso de defectos ocasionados por una incorrecta utilización o manipulación, o cualquier otra causa ajena
- en caso de utilización del producto no conforme con los parámetros establecidos en la documentación facilitada con el producto
- en caso de utilización de piezas de repuesto no fabricadas o vendidas por Adam Hall
- si el producto ha sido modificado o reparado por personal no autorizado por Adam Hall

Estos términos y condiciones constituyen el acuerdo de garantía íntegro y exclusivo entre usted y Adam Hall en relación con el producto Adam Hall que acaba de adquirir.

ENGLISH

DEUTSCH

FRANCAIS

ESPAÑOL

POLSKI

ITALIANO

DECLARACIÓN DEL FABRICANTE:

LIMITACIÓN DE RESPONSABILIDAD

Si su producto Adam Hall no funciona de acuerdo con las garantías mencionadas arriba, tendrá derecho exclusivamente a la reparación o sustitución del mismo. La responsabilidad máxima de Adam Hall en virtud de los términos de esta garantía está limitada al menor importe que resulte del precio de compra del producto, del coste de la reparación o la sustitución de las piezas que han dejado de funcionar en condiciones normales de uso.

Adam Hall no será responsable de cualquier daño causado por el producto o por el mal funcionamiento del producto, incluidas la pérdida de ganancias, la pérdida de ahorros o cualquier consecuencia derivada de dichas pérdidas. Adam Hall no se hará responsable de ninguna reclamación presentada por un tercero o por el comprador inicial en nombre de un tercero.

Esta limitación de responsabilidad se aplicará con independencia de que se solicite una indemnización por daños y perjuicios, o se presenten reclamaciones por negligencia, contractuales o de cualquier otra índole, y no podrá ser derogada o modificada. Esta limitación de responsabilidad será efectiva incluso en el caso de que el comprador hubiese avisado previamente a Adam Hall o a alguno de sus representantes de la posibilidad de reclamar daños y perjuicios. No obstante, esta limitación de responsabilidad no tendrá efecto en caso de reclamación por daños personales.

Esta garantía limitada le otorga derechos legales específicos. Puede que posea derechos adicionales conforme a la legislación del país o Estado en el que se encuentre. Le recomendamos que consulte la legislación vigente en su país o Estado para conocer el alcance de sus derechos.

APLICACIÓN DE LA GARANTÍA

Para solicitar asistencia técnica en relación con el producto en garantía, póngase en contacto con Adam Hall o con el distribuidor autorizado donde adquirió el producto.

ELIMINACIÓN CORRECTA DE ESTE PRODUCTO (DESECHOS ELÉCTRICOS)



(Aplicable en la Unión Europea y en los países europeos que dispongan de un sistema de recogida selectiva)

El símbolo que aparece sobre el producto o en la documentación adjunta indica que, al final de su vida útil, no deberá desecharse con los demás residuos domésticos. Para evitar posibles efectos negativos en el medio ambiente y en la salud humana debidos al vertido incontrolado de desechos, no mezcle este producto con los demás residuos. La recogida selectiva ayuda a su posterior reciclaje y fomenta la reutilización sostenible de los componentes de este equipo.

Si usted es un particular, deberá ponerse en contacto con el distribuidor donde adquirió este producto, o con el ayuntamiento, para informarse sobre el reciclaje adecuado de este equipo.

Si usted es una empresa, deberá ponerse en contacto con su proveedor e informarse sobre los términos y condiciones de su contrato de compra-venta. Este producto no debe mezclarse con otros residuos industriales.

DECLARACIÓN SOBRE WEEE

Este producto LD-Systems se ha desarrollado y fabricado con materiales y componentes de alta calidad que se pueden reciclar o reutilizar. Este símbolo indica que los equipos eléctricos y electrónicos deben separarse del resto de residuos comunes al final de su vida útil.

Para desechar este producto, llévelo al punto de recogida municipal o al centro de reciclaje específico para este tipo de equipos. De este modo, contribuirá a proteger el medioambiente.

PILAS Y ACUMULADORES

Las pilas suministradas o las pilas recargables se pueden reciclar. Para desecharlas, deposítelas en un contenedor especial o entréguelas a su proveedor especializado. Para proteger el medioambiente, deseché sólo pilas gastadas.

ECOLOGÍA Y AHORRO ENERGÉTICO

Ahorre energía eléctrica para proteger el medio ambiente. Para ello, apague todos los aparatos eléctricos cuando no estén en uso. Además, para evitar el consumo de energía en modo inactivo, desconecte todo aparato eléctrico de la toma de corriente cuando no esté en uso.

Adam Hall GmbH. Todos los derechos reservados. Los datos técnicos y las características funcionales del producto están sujetos a modificaciones. Se prohíbe la fotocopia, traducción y cualquier otra forma de reproducción parcial o total de este manual de usuario.

Dziękujemy za wybór LD Systems!

Zaprojektowaliśmy ten produkt tak, aby działał sprawnie przez wiele lat. LD-Systems gwarantuje wysoką jakość produktów swoją marką i wieloma latami doświadczenia jako producent.

Prosimy abyś zapoznał się dokładnie z niniejszą instrukcją, ponieważ chcemy abyś szybko mógł cieszyć się w pełni swoim nowym produktem LD Systems.

Więcej informacji na temat LD Systems znajdziesz na naszej stronie internetowej: WWW.LD-SYSTEMS.COM

Wstęp

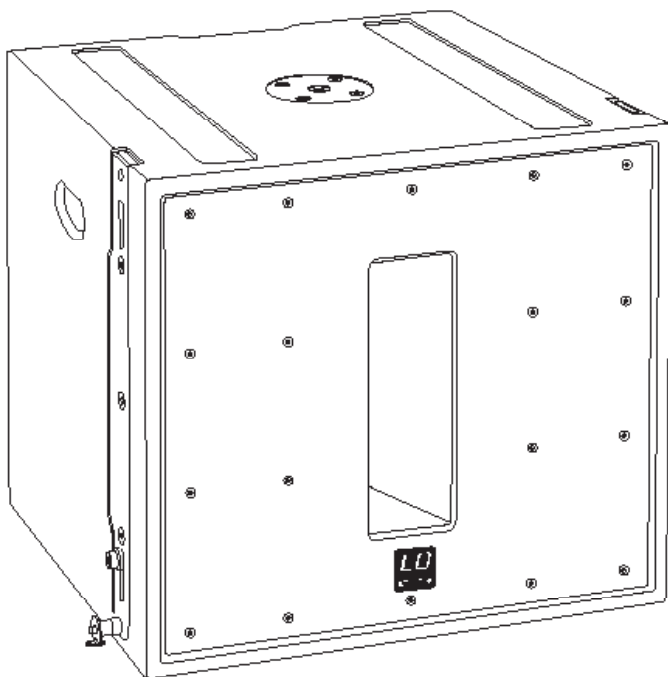
Podwójny, 12" subwoofer LDV212B, w konfiguracji bandpass czwartego rzędu firmy LD Systems oferuje wysokiej jakości elementy, ultra kompaktową konstrukcję oraz stałą transmisję niskotonową, w bardzo rozsądnej cenie.

Jest idealnym rozwiązaniem w połączeniu z układem liniowym głośników LD-Premium VA4 i może być używany nad ziemią, dzięki wbudowanemu elementowi mocującemu nad ziemią lub ustawiony na ziemi.

W połączeniu z głośnikami LD-Premium VA4 zapewnia dobrze zbalansowane dźwięk o pełnym zakresie częstotliwości, przy niewielkich wymiarach i niskich kosztach.

LDV212B

PODWÓJNY 12" SUBWOOFER W KONFIGURACJI
BANDPASS CZWARTEGO RZĘDU



ŚRODKI OSTROŻNOŚCI:

1. Uważnie przeczytaj poniższe informacje.
2. Przechowuj wszystkie informacje i instrukcje w bezpiecznym miejscu.
3. Postępuj zgodnie z instrukcją obsługi.
4. Przestrzegaj wszystkich ostrzeżeń. Nie usuwaj instrukcji bezpieczeństwa ani żadnych innych informacji umieszczonych na urządzeniu.
5. Używaj urządzenia tylko zgodnie z jego przeznaczeniem.
6. Gdy urządzenie montowane jest na stałe, używaj wyłącznie stabilnych stojaków i/lub uchwytów ściennych, odpowiednich dla danego urządzenia. Sprawdź, czy uchwyty ścienne są właściwie zamocowane. Upewnij się, że urządzenie jest bezpiecznie zamocowane i nie występuje ryzyko jego upadku.
7. Podczas montowania przestrzegaj odpowiednich norm bezpieczeństwa obowiązujących w twoim kraju.
8. Nie montuj urządzenia w pobliżu kaloryferów, akumulatorów ciepła, pieców lub innych źródeł ciepła. Upewnij się, że urządzenie jest zamontowane w sposób, który umożliwia mu wystarczające chłodzenie i przy którym nie istnieje możliwość jego przegrzania.
9. Nie umieszczaj otwartych źródeł zapłonu (np. płonących świec) na urządzeniu.
10. Nie przykrywaj otworów wentylacyjnych.
11. Nie korzystaj z urządzenia w bezpośrednim sąsiedztwie wody. Nie wystawiaj tego urządzenia na działanie materiałów, płynów lub gazów palnych.
12. Upewnij się, że rozbryzgi lub krople wody nie dostają się do wnętrza urządzenia. Nie umieszczaj przedmiotów wypełnionych płynami, takich jak wazy lub naczynia do picia, na urządzeniu.
13. Upewnij się, że żadne przedmioty nie mogą wpaść do wnętrza urządzenia.
14. Używaj urządzenia wyłącznie z akcesoriami przeznaczonymi do tego celu przez producenta.
15. UWAGA: Jeśli urządzenie to posiada złączkę zasilania sieciowego, wyposażoną w uzziemienie ochronne, musi ono być podłączone do gniazda zasilania sieciowego z obwodem uziemiającym. Nigdy nie omijaj obwodu uziemiającego w dostarczonym przewodzie zasilającym.
16. Nie włączaj urządzenia natychmiast po narażeniu go na duże wahania temperatur (np. po transportowaniu go). Wilgoć i skraplanie mogą uszkodzić urządzenie. Nie włączaj urządzenia do momentu, gdy osiągnie ono temperaturę pokojową.
17. Nie otwieraj urządzenia i nie wprowadzaj do niego żadnych zmian.
18. Przed podłączeniem urządzenia do zasilania sieciowego, upewnij się, że napięcie i częstotliwość zasilania są takie same, jak robocze wartości urządzenia (patrz: etykieta odnośnie typu). Jeśli urządzenie posiada przełącznik wybierakowy napięcia zasilającego upewnij się, że wartości ustawione na urządzeniu odpowiadają wartościom zasilania sieciowego, przed jego podłączeniem.
Jeśli wtyczka dołączonego przewodu nie pasuje do twojego gniazdka zasilania sieciowego, skontaktuj się z elektrykiem.
19. Unikaj stawania na przewodzie zasilającym. Zapobiegaj ścisaniu przewodu zasilającego, zwłaszcza w okolicach gniazda zasilania w urządzeniu i ściennego gniazda zasilania.
20. Aby zapobiec uszkodzeniu urządzenia i wypadkom spowodowanym, między innymi, potknięciem, sprawdzaj wszystkie połączenia urządzenia po jego podłączeniu.
21. Przy podłączaniu urządzenia upewnij się, że gniazdo zasilania jest łatwo dostępne.
Gdy nie używasz urządzenia lub gdy je czyszysz zawsze odłączaj wtyczkę zasilania. Przewód zasilający odłączaj przez pociągnięcie wtyczki, a nie kabla.
22. Unikaj włączania i wyłączania urządzenia w krótkich odstępach czasu, ponieważ może to skrócić okres jego użytkowania.

23. **WAŻNE:** Bezpiecznik wymieniaj wyłącznie na bezpiecznik tego samego rodzaju i o tej samej wartości znamionowej. Jeśli bezpiecznik wielokrotnie przepala się, należy skontaktować się z autoryzowanym serwisem.
24. Aby całkowicie odłączyć urządzenie od zasilania, należy wyciągnąć wtyk z gniazda zasilania.
25. Jeśli twoje urządzenie jest wyposażone w złącze zasilania Volex, odpowiadająca mu wtyczka urządzenia Volex powinna być odblokowana, aby ją odłączyć. Oznacza to także, że pociągnięcie za przewód zasilający może spowodować przesunięcie urządzenia, a w konsekwencji uszkodzenia ciała i mienia. Dołóż wszelkich starań w celu odpowiedniego poprowadzenia przewodów zasilających.
26. Odłącz wtyczkę, jeśli istnieje ryzyko uderzenia piorunu lub podczas długich okresów nieużywania.
27. Podczas transportu upewnij się, że i nie istnieje możliwość przewrócenia się transportowanego sprzętu i uszkodzenia ciała i mienia.
28. Jeśli urządzenie nie działa prawidłowo, zostało narażone na działanie płynów, przedmiot znalazł się we wnętrzu obudowy lub nastąpiło innego rodzaju uszkodzenie urządzenia, niezwłocznie wyłącz urządzenie i odłącz od źródła zasilania. Urządzenie może być naprawiane wyłącznie przez autoryzowanych specjalistów.
29. Czyść urządzenie wyłącznie za pomocą suchej szmatki.
30. Przestrzegaj wszystkich krajowych przepisów związanych z utylizacją odpadów. Podczas utylizacji oddziel plastik od papieru/tekstury.
31. Plastikowe torby należy przechowywać w miejscu niedostępnym dla dzieci.



UWAGA:

Aby zmniejszyć zagrożenie porażeniem elektrycznym, nie zdejmuj pokrywy (lub tylnej części obudowy). Wewnątrz nie znajdują się części, które użytkownik mógłby samodzielnie naprawić. Pozostaw obsługę serwisową wykwalifikowanym fachowcom.



Symbol błyskawicy ze strzałką wpisaną w trójkąt ostrzega użytkownika przed obecnością nieizolowanego "niebezpiecznego napięcia" wytworzonego w obrębie obudowy wyrobu, które może stanowić zagrożenie dla człowieka.



Znak wykrzyknika wewnątrz trójkąta równobocznego zwraca uwagę użytkownika na umieszczone w dokumentach dostarczonych wraz z produktem instrukcje zawierające ważne wskazówki odnośnie obsługi lub konserwacji (serwisu) urządzenia.

OSTRZEŻENIE! WYSOKI POZIOM GŁOŚNOŚCI!

Opisywany system transmisyjny jest przeznaczony do zastosowań profesjonalnych. W związku z tym komercyjne użytkowanie tego sprzętu podlega zasadom i przepisom bezpieczeństwa, właściwym dla danego sektora działalności, w tym regulacjom określonym przez towarzystwa ubezpieczeniowe. Przepisy nakładają na firmę Adam Hall, jako na wytwórcę, obowiązek poinformowania użytkownika o istnieniu potencjalnych zagrożeń dla zdrowia.

Głośniki mogą z łatwością wygenerować wystarczający poziom ciśnienia akustycznego (SPL), by trwale uszkodzić słuch artystów, członków ekipy produkcyjnej oraz publiczności. Należy podjąć stosowne środki bezpieczeństwa, aby uniknąć długotrwałego działania ciśnienia akustycznego, przekraczającego poziom 90 dB.

PANEL TYLNY:

ENGLISH

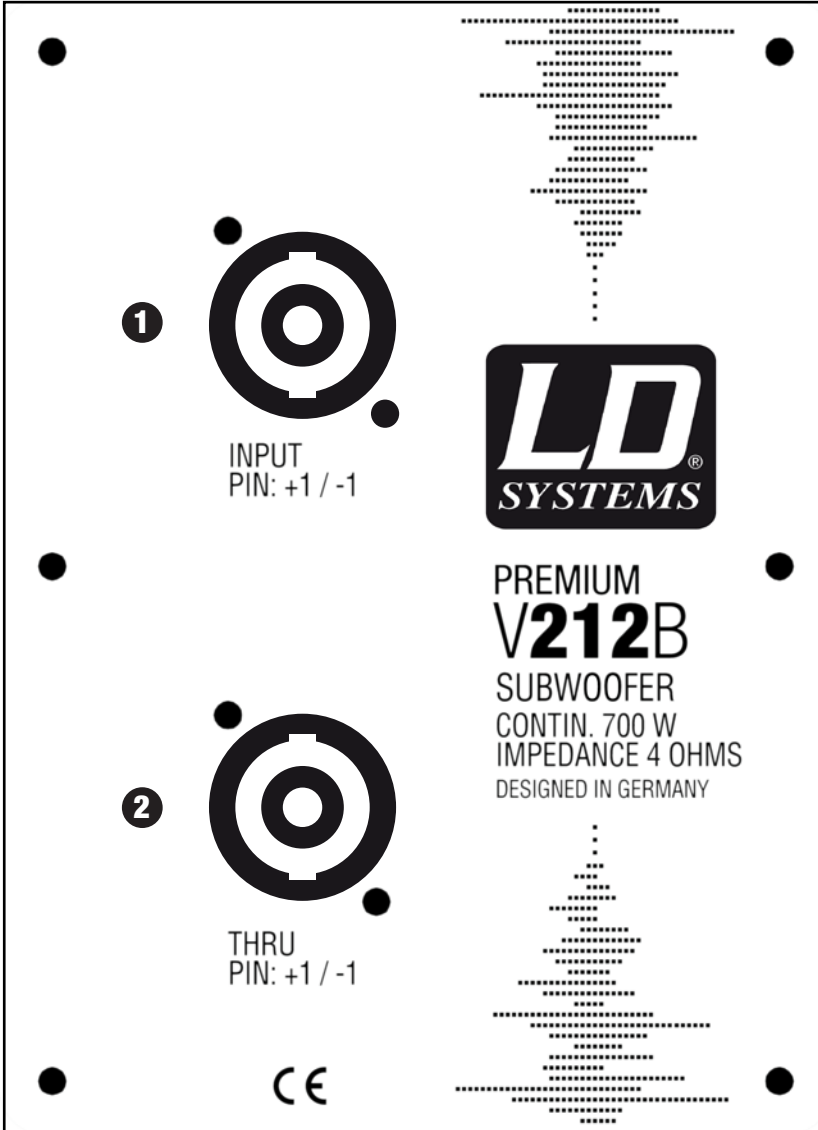
DEUTSCH

FRANCAIS

ESPAÑOL

POLSKI

ITALIANO



1 INPUT

Wejście głośnikowe (gniazdo Speakon).

2 THRU

Wejście speakon oraz gniazdo thru są połączone równoległe [1+/1-].

PRZYKŁAD 1

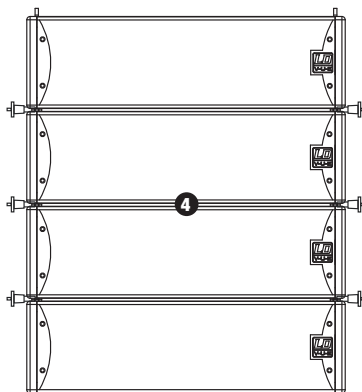
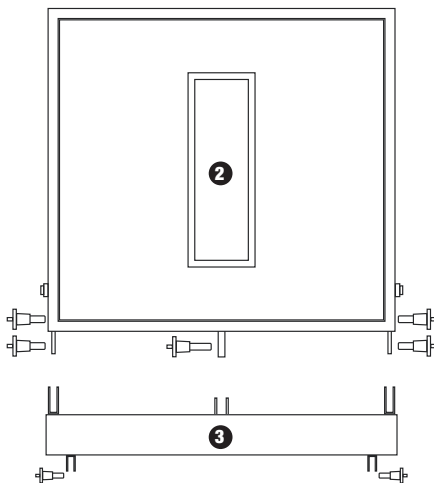
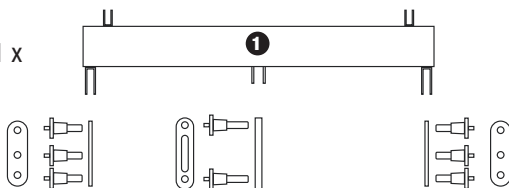
Mocowany nad ziemią przy pomocy 1 x LDV212B i 4 x LDVA4.

1 1x LDV212BF

2 1x LDV212B w tym
 2x boczny element łączący (5 mm)
 1x tylny element łączący (10 mm)
 6x sworzeń 10 / 16 mm
 2x sworzeń 10 / 28 mm

3 1x LDV212BF

4 4x LDVA4



PRZYKŁAD 2

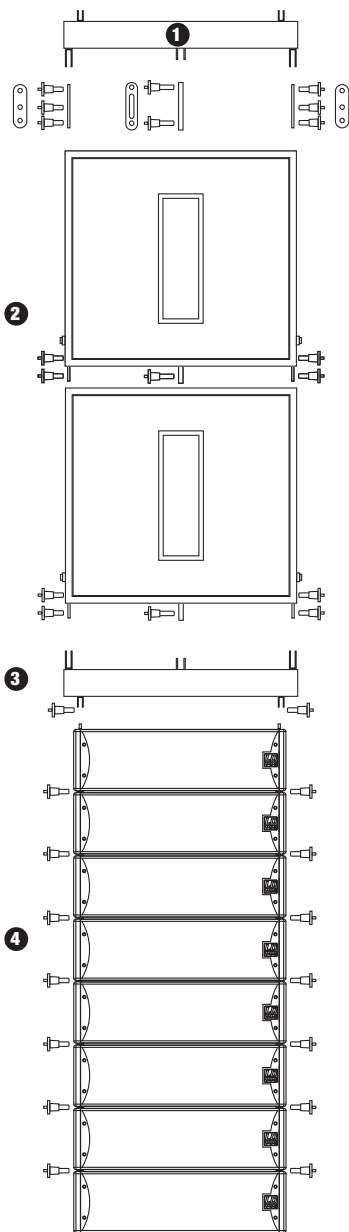
Mocowany nad ziemią przy pomocy
2 x LDV212B i 8 x LDVA4.

❶ 1x LDV212BF

❷ 2x LDV212B

❸ 1x LDV212BF

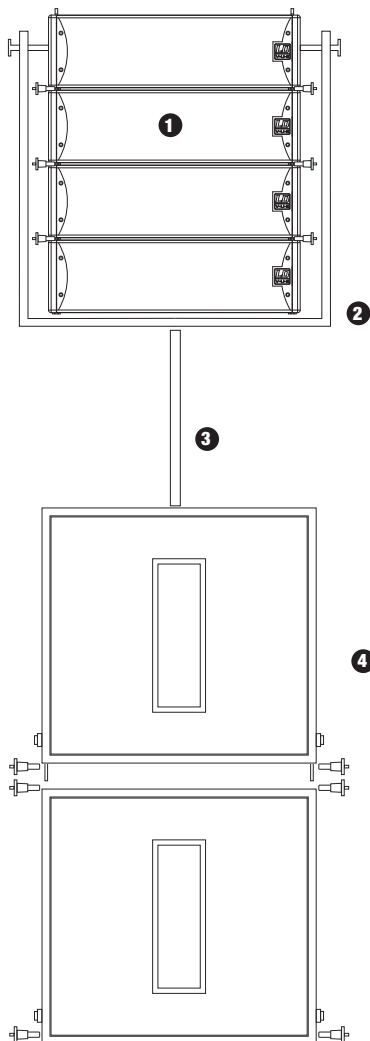
❹ 8x LDVA4



PRZYKŁAD 3

Ustawiony na ziemi przy pomocy 2 x LDV212B i 4 x LDVA4.

- ❶ 4x LDVA4
- ❷ 1x LDVA4UF
- ❸ 1x SPS822
- ❹ 2x LDV212B



AKCESORIA:

ENGLISH

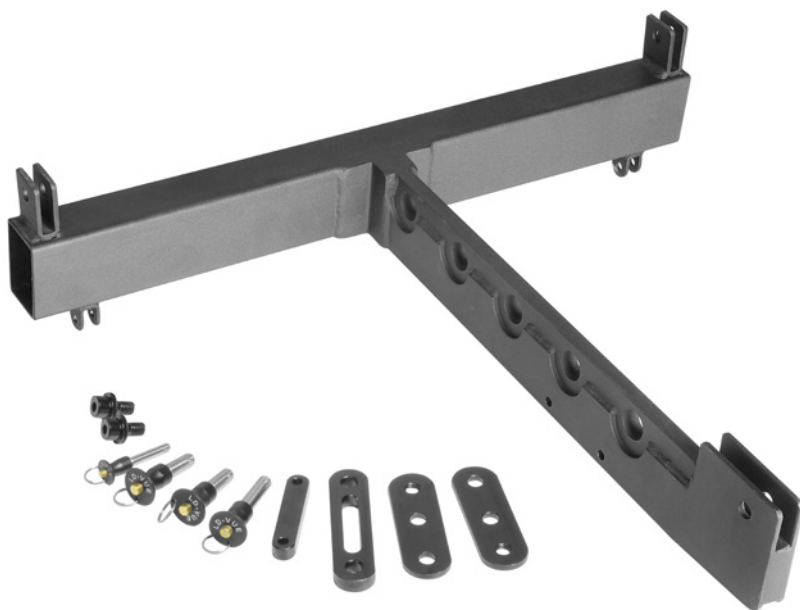
DEUTSCH

FRANCAIS

ESPAÑOL

POLSKI

ITALIANO

LDV212BF

SPECYFIKACJE:

NAZWA MODELU:	LDV212B	
Rodzaj produktu:	subwoofer PA	
Typ:	Pasywny	
Rozmiar subwoofera:	cali	2 x 12
Rozmiar subwoofera:	mm	2 x 304
Magnes użyty w subwooferze:	neodymowy	
Rodzaj subwoofera:	na zamówienie	
Cewka drgająca subwoofera:	cali	3
Cewka drgająca subwoofera:	mm	76,2
Moc wyjściowa (RMS):	W	700
Moc wyjściowa (szczytowa):	W	1400
Zakres częstotliwości:	Hz	38-200
Poziom ciśnienia akustycznego (1W/1m)	dB	100
Maks. poziom ciśnienia akustycznego	dB	128
Impedancja	Ω	4
Złącze wejściowe:	Neutrik NL-4	
Złącze wyjściowe:	Neutrik NL-4	
Materiał obudowy:	sklejka bałtycka 15 mm	
Powłoka obudowy:	DuraCoat	
Typ obudowy:	konfiguracji bandpass czwartego rzędu	
Wymiary (szer. x wys. x gł.):	mm	520 x 487 x 520
Waga	kg	31,5
Właściwości:	kołnierz gwintowany M20 do statywu głośnikowego, dostosowany do montażu układu liniowego LDVA4. zatwierdzony do stosowania z BGV C1.	

DEKLARACJE PRODUCENTA:

ENGLISH

DEUTSCH

FRANCAIS

ESPAÑOL

POLSKI

ITALIANO

OGRANICZONA GWARANCJA

Ta Ograniczona Gwarancja dotyczy produktów marek Adam Hall, LD Systems, LD Premium, Defender, Palmer, Cameo oraz Eminence.

Niniejsza gwarancja nie wpływa na prawa gwarancyjne wynikające z przepisów lokalnych. Jest to dodatkowa, niezależna gwarancja ze strony firmy Adam Hall.

Adam Hall gwarantuje, że zakupiony produkt Adam Hall zakupiony od firmy Adam Hall lub autoryzowanego przedstawiciela Adam Hall, pozostanie wolny od wad w materiałach i wykonaniu, przy normalnym użytkowaniu przez okres 2 lub 3 lat od daty zakupu.

Okres gwarancyjny rozpoczyna się z dniem zakupu. Aby móc skorzystać z serwisu gwarancyjnego, kupujący zobowiązany jest do przedstawienia dowodu zakupu opatrzonego datą. Dokumenty takie jak paragon, faktura lub list przewozowy mogą być dowodem daty zakupu. Jeśli produkt wymienionych powyżej marek wymaga naprawy w czasie trwania okresu gwarancyjnego, nabywcy przysługują gwarancyjne usługi serwisowe zgodne z warunkami przedstawionymi w tym dokumencie.

Niniejsza gwarancja obejmuje wyłącznie oryginalnego nabywcę produktu marki Adam Hall i nie można jej przenieść na inną osobę, która przejmie własność produktu od oryginalnego nabywcy. Podczas okresu gwarancyjnego, Adam Hall zobowiązuje się do naprawy lub wymiany wadliwych komponentów produktu. Wszystkie części i elementy wymontowane z urządzenia podczas działań serwisowych stają się własnością Adam Hall.

W mało prawdopodobnym przypadku powtórzenia się wady produktu Adam Hall, Adam Hall może zdecydować o dostarczeniu urządzenia zamiennego wybranego przez Adam Hall, które charakteryzuje się co najmniej takimi samymi parametrami jak reklamowany produkt.

Adam Hall nie gwarantuje, że eksploatacja produktu będzie przebiegać bezbłędnie lub nieprzerwanie. Adam Hall nie ponosi odpowiedzialności za uszkodzenia wynikające z niezastosowania się użytkownika do instrukcji dołączonej do produktu Adam Hall.

Ta Ograniczona Gwarancja nie dotyczy,

- części podlegających normalnemu zużyciu (np. akumulator)
- produktów, których numer seryjny został usunięty, uszkodzony lub pozbawiony czytelności wyniku wypadku
- przypadków nieprawidłowego użycia, celowego uszkodzenia lub powodów zewnętrznych
- przekroczenia dopuszczalnych parametrów pracy określonych w dokumentacji dostarczonej z produktem
- użycia części zamiennych nie pochodzących od Adam Hall
- przez modyfikację lub serwis nieprzeprowadzony przez Adam Hall

Te warunki określają kompletną i wyłączną umowę gwarancyjną między Nabywcą i firmą Adam Hall odnośnie zakupionego produktu markowego Adam Hall.

DEKLARACJE PRODUCENTA:

OGRANICZENIE ODPOWIEDZIALNOŚCI

Jeśli Twój produkt Adam Hall nie działa prawidłowo, wskazanym i wyłącznym rozwiązaniem jest naprawa lub wymiana. Maksymalna odpowiedzialność firmy Adam Hall w związku z niniejszą gwarancją ogranicza się maksymalnie do kwoty równej cenie zakupu produktu lub kosztom naprawy lub wymiany komponentów sprzętowych, które uległy uszkodzeniu lub nie działają prawidłowo podczas normalnego użytkowania. Adam Hall nie odpowiada za jakiegokolwiek szkody spowodowane przez produkt lub awarię produktu, włącznie z utratą zysków lub oszczędności, szczególnych, przypadkowych lub powiązanych szkód. Adam Hall nie ponosi odpowiedzialności za zobowiązania użytkownika wobec stron trzecich lub zobowiązania stron trzecich wobec użytkownika.

Ograniczenie odpowiedzialności ma zastosowanie w przypadku, gdy występują roszczenia odszkodowawcze lub składane są reklamacje na podstawie niniejszej gwarancji lub jako roszczenie z tytułu czynu niedozwolonego (włączając w to zaniedbanie oraz ścisłą odpowiedzialność za produkt), roszczenie z umowy lub jakiegokolwiek inne roszczenie. Żadna osoba nie może uchylić lub zmienić tych ograniczeń odpowiedzialności. Niniejsze ograniczenie odpowiedzialności pozostaje w mocy nawet jeśli nabywca poinformował firmę Adam Hall lub jej autoryzowanego przedstawiciela o możliwości wystąpienia takich szkód. Te ograniczenia odpowiedzialności nie dotyczą roszczeń wynikających z wystąpienia obrażeń u osób.

Niniejsza Gwarancja daje Ci pewne specyficzne prawa. Mogą przysługiwać Ci również inne prawa, które różnią się między sobą zależnie od państwa nadania. Radzimy zapoznanie się z prawem właściwym krajowi zamieszkania, w celu uzyskania kompletnej wiedzy na temat przysługujących praw.

ŻĄDANIE OBSŁUGI GWARANCYJNEJ

Aby uzyskać obsługę gwarancyjną swojego produktu, skontaktuj się z firmą Adam Hall lub jej autoryzowanym przedstawicielem od którego kupiłeś produkt.

PRAWDŁOWE SKŁADOWANIE TEGO PRODUKTU (ODPADY ELEKTRONICZNEI)



(Informacje mają zastosowanie w krajach członkowskich UE i innych krajach europejskich, w których obowiązuje segregacja odpadów)

Ten znak na produkcie lub dołączonej dokumentacji oznacza, że nie należy go wyrzucać wraz z domowymi odpadkami po wycofaniu z użycia. Aby zapobiec możliwym szkodom dla środowiska i ludzkiego zdrowia spowodowanym niekontrolowanym składowaniem odpadów, prosimy o oddzielenie tego produktu od innych odpadów i odpowiedzialne poddanie go recyklingowi w celu promowania ciągłego odzyskiwania zasobów materiałowych.

Użytkownicy domowi powinni skontaktować się ze sprzedawcą lub lokalnym urzędem, aby uzyskać informacje na temat przyjaznej środowisku zbiórki odpadów elektronicznych.

Użytkownicy biznesowi powinni skontaktować się ze swoim dostawcą i sprawdzić warunki kontraktu nabycia. Tego produktu nie należy mieszać z innymi odpadami komercyjnymi przy składowaniu.

DEKLARACJA-WEEE



Twój produkt LD Systems został zaprojektowany i wykonany z wysokiej jakości materiałów i komponentów, które można poddać recyklingowi i/lub użyć ponownie. Ten symbol oznacza, że sprzęt elektryczny i elektroniczny należy składować osobno od normalnych odpadów po zakończeniu użytkowania.

Prosimy, przekaż ten produkt do lokalnego punktu zbiórki lub centrum recyklingowego przeznaczonego dla tego typu sprzętu. W ten sposób przyczynisz się do ochrony środowiska, w którym żyjemy.

BATERIE I AKUMULATORY



Dołączone baterie lub akumulatory można poddać recyklingowi. Prosimy, składuj je jako specjalne odpady lub zwróć do punktu nabycia. W celu ochrony środowiska wyrzucaj wyłącznie zużyte baterie.

OCHRONA ŚRODOWISKA I OSZCZĘDNOŚĆ ENERGII:

Oszczędność energii elektrycznej pomaga chronić środowisko. Należy wyłączyć wszystkie urządzenia elektryczne, jeśli nie są w użyciu. Aby uniknąć zużycia prądu w trybie bezczynności, należy odłączyć wszystkie urządzenia elektryczne od sieci zasilającej, gdy nie są w użyciu.

Adam Hall GmbH, wszystkie prawa zastrzeżone. Dane techniczne i funkcjonalne produktu mogą podlegać modyfikacjom. Kopiowanie, tłumaczenie i pozostałe formy reprodukcji fragmentów lub całości tej instrukcji obsługi są zabronione.



ENGLISH

DEUTSCH

FRANCAIS

ESPAÑOL

POLSKI

ITALIANO

Acquistando un prodotto LD Systems avete fatto la scelta giusta!

Quest'apparecchio è stato sviluppato e prodotto secondo elevati standard qualitativi che garantiscono un funzionamento regolare per molti anni. Per questo motivo LD Systems, con il suo nome e la pluriennale esperienza, rappresenta un'azienda produttrice di prodotti audio di qualità.

Leggete attentamente questo manuale d'uso per utilizzare al meglio il vostro nuovo amplificatore LD Systems.

Per ulteriori informazioni sui prodotti LD Systems consultate il nostro sito internet WWW.LD-SYSTEMS.COM

Introduzione

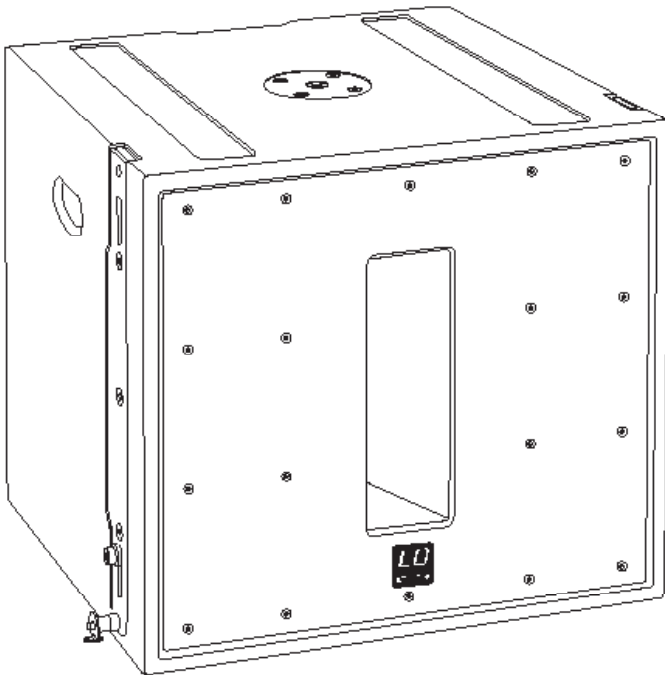
Il subwoofer bandpass di 4° ordine doppio da 12" è caratterizzato da componenti di alta qualità, un design ultra-compatto e dei bassi potenti, il tutto a un prezzo molto ragionevole.

È ideale per gli altoparlanti line array della serie VA4 LD-Premium e si può installare sia impilato a terra che sospeso, grazie ai punti di sospensione integrati.

Abbinato agli altoparlanti VA4 di LD-Premium consente di ottenere un sistema full range ben equilibrato, di piccole dimensioni e dai costi ridotti.

LDV212BA

SUBWOOFER BANDPASS DI 4° ORDINE DOPPIO DA 12"



ENGLISH

DEUTSCH

FRANCAIS

ESPAÑOL

POLSKI

ITALIANO

MISURE PREVENTIVE:

1. Leggere attentamente queste informazioni.
2. Conservare le informazioni e istruzioni in un luogo sicuro.
3. Seguire le istruzioni.
4. Osservare tutte le avvertenze. Non togliere le istruzioni di sicurezza o qualsiasi altra informazione che si trova sul dispositivo.
5. Usare il dispositivo solo per lo scopo per cui è previsto.
6. Utilizzare unicamente dei supporti e/o sistemi di fissaggio stabili e adeguati per l'installazione permanente del dispositivo. Assicurarsi che i supporti a parete siano saldi. Assicurarsi che il dispositivo sia installato in modo sicuro e non possa cadere.
7. Quando si installa il dispositivo, osservare le norme di sicurezza del proprio paese.
8. Non installare il dispositivo vicino a radiatori, accumulatori di calore, forni o qualsiasi altra fonte di calore. Assicurarsi che il dispositivo venga sempre installato in modo da garantire una ventilazione sufficiente affinché non si surriscaldi.
9. Non collocare possibili fonti di incendio, ad es. candele accese, sul dispositivo.
10. Non coprire le griglie di ventilazione.
11. Non far funzionare il dispositivo in prossimità di acqua. Non esporre il dispositivo a materiali, liquidi o gas infiammabili.
12. Assicurarsi che eventuali rovesciamenti o spruzzi d'acqua non possano entrare all'interno del dispositivo. Non collocare oggetti pieni di fluido, come ad esempio bicchieri o coppe sopra il dispositivo.
13. Assicurarsi che non possa cadere nessun oggetto all'interno del dispositivo.
14. Usare il dispositivo unicamente con gli accessori consigliati dal fabbricante.
15. **ATTENZIONE:** Se il dispositivo ha un connettore dotato di presa di terra, dovrà essere collegato a una presa di corrente con connessione alla presa di terra. Non disattivare mai la funzione della connessione di protezione a terra del cavo di alimentazione.
16. Non accendere immediatamente il dispositivo se è stato esposto a un cambiamento brusco della temperatura (ad esempio dopo il trasporto). L'umidità e la condensazione potrebbero danneggiare il dispositivo. Lasciare spento il dispositivo fino al raggiungimento della temperatura ambiente.
17. Non aprire il dispositivo e non cercare di modificarlo.
18. Prima di collegare il dispositivo alla corrente, assicurarsi che la tensione e la frequenza siano uguali ai valori indicati nel dispositivo (vedi targhetta delle specifiche). Se il dispositivo è dotato di un selettore di tensione, assicurarsi che i valori del dispositivo corrispondano con i valori della rete elettrica prima della connessione. Se la spina del cavo di alimentazione fornito non entra nella presa, contattare un elettricista.
19. Controllare che il cavo di alimentazione non sia schiacciato. Assicurarsi che il cavo di alimentazione non venga pizzicato, soprattutto alle estremità di connessione al dispositivo e alla presa di alimentazione.
20. Per evitare danni o infortuni, ad esempio per cadute, verificare tutte le connessioni una volta collegato il dispositivo.
21. Quando si collega il dispositivo, assicurarsi che ci sia una presa elettrica comodamente accessibile. Scollegare la spina dalla presa elettrica quando non si utilizza il dispositivo o durante la sua pulizia. Scollegare il cavo di alimentazione tirando la spina, non il cavo.
22. Evitare di accendere e spegnere il dispositivo a intervalli brevi, poiché potrebbe ridurre la vita utile dello stesso.
23. **IMPORTANTE:** Sostituire il fusibile solo con fusibili dello stesso tipo e potenza nominale! Se il fusibile dovesse saltare ripetutamente, contattare un centro di assistenza autorizzato!

24. Per scollegare completamente il dispositivo dell'alimentazione, bisogna staccare il la spina.
25. Se il dispositivo è dotato di un connettore Volex, bisognerà sbloccare il Volex del dispositivo per poterlo scollegare. Ciò significa anche che se si tira il cavo di alimentazione si può spostare il dispositivo causando danni personali e/o materiali. Per questo bisogna assicurarsi di tirare i cavi con particolare attenzione.
26. Se esiste il rischio di caduta di fulmini o durante periodi di disuso prolungati, scollegare la spina.
27. Durante il trasporto, assicurarsi che il dispositivo non possa cadere e causare danni personali e/o materiali.
28. Se il dispositivo non funziona più correttamente, se è stato versato del liquido sullo stesso o è caduto un oggetto al suo interno, o è stato danneggiato in qualsiasi altro modo, spegnerlo immediatamente e scollegare il cavo di alimentazione. Questo dispositivo dovrà essere riparato solo da esperti autorizzati.
29. Utilizzare solo un panno asciutto per pulire il dispositivo.
30. Rispettare tutte le normative esistenti in termini di smaltimento dei rifiuti applicabili nel vostro paese. Separare la plastica e la carta/cartone.
31. I sacchetti di plastica devono essere tenuti lontani dalla portata dei bambini.



ATTENZIONE:

per ridurre il rischio di scosse elettriche, non rimuovere il coperchio (o il retro). All'interno del dispositivo non sono presenti parti su cui l'utente può effettuare operazioni di manutenzione. Rivolgersi a personale qualificato per effettuare le operazioni di manutenzione.



Il simbolo del fulmine con una freccia in punta all'interno di un triangolo equilatero avverte l'utente della presenza di "tensione pericolosa" senza isolamento all'interno della carcassa del prodotto che potrebbe essere di magnitudine sufficiente per rappresentare un rischio per le persone.



Il punto esclamativo all'interno di un triangolo equilatero avverte l'utente della presenza di importanti istruzioni operative e relative alla manutenzione nella documentazione che accompagna l'apparecchio.

ATTENZIONE! VOLUME ALTO!

Questo sistema di trasmissione verrà utilizzato a scopi professionali, pertanto l'uso commerciale dell'attrezzatura è soggetto alle norme e ai regolamenti dell'Istituto Nazionale per l'Assicurazione contro gli Infortuni sul Lavoro relativi al nostro settore industriale. Adam Hall, in qualità di produttore, è tenuto a fornire all'utente informazioni formali circa l'esistenza di possibili rischi sanitari.

Danno all'udito per esposizione prolungata a dei livelli di pressione sonora (SPL) eccessivi: l'altoparlante può raggiungere facilmente dei livelli di pressione sonora sufficienti a causare danni permanenti all'udito agli artisti, al personale della produzione e al pubblico. Bisogna adottare le precauzioni necessarie per evitare l'esposizione prolungata a una SPL superiore a 90 dB.

PANNELLO POSTERIORE:

ENGLISH

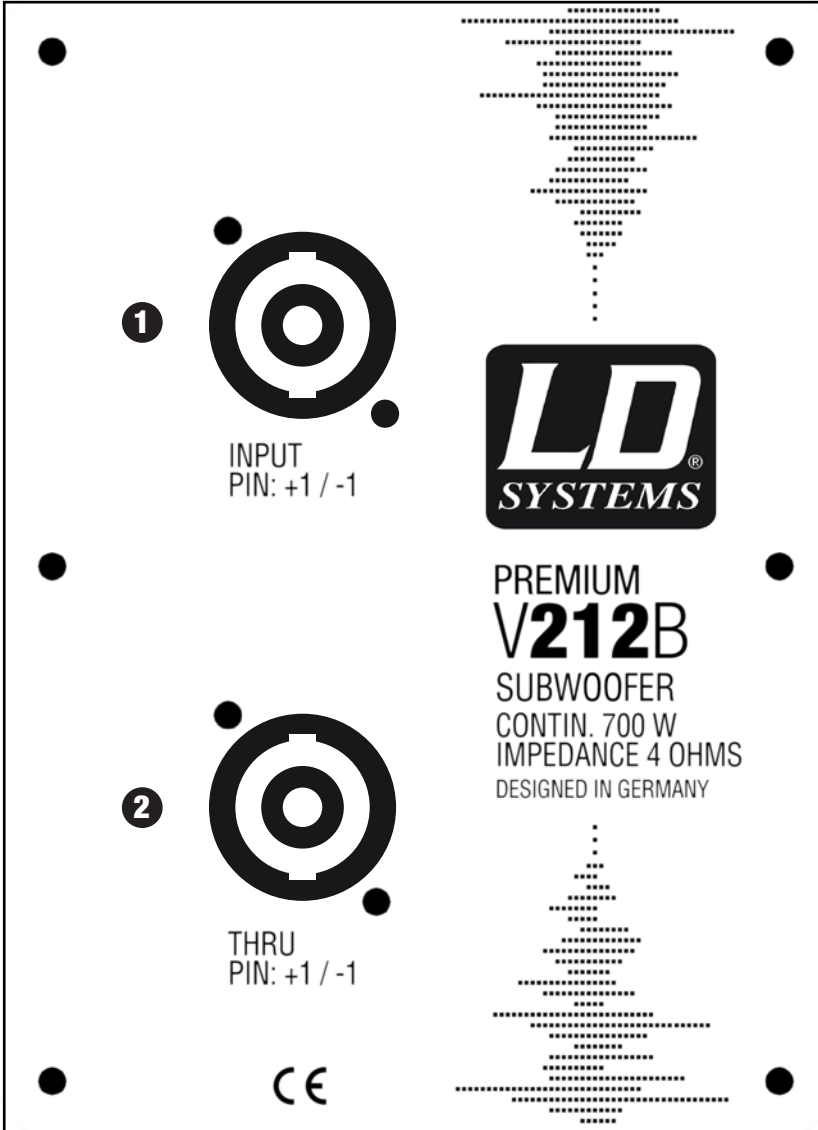
DEUTSCH

FRANCAIS

ESPAÑOL

POLSKI

ITALIANO



1 INPUT

Entrata altoparlanti (connettore Speakon).

2 THRU

L'entrata Speakon e i connettori THRU sono collegati in parallelo (+1 / -1).

COMPONENTI DI UN LINE ARRAY:

ESEMPIO 1

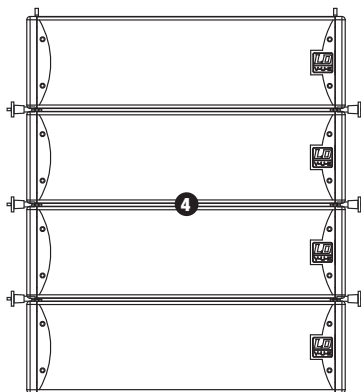
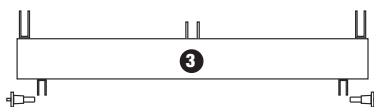
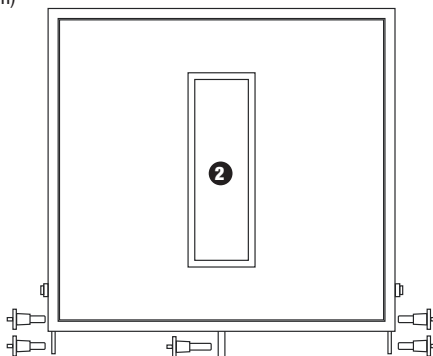
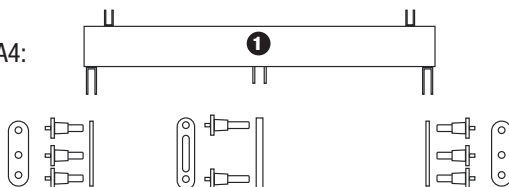
Sospeso con 1 x LDV212B e 4 x LDVA4:

1 1x LDV212BF

2 1x LDV212B compresi
 2x accessori di connessione laterale (5 mm)
 1x accessorio di connessione posteriore (10 mm)
 6x pin 10 / 16 mm
 2x pin 10 / 28 mm

3 1x LDV212BF

4 4x LDVA4



ESEMPIO 2

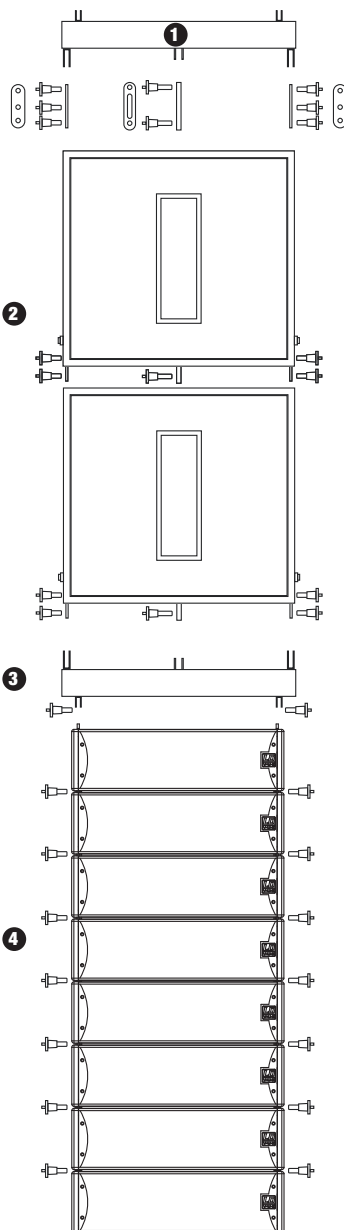
Sospeso con 2 x LDV212B e 8 x LDVA4:

❶ 1x LDV212BF

❷ 2x LDV212B

❸ 1x LDV212BF

❹ 8x LDVA4

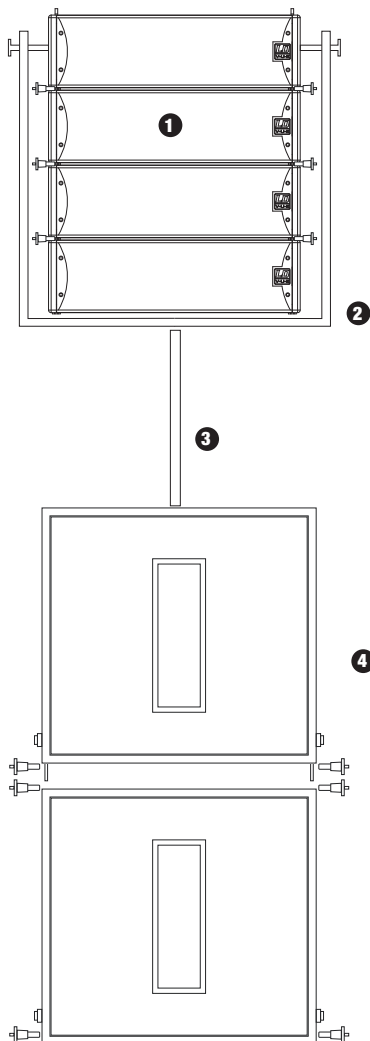


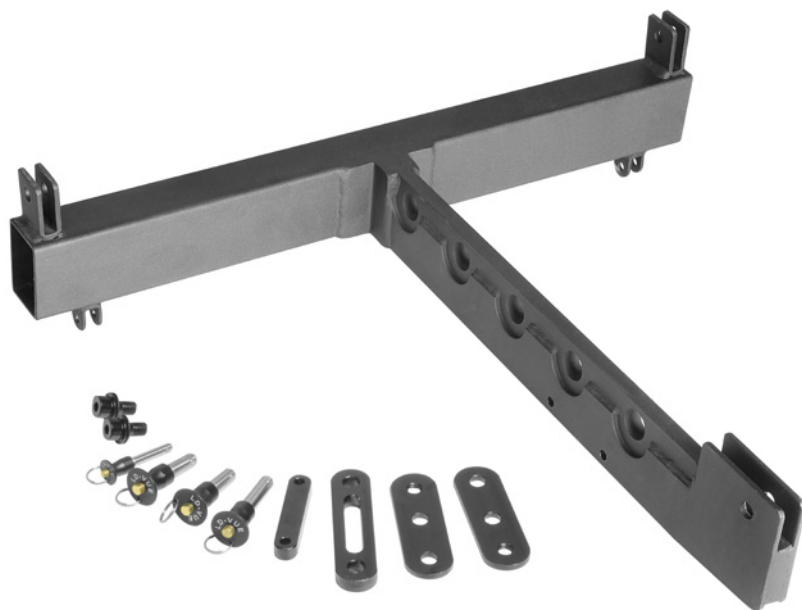
COMPONENTI DI UN LINE ARRAY:

ESEMPIO 3

Impilato a terra con 2 x LDV212B e 4 x LDVA4:

- ❶ 4x LDVA4
- ❷ 1x LDVA4UF
- ❸ 1x SPS822
- ❹ 2x LDV212B



ACCESSORI:**LDV212BF**

ENGLISH

DEUTSCH

FRANCAIS

ESPAÑOL

POLSKI

ITALIANO

SPECIFICHE:

DENOMINAZIONE DEL MODELLO:		LDV212B
Prodotto:		Subwoofer di PA
Tipo:		Passivo
Dimensioni del woofer:	"	2 x 12
Dimensioni del woofer:	mm	2 x 304
Magnete del woofer:		Neodimio
Marca del woofer:		Custom Made
Bobina del woofer:	"	3
Bobina del woofer:	mm	76,2
Potenza (RMS):	W	700
Potenza (Picco):	W	1400
Gamma di frequenza:	Hz	38-200
SPL (1W/1m):	dB	100
SPL Max.	dB	128
Impedenza	Ω	4
Connettore in ingresso:		Neutrik NL-4
Connettore in uscita:		Neutrik NL-4
Materiale della cassa:		Compensato baltico da 15 mm
Superficie della cassa:		DuraCoat
Design della cassa:		Bandpass di 4° ordine
Dimensioni (L x H x P):	mm	520 x 487 x 520
Peso	kg	31,5
Caratteristiche:		Filettatura di unione M20 per barra di estensione, adeguata per la sospensione con Line Array LDVA4. Soddisfa la norma BGV C1.

DICHIARAZIONI DEL PRODUTTORE:

GARANZIA DEL PRODUTTORE

Le seguenti condizioni di garanzia si applicano ai prodotti dei marchi Adam Hall, LD Systems, LD Premium, Defender, Palmer, Cameo e Eminence.

La presente dichiarazione di garanzia non influisce sui diritti di garanzia del produttore previsti dalla legge, ma estende ulteriormente tali diritti anche nei confronti della ditta Adam Hall.

Adam Hall garantisce per un periodo di due o cinque anni dalla data di acquisto che questo prodotto Adam Hall acquistato direttamente dall'azienda o attraverso un rivenditore autorizzato, se utilizzato correttamente, è privo di difetti di materiale e manodopera.

Il periodo di garanzia ha inizio dalla data di acquisto del prodotto che, nel caso in cui si voglia usufruire della garanzia, va adeguatamente documentata tramite la presentazione dello scontrino o della bolla di consegna con la data di acquisto. Qualora, entro il periodo di garanzia, i prodotti di una delle marche sovraindicate necessitino di interventi di riparazione, l'utente ha diritto ad usufruire del servizio alle condizioni indicate nel presente documento.

Questa garanzia del produttore è valida esclusivamente per il primo proprietario del prodotto Adam Hall e non si può trasferire ad un eventuale proprietario successivo. Entro il periodo di garanzia, Adam Hall si fa carico della riparazione o della sostituzione dei componenti o degli apparecchi difettosi. Tutti i componenti o i prodotti sostituiti usufruendo della garanzia del produttore diventano di proprietà di Adam Hall.

Nel caso improbabile che il prodotto acquistato presenti ripetuti malfunzionamenti, la ditta Adam Hall è autorizzata a sostituire a propria discrezione il prodotto difettoso con un altro, a patto che il nuovo prodotto sia di uguale valore rispetto a quello vecchio per quanto riguarda le caratteristiche hardware.

Adam Hall non garantisce che il prodotto sia perfettamente funzionante e/o senza difetti. Inoltre, Adam Hall non risponde di danni derivanti dall'inosservanza delle indicazioni riportate nelle istruzioni d'uso fornite con il presente prodotto e in altra documentazione.

La garanzia del produttore non copre:

- parti soggette ad usura (es. accumulatori),
- apparecchi dai quali è stato rimosso il numero di serie o il cui numero di serie risulta illeggibile a causa di danneggiamenti causati dall'utente,
- danni derivanti da uso errato o improprio o altre cause esterne,
- danni ad apparecchi che non sono stati utilizzati secondo i parametri di funzionamento (parametri indicati nella documentazione contenuta nella confezione),
- danni derivanti dall'utilizzo di componenti non prodotti o distribuiti da Adam Hall,
- danni derivanti da interventi, modifiche o riparazioni non effettuate da Adam Hall.

Le presenti condizioni costituiscono l'accordo di garanzia completo ed esclusivo tra l'acquirente e la Adam Hall per il prodotto Adam Hall acquistato.

ENGLISH

DEUTSCH

FRANCAIS

ESPAÑOL

POLSKI

ITALIANO

DICHIARAZIONI DEL PRODUTTORE:

LIMITAZIONI DI RESPONSABILITÀ

Nel caso in cui, durante il periodo di garanzia, i prodotti hardware Adam Hall presentino difetti di materiale o di lavorazione (in base alla dichiarazione di garanzia precedente), il solo ed unico diritto del cliente previsto dalla presente garanzia è quello di riparazione o sostituzione dell'apparecchio. La massima responsabilità di Adam Hall è limitata, come espressamente indicato nella garanzia, al prezzo d'acquisto o ai costi per la riparazione o la sostituzione (e in questo caso per l'importo minore) dei componenti hardware difettosi in caso di uso corretto degli stessi.

Adam Hall non è responsabile per eventuali danni provocati dal prodotto o dal malfunzionamento dello stesso, compresi mancati guadagni, perdite e danni speciali indiretti o conseguenti. Inoltre Adam Hall è indenne da richieste avanzate da terzi o dal cliente in nome di terzi.

La presente limitazione di responsabilità vale indipendentemente dal fatto che i danni siano oggetto di procedimenti giudiziari o che siano oggetto di risarcimento danni ai sensi della presente garanzia o per atti illeciti (incluse negligenza e responsabilità oggettiva) o per pretese contrattuali o di altra natura, e non può essere né annullata né modificata. La presente limitazione di responsabilità è valida anche nel caso in cui l'utente abbia avvisato Adam Hall o un rappresentante autorizzato di possibili danni. Tale limitazione non è però valida in caso di richieste per risarcimento danni in relazione a danni a persone.

La garanzia del produttore permette di godere di determinati diritti. A seconda della giurisdizione competente (dello stato o della regione in cui si risiede) è possibile ottenere ulteriori diritti. Si consiglia quindi di consultare le leggi applicabili per determinare l'insieme dei diritti di cui si può godere.

RICORSO ALLA GARANZIA

Per usufruire della garanzia rivolgersi direttamente a Adam Hall o al rivenditore autorizzato Adam Hall, dal quale è stato acquistato il prodotto.

CORRETTO SMALTIMENTO DEL PRODOTTO ("RIFIUTI ELETTRONICI")

(Valido nei paesi dell'Unione europea e in altri paesi con sistema di smaltimento differenziato dei rifiuti)



Questo simbolo sul prodotto o sui documenti relativi ad esso sta ad indicare che l'apparecchio alla fine del suo ciclo di vita non deve essere smaltito insieme ai normali rifiuti domestici, in modo tale da evitare eventuali danni ambientali e alle persone causati da uno smaltimento incontrollato dei rifiuti. Si prega di smaltire questo prodotto separatamente da altri rifiuti e promuovere così lo sviluppo di cicli economici sostenibili con il riciclaggio. I privati cittadini possono ricevere informazioni sulle possibilità di smaltimento sostenibile presso il venditore dal quale è stato acquistato il prodotto o presso le autorità regionali competenti. I professionisti devono invece contattare il loro fornitore di fiducia e controllare le eventuali condizioni contrattuali per lo smaltimento degli apparecchi. Questo prodotto non deve essere smaltito assieme ad altri rifiuti industriali.

DICHIARAZIONE RAEE

Il prodotto LD Systems acquistato è stato realizzato tramite l'utilizzo di materiali e componenti di qualità che possono essere riciclati o riutilizzati. Questo simbolo indica che gli apparecchi elettronici non vanno smaltiti assieme ai normali rifiuti domestici indifferenziati. Si prega di smaltire questo apparecchio a norma di legge presso un punto di raccolta per rifiuti elettronici contribuendo così alla salvaguardia dell'ambiente.

BATTERIE E PILE

Le batterie incluse nella confezione possono essere riutilizzate. Non gettare quindi le batterie nei normali rifiuti domestici, ma in contenitori appositi per la loro raccolta. Aiutate a mantenere pulito l'ambiente.

ECOLOGIA E RISPARMIO ENERGETICO:

Il risparmio dell'energia elettrica aiuta a proteggere l'ambiente. Spegnerne tutti i dispositivi elettrici quando non vengono utilizzati. Per evitare il consumo di energia, scollegare tutti i dispositivi elettrici dalla corrente quando non vengono utilizzati.

Adam Hall GmbH, tutti i diritti riservati. I dati tecnici e le caratteristiche del prodotto possono essere soggetti a modifiche. È vietata la copia, la traduzione e qualsiasi altra riproduzione delle presenti istruzioni d'uso o di parte di esse senza previa autorizzazione.



ENGLISH

DEUTSCH

FRANCAIS

ESPAÑOL

POLSKI

ITALIANO

ENGLISH

DEUTSCH

FRANCAIS

ESPAÑOL

POLSKI

ITALIANO



WWW.LD-SYSTEMS.COM

Adam Hall GmbH | Daimlerstrasse 9 | 61267 Neu-Anspach | Germany
Tel. +49(0)6081/9419-0 | Fax +49(0)6081/9419-1000
web : www.adamhall.com | e-mail : mail@adamhall.com

