

# MAC VIPER XIP

HIGH-OUTPUT, FULL-FEATURED OUTDOOR MOVING HEAD

SPEC SHEET



Introducing the Martin **MAC Viper XIP**, the next generation Viper class moving head that combines legendary Viper performance, Martin XIP smart weatherproofing technology, and an incredibly robust feature set. Drawing on best-in-class features that defined the iconic Viper lineup, including Viper Profile, Performance, Wash and Wash DX, MAC Viper XIP builds on Viper heritage, setting a new standard for all-in-one performance, innovation and reliability.

The combination of **MAC Viper XIP's** powerful lumen output and innovative patent-pending XIP water and dust ingress protection make it not only ideal for a wide range of year-round outdoor applications, but also ensures exceptionally low noise levels for indoor use, similar to the whisper-silent the Martin MAC Encore. Featuring Martin Professional's proprietary tailor-made light engine, the **MAC Viper XIP** unleashes an impressive 5-degree narrow, high-definition, and high-contrast beam, ensuring unprecedented lumen maintenance over the zoom range.

## FEATURES

- Martin **XIP smart weatherproofing technology** for outdoor use without compromises
- Incredible **MAC Viper-class output** with impressive **low-noise levels** of the MAC Encore-class, perfect for noise-sensitive applications
- **Lumen maintenance** over the entire zoom range that exceeds industry standards
- **Exceptional Pan & Tilt speed, CMY, and Zoom speed** and responsiveness
- **Sharp framing** on the breakup wheel and improved dimming
- **Pure white illumination** sitting on the black body curve
- **Light recycling with gobos** for enhanced output
- **No dimming** on any features, ensuring consistent brightness
- **Light and heavy frost available** with a heavy frost available in the entire zoom range, providing versatility in lighting effects

The MAC Viper XIP is designed for temporary outdoor installation only.  
Do not use the fixture for permanent outdoor lighting.

HARMAN PROFESSIONAL INC. ■ 8500 BALBOA BOULEVARD ■ NORTHRIDGE ■ CA 91329 ■ USA ■ +1 818 893 8411

©2024 HARMAN Professional. All rights reserved. Martin® is a registered trademark of HARMAN Professional Inc. registered in the United States and/or other countries. Features, specifications, and appearance are subject to change without notice.

REV: 20240603

**Martin**<sup>®</sup>

# MAC VIPER XIP

HIGH-OUTPUT, FULL-FEATURED OUTDOOR MOVING HEAD

SPEC SHEET

## FEATURE HIGHLIGHTS

### A SPOT-ON WHITE POINT

Embodying a quality of light that is more pleasing to the eye, the MAC Viper XIP light engine's native 5,800K color temperature ensures a white point precisely on the black body curve, with no green or magenta shifts, only crisp, vibrant white light.

### OUTSTANDING OPTICS

MAC Viper XIP's optical system features 14 precision-coated lenses and incredible center-to-edge clarity. Uniquely high contrast produces razor-sharp mid-air effects and the shutter system's enhanced depth of field ensures well-defined gobo framing.

### SUPERIOR, STEADY-STATE OUTPUT

Martin's tailor-made light engine and XIP weatherproofing allow MAC Viper XIP to deliver a consistent 28,000 lumens. Smart, efficient cooling maintains full output with colors, gobos, effects and gobo light recycling that boosts output by 25%.

### XIP UNIQUE WEATHERPROOFING TECHNOLOGY FOR CROSS-EVENT UTILIZATION

Martin's patent-pending XIP water/dust ingress protection is ideal for temporary, year-round outdoor use overcoming size, noise, output, and weight penalties, typical of IP65 fixtures. Its low noise and low weight are also perfect for indoor events.

### LOW NOISE, HIGH IMPACT

MAC Viper XIP combines Viper-class output and whisper-quiet noise, similar to Martin MAC Encore. Smart heat management maintains low LED temperatures for long life/output, making it ideal for theater/broadcast and other noise-sensitive applications.

### CREATIVE FREEDOM, EXCEPTIONAL PERFORMANCE

As Martin's most feature-rich product ever made, MAC Viper XIP has been engineered to elevate the most demanding shows and events. Every feature has been optimized to give designers maximum creative freedom while ensuring uncompromising performance.

### NFC AND CONNECTIVITY

MAC Viper XIP NFC technology enables smartphone control via the upcoming Martin app. DMX addressing, personality settings and other functions are easily accessible. And with our wireless DMX module connectivity slot, it's future-ready for control.

## TECHNICAL SPECIFICATIONS

### LIGHT SOURCE

- 760 W proprietary LED light engine
- 55 x 20 W white LEDs

Minimum LED lifetime: ..... >50,000 hours

### PHOTOMETRIC DATA

Light Engine Luminous Output: ..... 56,000 lumens

Fixture Luminous Output: ..... 28,000 lumens

Peak Luminous Intensity: ..... 2.4 Mcd

CCT: ..... 5800 K (+/- 250 K)

### OPTICS

- 150 mm front Lens
- 1:9 zoom range (5.7° - 51° field angle)
- High resolution projection system

### DYNAMIC EFFECTS

- 0 - 100% continuous dimming and strobe effects
- Choice of four dimming curves
- CMY color mixing
- Color temperature control (5800 - 2850 K)
- Color wheel with 5 x dichroic filters, including Spectral Enhancement Filter
- Rotating gobo wheel 1 includes 7 interchangeable gobos + open

- Rotating gobo wheel 2 includes 7 interchangeable gobos + open
- Gobo animation wheel, indexing, continuous rotation with variable angle
- 2 x Frost (fade in), Light & Heavy
- 4-facet prism
- Iris
- Zoom
- Focus with auto tracking
- Extended Framing module with individual +/- 30° across entire beam and +/- 83° rotation

Pan: ..... 540°

Tilt: ..... 268°

- P3 videomapping of fixture color and/or intensity (6 segments)

Pre-programmed effects: ..... Two ranges of pre-programmed FX

- Green Magenta Shift Control
- Virtual CTC Control (2000 - 12850K)

### COOLING AND NOISE

- Low noise cooling system
- User-selectable output vs. sound level control

### CONSTRUCTION

Height (head straight up): ..... 758 mm (29.8 in.)

Height (maximum): ..... 776 mm (30.6 in.)

Weight: ..... 36.8 kg (81.1 lbs.)

The MAC Viper XIP is designed for temporary outdoor installation only.  
Do not use the fixture for permanent outdoor lighting.

HARMAN PROFESSIONAL INC. • 8500 BALBOA BOULEVARD • NORTHBRIDGE • CA 91329 • USA • +1 818 893 8411

©2024 HARMAN Professional. All rights reserved. Martin® is a registered trademark of HARMAN Professional Inc. registered in the United States and/or other countries. Features, specifications, and appearance are subject to change without notice.

REV: 20240603

The Martin logo features the word "Martin" in a bold, black, sans-serif font. A yellow chevron shape is positioned above the letter "i".

# MAC VIPER XIP

HIGH-OUTPUT, FULL-FEATURED OUTDOOR MOVING HEAD

SPEC SHEET

## TECHNICAL SPECIFICATIONS (Cont.)

### CONTROL

- DMX-512 in/out
- Ethercon in/out for P3, Art-Net, sACN
- Built in Ethernet switch with fail-safe bypass

### DYNAMIC EFFECTS

Pre-programmed effects:	Two ranges of FX, independent or synchronized/combined
Color mixing:	CMY, independently variable 0 - 100%
Color wheel:	5 x dichroic filters + open (incl. Spectral Enhancement Filter), indexing, continuous rotation, random color
Gobo animation:	Interchangeable animation wheel, indexing, continuous rotation with variable angle, speed and direction
Iris:	Variable 0 - 100%, pulse effects
Zoom:	Motorized
Color temperature control:	Variable 5800 - 2850 K
Framing:	Rotatable framing module, +/- 83°, 4 x individually controllable full curtain blades with full variable angle (+/- 30°) through the entire insertion path from 0 - 100%
Prism:	4-facet, indexing and continuous rotation
2 x Frost:	Variable 0 - 100%, Heavy and Light
Dimmer/shutter:	0 - 100% continuous dimming, regular and random strobe and pulse effects, instant open and blackout
Dimming options:	Choice of four dimming curves
Pan:	540°, coarse & fine control and speed
Tilt:	268°, coarse & fine control and speed
P3:	Videomapping of fixture color and/or intensity with variable crossfade between DMX control and video control
Focus:	Motorized, range varies with zoom angle, from approx. 4.5 m (14.8 ft.) to infinity
Rotating gobo wheel 1:	7 x interchangeable gobos + open, indexing, continuous rotation and shake, gobo wheel continuous rotation
Rotating gobo wheel 2:	7 x interchangeable gobos + open, indexing, continuous rotation and shake, gobo wheel continuous rotation
Gobo Color Temperature Correction:	Automatic

### CONTROL AND PROGRAMMING

Control Protocols:	DMX, RDM, Art-Net, RDM over Art-Net, sACN and P3
Protocol detection:	Automatic
Setting and addressing:	Display Menu, RDM, RDM over Art-Net or P3
DMX Modes:	3, Basic, Extended and Ludicrous
DMX channels:	54 (Basic), 64 (extended), 70 (Ludicrous)

16-bit Controllable Parameters:	Dimming, Color Mixing + CTO, Gobo Rotation, Framing/Framing rotation, Iris, Prism Rotation, Animation wheel Rotation, Zoom, Focus, Pan and Tilt
Fixture Identification:	User-settable ID number
DMX compliance:	USITT DMX512-A
RDM compliance:	ANSI/ESTA E1.20
Art-Net Compliance:	Art-Net 1, 2, 3 and 4; including RDM over Art-Net
sACN Compliance:	ANSI E1.31 - 2016
Martin P3 Compliance:	P3 System Controller Software 5.1.0 or newer
DMX/RDM Transceiver:	Galvanic-isolated RS-485
Ethernet Transceiver:	10/100Mbit (with fail-safe bypass)
Firmware update:	USB memory device, via DMX using Martin Companion or via Ethernet using P3 System Controller
Universal Connect Module Interface:	City Theatrical Multiverse 900 MHz and 2.4 GHz UCM Node
NFC Interface:	Martin Companion iOS and Android App
Local User Interface:	Backlit LCD Display with battery-powered operation

### OPTICS

Front Lens Diameter:	150 mm
Zoom Range:	1:9 zoom range (5.7° - 51° field angle)
Light Source:	55 x 20 W White LEDs in a custom Martin engine
Minimum LED lifetime:	>50,000 hours (to >80% luminous output)* / >20,000 hours (to >90% luminous output)*
Maximum Total LED Engine Power:	760 W

\*Figure obtained under manufacturer's test conditions

### PHOTOMETRIC DATA

Light Engine Luminous Output:	56.000 lumens
LED refresh rate:	2400 Hz

### STANDARD

Fixture luminous output:	28.000 lumens
CRI (Color Rendering Index):	68 (+/- 3)
TM-30 Rf (IES TM-30-15 Fidelity Index):	66 (+/- 3)
TM-30 Rg (IES TM-30-15 Gamut Index):	94 (+/- 3)
TLCI:	44 (+/- 3)
CCT:	5800 K (+/- 250 K)
Peak Luminous Intensity:	2.4 Mcd

### WITH SPECTRAL ENHANCEMENT FILTER

Fixture luminous output:	18.700 lumens
CRI (Color Rendering Index):	90 (+/- 3)

The MAC Viper XIP is designed for temporary outdoor installation only.  
Do not use the fixture for permanent outdoor lighting.

HARMAN PROFESSIONAL INC. • 8500 BALBOA BOULEVARD • NORTHRIDGE • CA 91329 • USA • +1 818 893 8411

©2024 HARMAN Professional. All rights reserved. Martin® is a registered trademark of HARMAN Professional Inc. registered in the United States and/or other countries. Features, specifications, and appearance are subject to change without notice.

REV: 20240603

The Martin logo features the word "Martin" in a bold, black, sans-serif font. A yellow triangle is positioned above the letter "i".

# MAC VIPER XIP

HIGH-OUTPUT, FULL-FEATURED OUTDOOR MOVING HEAD

SPEC SHEET

## TECHNICAL SPECIFICATIONS (Cont.)

### CONSTRUCTION

Housing:	High-impact flame-retardant thermoplastic
Color:	Black
Protection rating:	IP54
RoHS:	Compliant
REACH:	Compliant

### GOBOS

Maximum image diameter:	22 mm (0.866 in.)
External diameter:	27.1 mm +0 / -0.2 mm (1.067 in. +/- in.)
Maximum gobo thickness:	1.1 mm (0.04 in.)
Coating:	Heavy matted aluminum
Material:	Borofloat 33

### INSTALLATION

Mounting points:	2 pairs of 1/4-turn points for 106 mm (4.17 in.) center-to-center omega brackets
Location:	Indoor or Temporary Outdoor use, must be fastened to surface or structure
Orientation:	Any, except with display facing upwards in outdoor application
Minimum distance to:	0.2 m (8 in.) combustible materials
Minimum distance to:	3.25 m (10.7 ft.) illuminated surfaces

### CONNECTIONS

DMX and RDM data in/out:	Neutrik 5-pin locking XLR TOP
AC mains power in/thru:	Neutrik Rean powerCON TRUE1 TOP
Ethernet [Art-Net, sACN and P3] in/out, including fail-safe bypass:	Neutrik etherCON TOP
Firmware from flash memory:	USB 2.0 port
Universal Connect Module Interface:	City Theatrical Multiverse 900 MHz and 2.4 GHz UCM Node

### ELECTRICAL

AC power:	100-240 V AC nominal, 50/60 Hz
Power supply unit:	Auto-ranging electronic switch mode
Typical half-cycle RMS inrush current at 230 V, 50 Hz:	17 A
Typical earth-leakage current:	0.7 mA
Power Factor:	0.99 @ 100 V / 120 V / 208 V / 230 V, 0.98 @ 240 V
Max current draw:	11.0 A @ 100 V / 120 V, 5.2 A @ 200 V, 4.6 A @ 240 V
Typical current draw:	9.5 A @ 100 V, 7.8 A @ 120 V, 4.4 A @ 208 V, 4.0 A @ 230 V, 3.9 A @ 240 V *

#### Power Consumption

Maximum:	1040 W
Typical:	945 W *
Idle:	120 W
Hibernation mode:	TBD W

\* Measurements made at nominal voltage. Allow for a deviation of +/- 10%

Typical: full output white, no effects moving, regulated fan speed.

The MAC Viper XIP is designed for temporary outdoor installation only. Do not use the fixture for permanent outdoor lighting.

HARMAN PROFESSIONAL INC. • 8500 BALBOA BOULEVARD • NORTHRIDGE • CA 91329 • USA • +1 818 893 8411

©2024 HARMAN Professional. All rights reserved. Martin® is a registered trademark of HARMAN Professional Inc. registered in the United States and/or other countries. Features, specifications, and appearance are subject to change without notice.

REV: 20240603

Idle: no output, no effects moving, regulated fan speed.

Hibernation: no output, motors de-energized, fans stopped, wake-up procedure to re-use fixture.

### THERMAL

Cooling:	Forced air (temperature regulated, low noise)
Maximum Ambient Temperature (Ta max):	40° C (104° F)
Minimum Ambient Temperature:	-10° C (14° F) [Ta min] – Warm up condition may apply
Maximum surface temperature, steady state, at 40° C ambient:	80° C (176° F)
Total heat dissipation (calculated, +/- 10%):	3550 BTU/hr.

### ACOUSTIC DATA

Sound Pressure Level (LpA) @ 1 m [default regulated fan mode, full output]:	37.7 dB(A)
Sound Pressure Level (LpA) @ 1 m [constant fan mode ultra low]:	TBD dB(A)

### WARRANTY

Fixture:	2 years
Light Engine:	5 years

### ENVIRONMENTAL (PENDING)

RoHS:	Compliant
REACH:	Compliant
WEEE:	Compliant
Proposition 65:	Compliant
Efficacy (max output):	29.5 lm/w
LWR*:	760 lm/kg (345 lm/lb)

LWR = Lumen-to-Weight Ratio

### APPROVALS (PENDING)

Global CB Certification/IECEE:	IEC 60598-2-17 (IEC 60598-1)
EU safety:	EN 60598-2-17 [EN 60598-1], EN 62471, EN 62493
EU EMC:	EN 55015; EN 55032; EN 55035; EN 61547; EN 61000-3-3
US safety:	UL 1573
US EMC:	FCC Part 15 Class B
Canadian safety:	CSA C22.2 No. 166
Canadian EMC:	ICES-003 Class B, ICES-005 Class B
Australia/NZ:	RCM
United Kingdom:	UKCA



**Martin**®

# MAC VIPER XIP

HIGH-OUTPUT, FULL-FEATURED OUTDOOR MOVING HEAD

SPEC SHEET

## INCLUDED ITEMS

- Two omega brackets with 1/4 turn fasteners for rigging clamp attachment
- Safety and Installation Manual

## RELATED ITEMS

- Martin Companion Cable (for firmware update over DMX): ..... P/N 91616091
- Martin Companion Software (for firmware update over DMX): Free download from [www.martin.com](http://www.martin.com)



## ORDERING INFORMATION - ACCESSORIES

### OPTICAL ACCESSORIES

- MAC Viper XIP Hotspot Filter–Gobo Repl: ..... P/N 91614065HU

### TRANSPORT AND STORAGE

- Flightcase for 1 x MAC Viper XIP: ..... P/N 91515060
- Flightcase for 2 x MAC Viper XIP: ..... P/N91515061
- MAC Viper Flightcase XIP Upgrade Kit ..... P/N91515062
- SIP for MAC Viper XIP ..... MAR-91611863HU

### CONSUMABLES

- Air filter, MAC Quantum / MAC Ultra, set of 12: ..... P/N 50400765
- CR123A 3-volt lithium battery: ..... P/N 05801011

### POWER INPUT CABLES

- Power Input Cable, H07RN-F, 2.5 mm2, bare ends to TRUE1 NAC3FX-W TOP (female), 1.5 m (4.9 ft.) ..... P/N 91611797
- Power Input Cable, H07RN-F, 2.5 mm2, bare ends to TRUE1 NAC3FX-W TOP (female), 5 m (16.4 ft.) ..... P/N 91611786
- Power Input Cable, SJ00W, 12 AWG, bare ends to TRUE1 NAC3FX-W TOP (female), 1.5 m (4.9 ft.) ..... P/N 91610173
- Power Input Cable, SJ00W, 12 AWG, bare ends to TRUE1 NAC3FX-W TOP (female), 5 m (16.4 ft.) ..... P/N 91610174

### POWER INPUT CONNECTOR

- Cable Connector, Neutrik powerCON TRUE1 NAC3FX-W TOP (female): ..... P/N 91611789HU

### INSTALLATION HARDWARE

- G-clamp (suspension with fixture hanging vertically downwards only): ..... P/N 91602003
- Quick Trigger Clamp (suspension with fixture hanging vertically downwards only): ..... P/N 91602007
- Half-coupler Clamp: ..... P/N 91602005
- Safety Cable, SWL 60 kg, BGV C1 / DGUV 17, black: ..... P/N 91604006
- Safety Cable, SWL 60 kg, BGV C1 / DGUV 17, silver: ..... P/N 91604007



FLIGHTCASE FOR 2X MAC VIPER XIP



FLIGHTCASE FOR 1X MAC VIPER XIP

## ORDERING INFORMATION - FIXTURES

- MAC Viper XIP in Cardboard (in cardboard box with EPS, reused material): ..... P/N 90250300HU
- MAC Viper XIP White in Cardboard (in cardboard box with EPS, reused material) ..... P/N 90250310HU
- MAC Viper XIP in SIP (in cardboard box with SIP foam flight case insert): ..... P/N 90250305HU

The MAC Viper XIP is designed for temporary outdoor installation only. Do not use the fixture for permanent outdoor lighting.

HARMAN PROFESSIONAL INC. • 8500 BALBOA BOULEVARD • NORTHRIDGE • CA 91329 • USA • +1 818 893 8411

©2024 HARMAN Professional. All rights reserved. Martin® is a registered trademark of HARMAN Professional Inc. registered in the United States and/or other countries. Features, specifications, and appearance are subject to change without notice.

REV: 20240603

The Martin logo, featuring the word "Martin" in a bold, black, sans-serif font with a yellow triangle above the letter "i".

# MAC VIPER XIP

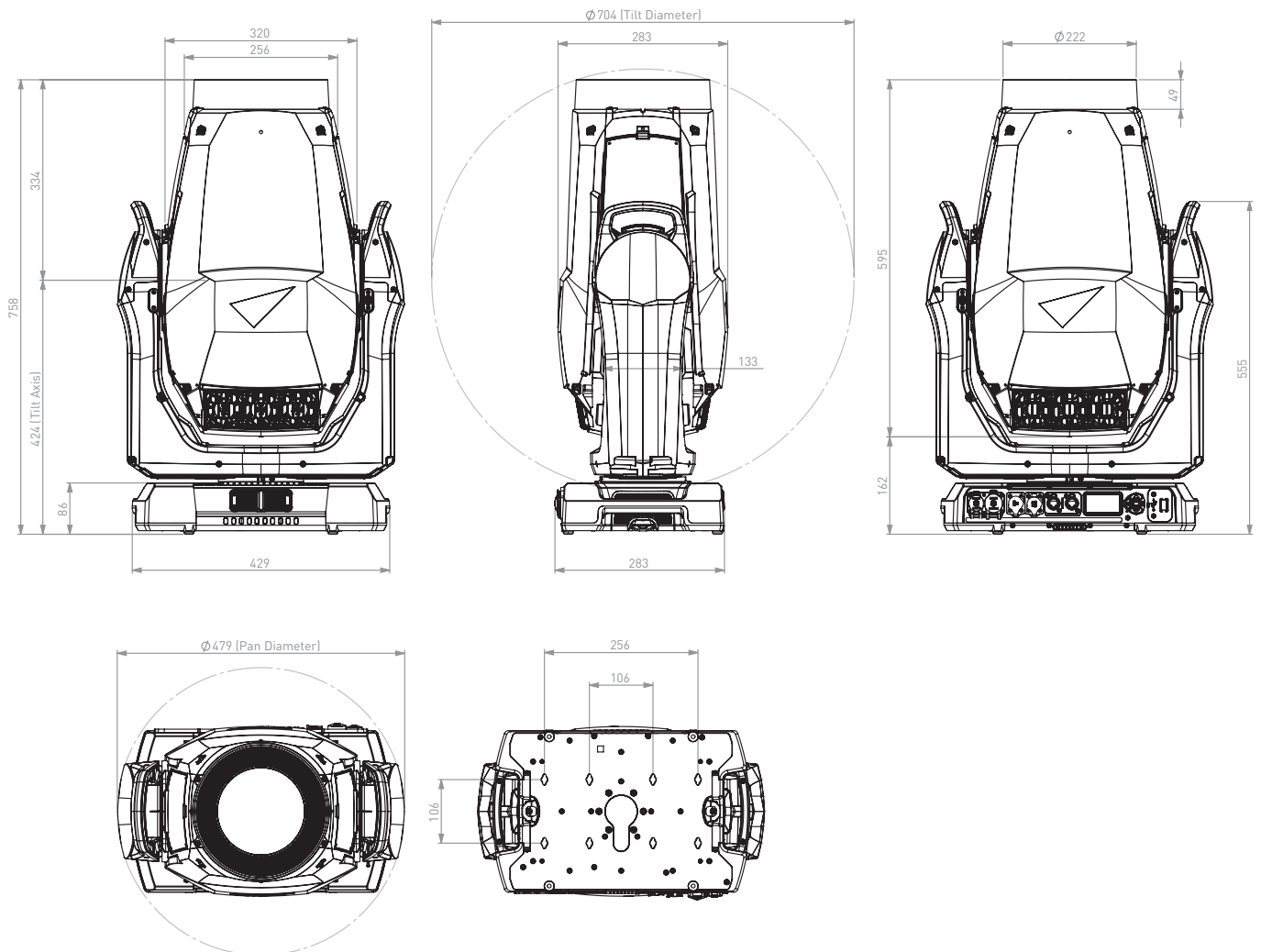
HIGH-OUTPUT, FULL-FEATURED OUTDOOR MOVING HEAD

SPEC SHEET

## DIMENSIONS

### PHYSICAL

Weight:	36.8 kg (81.1 lbs.)
Minimum center-to-center distance in side-by-side installation:	704 mm (27.7 in + Clearance)
Length (head):	594 mm (23.4 in.)
Length (base):	429 mm (16.9 in.)
Width (base):	281 mm (11.1 in.)
Width (across yoke):	479 mm (18.9 in.)
Height (head straight up):	758 mm (29.8 in.)
Height (maximum):	776 mm (30.6 in.)



All dimensions are in mm

The MAC Viper XIP is designed for temporary outdoor installation only.  
Do not use the fixture for permanent outdoor lighting.

HARMAN PROFESSIONAL INC. • 8500 BALBOA BOULEVARD • NORTHRIDGE • CA 91329 • USA • +1 818 893 8411

©2024 HARMAN Professional. All rights reserved. Martin® is a registered trademark of HARMAN Professional Inc. registered in the United States and/or other countries. Features, specifications, and appearance are subject to change without notice.

REV: 20240603

**Martin**®