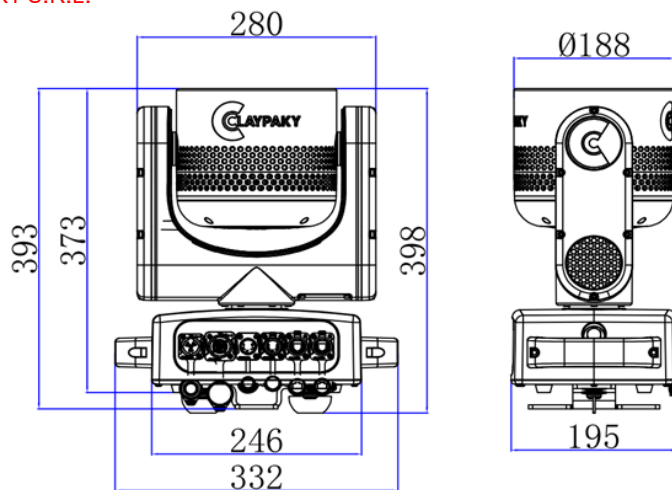


MODEL: MINI-B SPARKY AQUA

August 27, 2024

CODE: CL3034

WARNING: THE INFORMATION IN THIS DOCUMENT IS SUBJECT TO CHANGE WITHOUT NOTICE AND SHOULD NOT BE CONSTRUED AS A COMMITMENT BY CLAY PAKY S.R.L.



#### LIGHT SOURCE:

**Source type:** LED RGBW (330 pcs x 1W)  
**Power:** 250 W  
**Color temp.:** 6400K  
**LED life expectancy:** 50.000 hrs L70\*

\* It may vary depending on various factors, such as the type of use and environment

#### PHOTOMETRIC DATA:

**Aperture:** 120°  
**Lm output:** ≤ 14.000 Lm  
**Optical system:** High efficiency

#### CONTROL & CONNECTIONS:

**Protocols:** DMX, Art-Net, sACN, RDM, Webserver  
**Connectors:** Locking 5 pin XLR IN/OUT; RJ45 IN/OUT  
**Power con.:** PowerCon True 1 IN/OUT  
**Web server:** Built-in  
**CloudIO:** Fully compatible; On-field calibration for color consistency

#### DYNAMIC EFFECTS:

**Colors:** Electronic CTO; Advanced layers management (color, internal shape, pixel mapping); individual control of 10 LEDs areas; pre-programmed shape selection of static and dynamic patterns  
**Movement:** Tilt: 270°; Pan: 540  
**Strobe:** Electronic strobe from 1 to 30 f/sec  
**Dimmer/Shutter:** High speed electronic dimmer – 16 Bit; High speed electronic shutter and strobe

#### HARDWARE & SOFTWARE:

Display graphic LCD backlit B/W display; firmware upload from another fixture, firmware upgrade via Web Server; diagnostic; DMX monitoring; remote access through RDM

#### HOUSING:

Magnesium housing; two-side handles for transportation; IP66 protection rate; working in any position; hanging system with fast-lock Omega clamps (1/4) on the base

#### ELECTRICAL:

**Operating voltage:** 100 – 120 / 200 – 240 V, 50 / 60 Hz  
**MAX power consumption:** 300 W

#### THERMAL SPECIFICATIONS:

---

<b>MAX ambient temperature:</b>	45 °C (113 °F)
<b>Min ambient temperature:</b>	-20 °C (-4 °F)

#### WEIGHT & SIZES:

---

<b>Weight:</b>	12,1 Kg (26,67 lbs)
<b>Base dim.s:</b>	246 x 195 mm (9,7 x 7,7 In)
<b>Height with vert. head (h):</b>	373 mm (14,7 In)

DRAFT