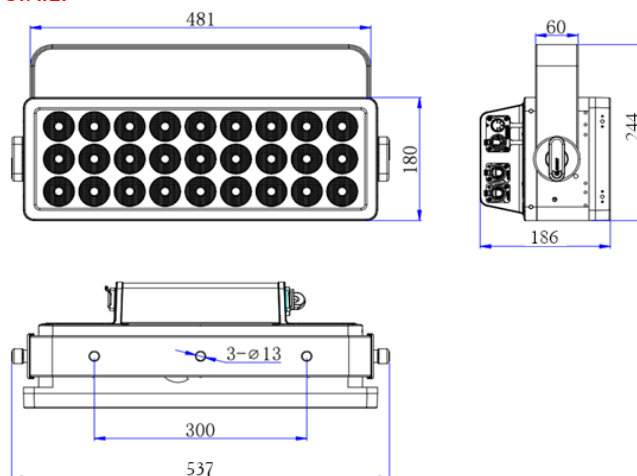


MODEL: TAMBORA RAYS
CODE: CL2025

August 28, 2024

WARNING: THE INFORMATION IN THIS DOCUMENT IS SUBJECT TO CHANGE WITHOUT NOTICE AND SHOULD NOT BE CONSTRUED AS A COMMITMENT BY CLAY PAKY S.R.L.



LIGHT SOURCE:

Source type:	27 LEDs RGBWW x 40W
Power:	815 W
Color temp.:	3103 K
CRI:	Up to 77
LED life expectancy:	50.000 Hrs L70*
<i>* It may vary depending on various factors, such as the type of use and environment</i>	

PHOTOMETRIC DATA:

Aperture:	7°
Lm output:	19000 Lm (integrating sphere)

CONTROL & CONNECTIONS:

Protocols:	DMX, Art-Net, sACN, RDM, Webserver
Connectors:	Locking 5 pin XLR IN/OUT, RJ45 IN/OUT
Power con.:	PowerCon True1 IN/OUT
Web server:	Built-in
CloudIO:	Fully compatible; On-field calibration for color consistency

DYNAMIC EFFECTS:

Colors:	Advanced layers management (color, internal shape, pixel mapping (3 x 9)); individual control of 27 LEDs; pre-programmed shape selection of static and dynamic patterns
Strobe:	Electronic strobe from 1 to 30 f/sec
Dimmer/Shutter:	High speed electronic dimmer – 16 Bit; High speed electronic shutter and strobe

HARDWARE & SOFTWARE:

Display graphic LCD backlit B/W display; firmware upload from another fixture, firmware upgrade via Web Server; diagnostic; DMX monitoring; remote access through RDM

HOUSING:

Magnesium housing; one handle for transportation; IP66 protection rate; working in any position; hanging system with fast-lock Omega clamps (1/4) on the base

ELECTRICAL:

Operating voltage:	100 – 120 / 200 – 240 V, 50 / 60 Hz
MAX power consumption:	850 W

THERMAL SPECIFICATIONS:

MAX ambient temperature:	45 °C (113 °F)
Min ambient temperature:	-20 °C (-4 °F)

WEIGHT & SIZES:

Weight:	10,3 Kg (22,7 lbs)
Dim.s without handle:	497 x 180 x 186 mm (19,56 x 7,08 x 7,32 In)
Dim.s with handle:	537 x 180 x 244 mm (21,14 x 7,08 x 9,60 In)

DRAFT