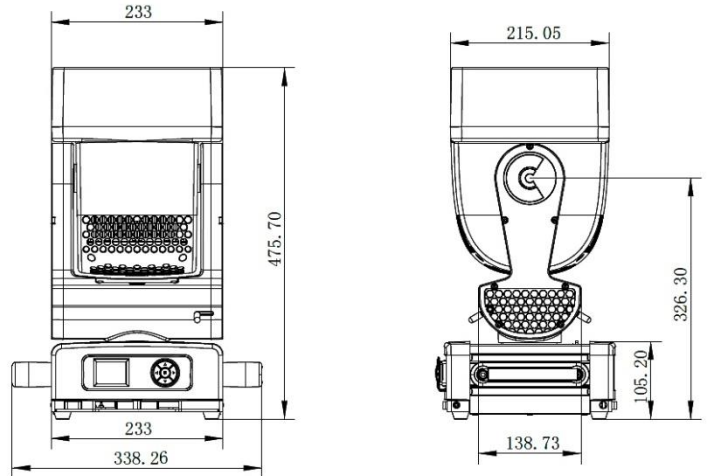


MODEL: VOLERO CUBE

CODE: CL3031

September 2, 2024

WARNING: THE INFORMATION IN THIS DOCUMENT IS SUBJECT TO CHANGE WITHOUT NOTICE AND SHOULD NOT BE CONSTRUED AS A COMMITMENT BY CLAY PAKY S.R.L.



LIGHT SOURCE:

Source type:

- 4 LED RGBW (x 60W)
- 64 LED White (x 10W)

Power:

- 240 W

Color temperature:

- 2500 to 8000 K

CRI:

- ≤ 70

LED life expectancy:

- 50.000 Hrs L70*

* It may vary depending on various factors, such as the type of use and environment

PHOTOMETRIC DATA:

Zoom range:

- 4° - 55°

Front lens:

- Ø 187 x 187 mm

Optical syt.:

- High efficiency

CONTROL & CONNECTIONS:

Personalities:

- 3 modes with 22 / 41 / 45 control channels
- Pixel engine: with 16 channels
- Strobe engine: with 8 channels

Protocols:

- DMX, Art-Net, sACN, RDM

Connectors:

- Locking 5 pin XLR IN/OUT
- RJ45 IN/OUT

Power con.:

- PowerCon True1 IN/OUT

Web server:

- Built-in

CloudIO:

- Fully compatible
- On-field calibration for color consistency

DYNAMIC EFFECTS:

Colors:

- Electronic CTO 2500 – 8000K
- Advanced layers management (color, internal shape, pixel mapping + strobe)
- Individual LED control of four central RGBW LEDs
- Pre-programmed shape selection of static and dynamic patterns, adjustable in color, speed, direction, fade, and strobe

- Movement:**
- Tilt: 194°
 - Pan: 540°
 - Mechanical Pan lock for safe transportation and maintenance
- Beam:**
- Motorized zoom
- Dimmer / Shutter:**
- High resolution electronic dimmer
 - Electronic strobe 25 f/sec
 - High speed electronic shutter and strobe

HARDWARE & SOFTWARE:

- Long life self-charging battery
- Display graphic LCD backlit B/W display
- Firmware upload from another fixture
- Firmware upgrade via Web Server
- Diagnostic
- DMX monitoring
- Remote access through RDM

HOUSING:

- Magnesium housing
- Two side handles for transportation
- IP66 protection rate
- Working in any position
- Hanging system: with fast-lock Omega clamps (1/4) turn on the base
- Optional safety chain

ELECTRICAL:

- Operating voltage:**
- 100-120 / 200-240V, 50/60 Hz
- Power Supply:**
- Electronic auto range with active PFC
- MAX power consumption:**
- 500 W

THERMAL SPECIFICATION:

- MAX Ambient temperature:**
- 45°C (113°F)
- Min Ambient Temperature:**
- -20°C (-4°F)

SAFETY SPECIFICATIONS:

- Protections:**
- Thermally protected power supply (overheating and cooling failure)
 - Forced ventilation with axial fans
 - 6.3A 250V fuse

COMPLIANCE (EXPECTED):

CE Marking (in conformity to the following):

- 2014/35/EU - Low Voltage Directive (LVD)
- 2014/30/EU - Electromagnetic compatibility (EMC)
- 2011/65/EU - Restriction of the use of certain hazardous substances (RoHS)
- 2009/125/EC - EcoDesign requirements for Energy-related Products (ErP)

UKCA conforms to UK regulations:

- S.I. 2017 N.1206
- S.I. 2012 N.3032
- S.I. 2021 N.745

cMETus LISTED:

- UL 1573:2003
- CSA C22.2 N.166:2015

PACKAGING:

- Carton box + Foam shell
- Flight case + Foam shell

WEIGHT & SIZES:

- Weight:**
- 16 Kg (35.3 lbs)
- Base dim.s:**
- 233 x 338 mm
 - 91.7 x 133,1 In
- Height with vert. head (h):**
- 475 mm
 - 187 In