

HID

# FollowSpot HID 1200W

## 19° ÷ 27°

cod. TH1337



### FEATURES:

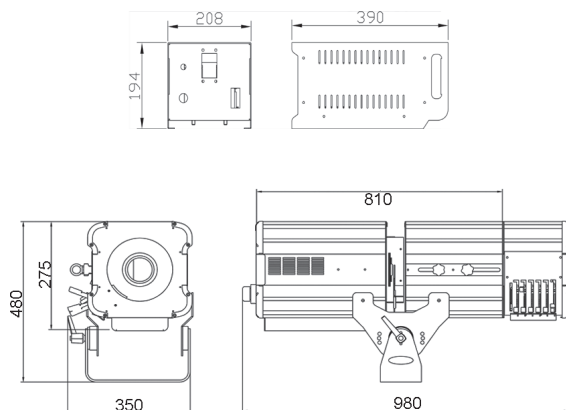
- Follow spot 1200W 19°-27°
- For MSD/MSR 1200W G22 socket lamp (612LA)
- Color temperature 6000 K
- Input: 230Vac 50/60Hz 8A
- Optics with 4 lens, high performance double condenser optical system
- Adjustable zoom from 19° to 27°
- Manual zoom and focus
- Mechanical blackout
- Iris accessory included (AC837)
- Profile system with 4 steel shutter blades included
- Color holder for 6 filters included
- Gobo holder optional (AC819)
- Aluminium and steel plate body. Scratch resistant black epoxy powder paint
- External ballast
- IP20
- Insulation calss I



Followspot 1200 19°-27° for G22 1200W MSD/MSR lamp, flat field projection, ideal for use in medium-large-scale venues. It features a user friendly side and back handle, strong mechanics with extruded aluminium and steel plate body.

Excellent light beam thanks to high-quality optics by Arena Luci, with adjustable double condenser lens system. Suitable for theaters, television studios and photographic studios.

Adjustable beam opening from 19° to 27° through the lens slide, perfect focus with the same system and adjustment of softness of beam boundary. Iris is included, profile system with four steel shutter blades is included, mechanical blackout integrated, color holder for 6 filters is included. Optional Gobo holder (AC819).



	5m	10m	15m	20m	25m
LUX 19°	13818	3455	1535	864	553
LUX 27°	5088	1272	565	318	204
Ø	2,4m	4,8m	7,2m	9,6m	12,0m
Ø	1,67m	3,35m	5,02m	6,69m	8,37m

Arena Luci s.r.l. si riserva la facoltà di modificare le caratteristiche dei prodotti senza obbligo di preavviso  
 Arena Luci s.r.l. reserve the right to change products specifications at anytime without prior notice