

HID

FollowSpot HID 2500W

5° ÷ 9°

cod. TH1340



FEATURES:

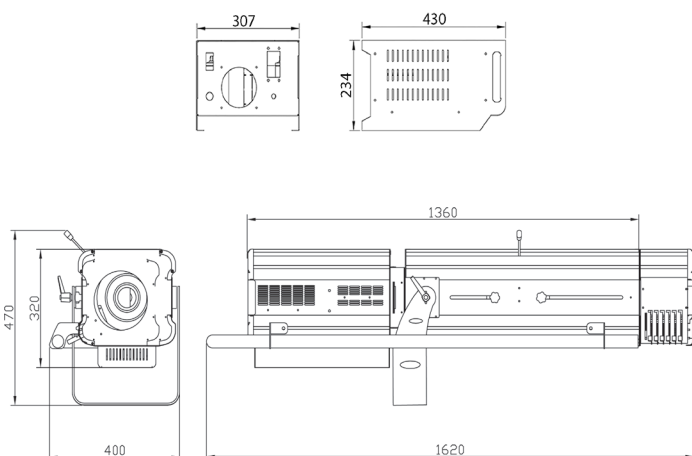
- Follow spot 2500W 5°-9°
- For HMI 2500W G38 socket lamp (537LA)
- Color temperature 6000 K
- Input: 230Vac 50/60Hz 15A
- Optics with 4 lens, high performance double condenser optical system
- Adjustable zoom from 5° to 9°
- Manual zoom and focus
- Linear mechanical dimmer 5-100%
- Mechanical blackout
- Iris accessory included (AC837)
- Profile system with 4 steel shutter blades included
- Color holder for 6 filters included
- Gobo holder optional (AC819)
- Aluminium and steel plate body. Scratch resistant black epoxy powder paint
- External ballast
- IP20
- Insulation class I



Followspot 2500W 5°-9° for G38 2500W HMI lamp, flat field projection, ideal for use in large-medium-scale venues. It features a large user friendly side handle, strong mechanics with extruded aluminium and steel plate body.

Excellent light beam thanks to high-quality optics by Arena Luci, with adjustable double condenser lens system. Suitable for theaters, television studios and photographic studios.

Adjustable beam opening from 5° to 9° through the lens slide, perfect focus with the same system and adjustment of softness of beam boundary. Iris is included, profile system with four steel shutter blades is included, variable dimmer from 5 to 100%, mechanical blackout integrated, color holder for 6 filters is included. Optional Gobo holder (AC819).



LUX 5°	178880	44720	19876	11180	7155	4969	3651	2795	2208	1788
LUX 9°	81920	20480	9102	5120	3277	2276	1672	1280	1011	819
0	5m	10m	15m	20m	25m	30m	35m	40m	45m	50m
∅	0,79m	1,57m	2,36m	3,15m	3,49m	4,72m	5,51m	6,3m	7,08m	7,87m
∅	0,44m	0,87m	1,31m	1,75m	2,18m	2,62m	3,06m	3,49m	3,93m	4,37m

Arena Luci s.r.l. si riserva la facoltà di modificare le caratteristiche dei prodotti senza obbligo di preavviso
 Arena Luci s.r.l. reserve the right to change products specifications at anytime without prior notice