

# P3-150 System Controller

MID RANGE P3 LED VIDEO CONTROLLER

SPEC SHEET

## HIGHLIGHTS

- Compact and ergonomic LED Video Controller
- Compatible with all Martin Creative LED products and P3-enabled MAC moving heads
- Integration with lighting controls (DMX, Art-Net, sACN) and automation systems
- Drive connected fixtures with video input, DMX controls or a mix of both



## OVERVIEW

The P3-150 System Controller is a user-friendly and reliable unit driving video and DMX controls into the entire Martin range of Creative LED products and P3-enabled MAC moving heads. It controls systems of up to 520,000 pixels, takes DVI video input, DMX input, Art-Net input and sACN input.

## KEY MESSAGES

### ONE VISUAL CANVAS

P3 brings creative LED and lighting fixtures together onto one visual canvas; allowing all to be treated as one and to prevent the need for dedicated control solutions for each of the different products.

### SIMPLICITY TO ENABLE CREATIVITY

The P3 ecosystem removes the need for manual addressing and external computers for setup, while featuring an ergonomic user interface. Mapping and scaling is automated to give you more time to be creative, even beyond the limitations of full HD.

### CREATE LOOKS THE WAY YOU WANT

P3 offers the freedom to use the most suited tool for each vision. Whether using video content, traditional DMX controls, Art-Net / sACN PixelMapping (up to 128 universes), or a mix of control methods, you can achieve uniquely creative looks for each application.

### OPTIMAL PERFORMANCE

All P3-enabled products feature advanced colour & brightness calibration & colour-matching between fixture types. The entire system is fully synchronized, ensuring all elements work cohesively without visible latency.

### FULL CONTROL AND PREVIEW

P3 System Controllers give you full control over your system from one central location, eliminating the need to address fixtures locally. And, real-time preview shows you how DMX controls and video will be rendered on the fixtures.

### FREE PC-BASED SOLUTION

The free P3-PC System Controller solution allows you to get started easily. It can be used as a basic mapping tool; addressing tool; Art-Net / sACN to P3 bridge; or as a full P3 control solution - mixing lighting controls and video content into fixtures.

# P3-150 System Controller

MID RANGE P3 LED VIDEO CONTROLLER

SPEC SHEET

## FEATURES

- Drives up to 520.000 pixels
- Built-in scaler and mapper
- DVI-D input up to 1920x1080
- Built-in GUI (Graphical User Interface) including easy setup wizards
- Real time visualization of the video mapping within the GUI (Graphical User interface)
- Most user-friendly LED Video processor on the market
- Compatible with all Martin Creative LED products and P3-enabled MAC moving heads
- Integration with lighting controls (DMX, Art-Net & sACN) and automation systems
- All connected products report status and problems back to the controller for easy monitoring and maintenance
- Showfiles compatible with all products within the P3 System Controller family (including the P3-PC offline editor)
- Connected fixtures can cross-fade or toggle in real-time between video-mapping and DMX (pixel-mapping) control

## ORDERING INFORMATION

- Martin P3-150 System Controller..... P/N 90721015

### INCLUDED ITEMS

- EU-type power cable with Schuko connector
- US-type power cable
- UK-type power cable

### RELATED ITEMS

- Martin P3-050™ System Controller.....P/N 90721090
- Martin P3-300™ System Controller.....P/N 90721060
- Martin P3-PC™ System Controller....Free download from martin.com

## P3 SYSTEM CONTROLLER COMPARISON

	P3-050 System Controller	P3-150 System Controller	P3-300 System Controller	P3-PC System Controller
Video Input	1x DVI-D up to 1920x1080	1x DVI-D up to 1920x1080	1x DVI-D up to 1920x1080 2x SDI up to 3G-SDI 1x Genlock	NDI, Screen-capture or Media Server Integration
DMX Input	1 universe DMX 128 universes Art-Net / sACN	1 universe DMX 128 universes Art-Net / sACN	1 universe DMX 64 universes Art-Net / sACN	128 universes Art-Net / sACN
P3 Output	1 network with up to 100.000 pixels worth of fixtures	1 network with up to 520.000 pixels worth of fixtures	4 networks with up to 2.080.000 pixels worth of fixtures	1 network with up to 20.736 pixels worth of fixtures
Form-Factor	1U 19" rackmount	1U 19" rackmount	2U 19" rackmount	Software installed on customer-supplied Windows computer
Remote Management	Yes, internal webpages and syslog	Yes, internal webpages and syslog	Yes, internal webpages and syslog	No

Please consult P3 System Controller Capacity Info Note for more details

# P3-150 System Controller

MID RANGE P3 LED VIDEO CONTROLLER

SPEC SHEET

## TECHNICAL SPECIFICATIONS

### CONTROL/USER INTERFACE

User interface..... SXGA (1280 x 1024) or better monitor (VGA, DVI, HDMI or DP), USB keyboard, USB mouse

Device status..... Status indicator LEDs

### DVI VIDEO INPUT

Supports all resolutions up to 1920x1080

Supports both RGB and YCbCr, progressive scan only

### VIDEO PROCESSING

Controller pixel processing capacity: ..... 520,000 pixels (expandable by adding P3-150s)\*

Controller fixture capacity:..... 2000 fixtures (expandable by adding P3-150s)\*

Maximum workspace area: ..... 2,073,600 pixels

Maximum active capture area:..... 2,073,600 pixels

System processing depth: ..... 16 bits per colour (48 bits per pixel)

System latency, DVI: ..... 2 frames

Latency between first and last fixture:..... None

Scaling (global and mixed pixel pitch)

Gamma curve selection and adjustment

Control of brightness, contrast and low light

Real-time content remapping

Real-time colour temperature and colour space control

Real-time preview of video input and mapping canvas

\*See also P3 System Controller Capacity Info Note on Support & Downloads page

### DMX CONTROLS

One line of DMX input\*

Up to 128 universes of Art-Net and/or sACN input\*

Control of intensity and colours

Control of colour temperature

Merge video input with DMX controls towards fixtures

Cross-fade or toggle between video and DMX controls

Freeze, blackout or activate testpatterns on video engine

Recall video presets (video settings, fixture positions and more)

\*See also P3 System Controller Capacity Info Note on Support & Downloads page

### MOTION CONTROLS

One universe of DMX, Art-Net, sACN or Kinesys K2\*

Compatible with Kinesys K2, Tait Navigator and others

Control fixture or group position on video canvas

Control fixture or group rotation on video canvas

\*See also P3 System Controller Capacity Info Note on Support & Downloads page

### P3 SIGNAL PROTOCOL

Signal type..... Gigabit Ethernet

Protocol..... Proprietary Martin P3

Hot pluggable..... Yes, electrically isolated at all connections

Cable type..... Ethernet, shielded, CAT 5e or better

Cable length..... Up to 100 m between any 2 devices, extendable with Ethernet switch

Maximum number of fixtures per line..... 50, extendable with Ethernet switch

### CONSTRUCTION

Housing..... Steel and aluminum

Colour..... Matte black

Protection rating..... IP20

### INSTALLATION

Mounting..... 19-inch rackmount (1U) or free-standing

### CONNECTIONS

Power input..... IEC socket with integrated power switch

P3 data in/out..... etherCON socket

Network (remote management, Art-Net, sACN and Kinesys K2/Vector)..... etherCON socket

DVI video in..... DVI-D (via DVI-I connector)

DVI video thru..... DVI-D (via DVI-I connector)

DMX in..... 5-pin locking XLR

DMX thru..... 5-pin locking XLR

Peripherals and USB memory devices.. 4 x USB 2.0 ports

User interface monitor..... DisplayPort++ (compatible with adapters to DVI, HDMI and VGA, not included)

### ELECTRICAL

AC power..... 100-240 V, 47-63 Hz

Power supply unit..... Integrated, universal multi-voltage

### THERMAL

Cooling..... Forced air

Maximum ambient temperature..... 50° C (122° F) (Ta max.)

Minimum ambient temperature..... 0° C (32° F) (Ta min.)

Total heat dissipation ..... 685 BTU/hr. (calculated, +/- 10%)

### APPROVALS

EU safety..... EN 60950-1

EU EMC..... EN 55022, EN 55024, EN 61000-3-2, EN 61000-3-3, EN 6100-4-2, EN 6100-4-3, EN 6100-4-4, EN 6100-4-5, EN 6100-4-6, EN 6100-4-11

US safety..... ANSI/UL 60950-1

Canadian safety..... CAN/CSA C22.2 No. 60950-1



# P3-150 System Controller

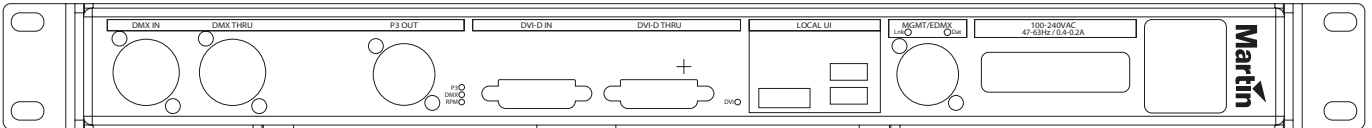
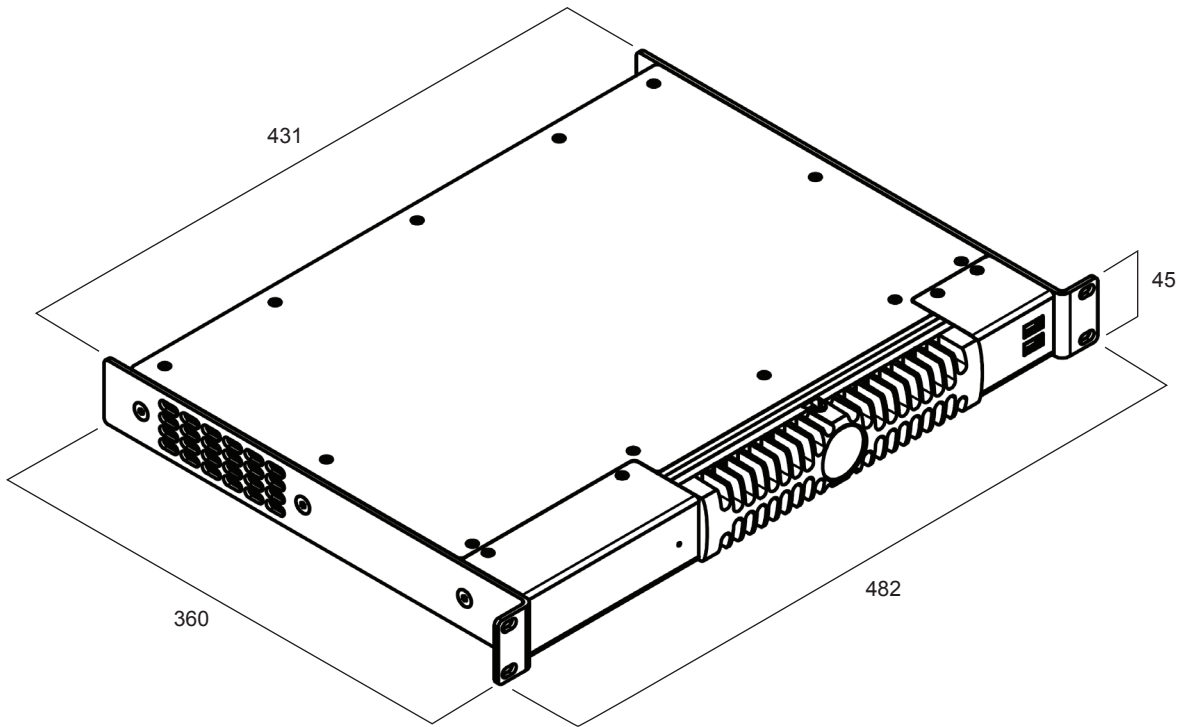
MID RANGE P3 LED VIDEO CONTROLLER

SPEC SHEET

## DIMENSIONS

### PHYSICAL

- Width..... 482 mm (19.0 in.)
- Height..... 45 mm (1.8 in.) rackmount 1U
- Depth..... 360 mm (14.2 in.)
- Weight..... 3.0 kg (6.7 lbs.)



All dimensions are in mm